

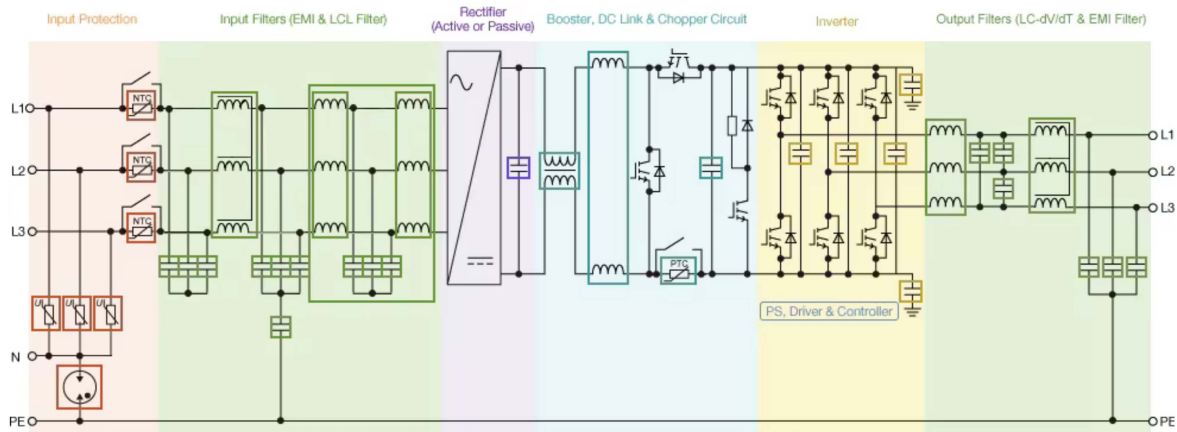


Industrial & Energy

Variable Frequency Drives

TDK offers an extensive range of electronic components for Variable Frequency Drives.

Input Protection Leaded Disk Varistors ThermoFuse Varistors NTC Inrush Current Limiters Surge Arresters	Rectifier (Active or Passive) Metallized Polypropylene Capacitors (Film Capacitors)	Booster, DC Link & Chopper Circuit Power Line Chokes PTC Inrush Current Limiters Multi-pin Capacitors (Aluminium Electrolytic Capacitors) Metallized Polypropylene Capacitors (Film Capacitors) Power Capacitors (Film Capacitors) ModCap™ (Film Capacitors)	Inverter DC Reactor (Contact us) Capacitor with Screw Terminal (Aluminum Electrolytic Capacitors) Snap-in Capacitors (Aluminum Electrolytic Capacitors) CeraLink® Capacitors Power Capacitors for High Power (Film Capacitors)	Inverter NTC Elements EMC Suppression Capacitors (Film Capacitors) for Snubber Circuit Metallized Polypropylene Capacitors (Film Capacitors) CeraLink® Capacitors
--	---	---	--	--



Input Filters (EMI & LCL Filter) for LC & LCL Filter AC Film Capacitors incl. Motor Run (Film Capacitors) Reactors for Power Electronics for EMI Filter EMC Suppression Capacitors (Film Capacitors) Power Line Chokes Ferrite Cores (Toroid Cores)	Output Filters (LC-dV/dT & EMI Filter) Metallized Polypropylene Capacitors (Film Capacitors) LCL Filters Disc Type Capacitors with Lead LeaXield™ Active Leakage Current Filters	PS, Driver & Controller Inductors Pulse Transformers and Modules for LAN Transformers for DC-DC Converters Disc Type Capacitors with Lead Power Line Chokes Multilayer Ceramic Chip Capacitors Transformers for IGBT/FET EMC Suppression Capacitors (Film Capacitors) NTC Sensor Assembly/Systems
---	---	---

Application Guides

- Information & Communication Technology >
- Automotive >
- Industrial & Energy >
- Consumer Electronics >