

# Infineon drive systems solutions

Explore Infineon's variety of innovative power semiconductors which enable designers to develop highly reliable and efficient solutions for all kinds of drive applications.



[www.infineon.com](http://www.infineon.com)



# Contents

<b>1.0 Introduction</b>	<b>3</b>
<b>2.0 Battery powered drives</b>	<b>4</b>
2.1 Consumer robotics	5
2.1.1 Multicopters	5
2.1.2 Service robotics	7
2.2 Home and professional use	9
2.3 Light electric vehicles	11
<b>3.0 Home and building automation</b>	<b>13</b>
3.1 CIPOS™ family	13
3.1.1 CIPOS™ Nano	14
3.1.2 CIPOS™ Micro	15
3.1.3 CIPOS™ Mini	16
<b>4.0 Motor control and drives</b>	<b>17</b>
4.1 Industrial drives (IGBT discrete)	17
4.1.1 Automation, axis control and industrial robots	17
4.1.2 Industrial power machines	18
4.2 Industrial drives (module)	19
4.2.1 Easy family	20
<b>5.0 Wireless charging</b>	<b>22</b>

# 1.0 Introduction

We live in a mobile world filled with electrical devices. From the mobile phone in our pocket to the new EV car in our garage, our environment is becoming more and more automated and power hungry by the day. Innovations in consumer-grade robots are giving us robots that can mow our lawns or clean our homes. Highly efficient electric motors are replacing the traditional motors in home appliances, automobiles, and industry. The demand for light electric vehicles such as e-scooters and pedelecs is increasing exponentially. Multicopter technology is evolving at an incredible pace. Behind all of this innovation, a wireless charging revolution is changing how we power these devices and motors that surround us.

As these products evolve and improve, there is an increasing need for designers and engineers to find solutions that are more efficient, smaller, and less costly than ever before. Infineon's broad portfolio of semiconductor solutions including MOSFETs, drivers, microcontrollers, sensors, intelligent power modules, transistors, and security are exactly what is needed for the compact, cost effective designs of today, and for the innovative designs of tomorrow.






# 2.0 Battery powered drives

Superb performance for battery powered motor drives

Infinion's wide variety of high quality state-of-the-art high quality power semiconductors are built upon industry-leading technologies and manufacturing expertise. The comprehensive portfolio of power semiconductors enables engineers and designers to develop highly reliable and efficient solutions for a wide range of battery powered motor drive applications such as multicopters, service robotics, power tools, forklifts, and various light electric vehicles including e-skateboards, e-scooters, pedelecs, and low speed cars.

Infinion offers an excellent selection of devices for power management and power consumption, as well as voltage regulation – such as power MOSFETs (e.g. OptiMOS™ and CoolMOS™), XMC™ microcontrollers, gate driver ICs and more. To find the right fit for your application, take a look at Infinion's solution matrix!

	Consumer robotics 	Home and professional 	Light electric vehicles 
MOSFETs	StrongIRFET™ 20 V-300 V		
	OptiMOS™ 25 V-80 V		OptiMOS™ 80 V-300 V
	CoolMOS™ P7 (standard grade) <sup>1</sup>		CoolMOS™ P7 (industrial grade) <sup>1</sup>
Gate driver ICs	EiceDriver™/Half-bridge and three-phase gate driver ICs		
	200 V to 600 V gate driver ICs		
IPM	CIPOS™ Nano		
Microcontrollers	XMC1300/XMC1400		
	iMOTION™	XMC4500/XMC4400	
Microcontroller & driver support	Linear voltage and DC-DC switching regulators		
CAN transceivers	IFX1050, IFX1051		
Magnetic sensors	Hall and xMR sensors		
Authentication	OPTIGA™ Trust B		

<sup>1</sup> If the necessary package/ $R_{DS(on)}$  combination is not available in the new CoolMOS™ P7 series yet, the previous CoolMOS™ CE and P6 series are the preferred series

## 2.1 Consumer robotics

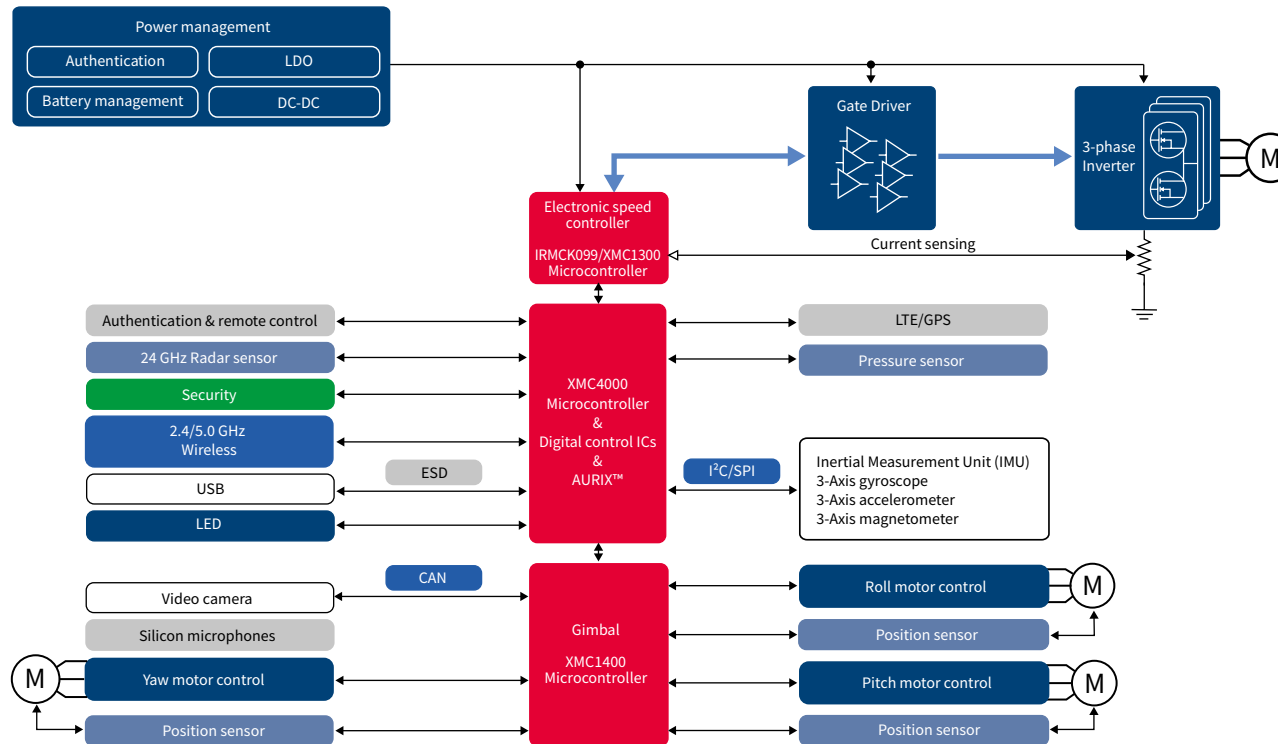
The fastest growing segment of the whole robotics market

### 2.1.1 Multicopters

Cost-effective system solutions

One of the largest growth segments of the consumer robotics marketplace is in multicopters. Core multicopter features such as camera applications, autonomous flight, and sophisticated on-board equipment is pushing the limits of performance, efficiency, and control. From XMC™ microcontrollers and iMOTION™ motor control ICs to magnetic sensors, Infineon offers a comprehensive system solution portfolio of high quality products well suited for multicopter designs.

Application example block diagram - multicopter



## Solution tree for multicopters

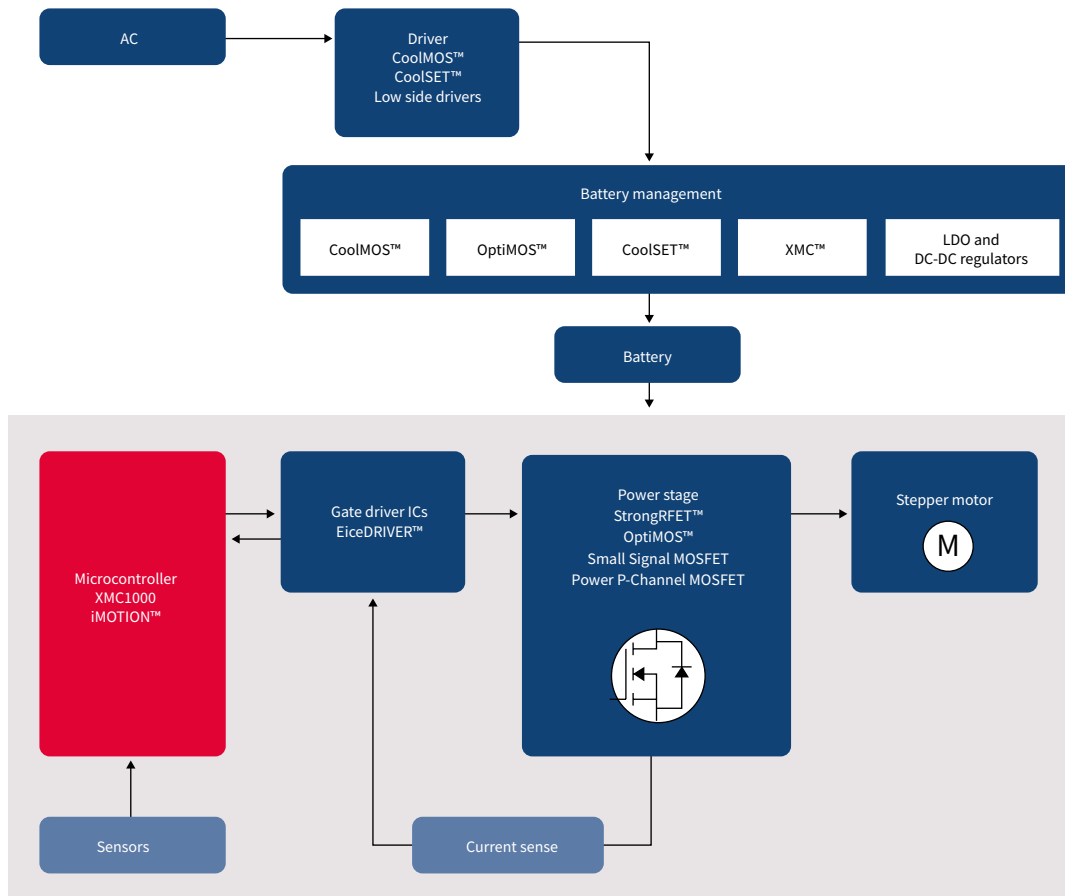
Flight control					ESC		
<b>Microcontrollers</b> > XMC4000 family > XMC1000 family > AURIX™	<b>Sensors</b> > Pressure sensor: DPS310 > 24 GHz radar sensor: BGT24MTR11, BGT24MTR12 > Current sensor: TLI4970 > ToF imager: IRS1645C	<b>DC-DC modules</b> > IFX90121ELV50 > IFX91041EJV33 > IFX91041EJV50	<b>LDO</b> > IFX1117ME > IFX54441EJV > IFX1763XEJV33	<b>Low noise amplifier (LNA)</b> > LTE: BGA7H, BGA7M, BGA7L > GPS: BGA524N6, BGA824N6 > Wi-Fi: BFP842ESD, BFR840L3RHESD, BFR843L3, etc.	<b>Microcontrollers</b> > XMC1300 family > iMOTION™ IRMCK099 > ePOWER: TLE9879QXA40	<b>Sensors</b> > Hall sensor: TLI4961, TLI4961 > Angle sensor: TLI5012B, TLE5009	<b>Intelligent power modules</b> > IRSM005-800MH > IRSM836-084MA
<b>Security</b> > OPTIGA™ Trust E SLS32AIA > OPTIGA™ Trust P SLJ52ACA > OPTIGA™ TPM SLB96XX	<b>Accessory authentication</b> > OPTIGA™ Trust SLS10ERE > OPTIGA™ Trust B SLE95250	<b>Joystick</b> > 3D magnetic sensor: TLV493D	<b>Interface protection diodes</b> > ESD102 series	<b>LED drivers</b> > BCR450 > BCR321U > BCR421U	<b>MOSFET gate drivers</b> > 6EDL04N02PR > 2EDL05N06PF > IRS2005/7/8 > IRS2301 > IRS2136 > IRS21867 > IRS2334	<b>Dual n-channel power MOSFETs</b> > IR3742, etc. > BSC0925ND, etc.	<b>Low voltage MOSFETs</b> > OptiMOS™ 5 series > StrongIRFET™ series
Charger			Battery management				
<b>High voltage MOSFETs</b> > 600 V-650 V CoolMOS™ CE > 600 V CoolMOS™ P7 (standard grade)	<b>Low voltage MOSFETs</b> > OptiMOS™ 5 40 V-80 V in TO-220, SuperSO8 > StrongIRFET™ 40 V-75 V	<b>Stand alone PWM controllers</b> > ICE2QS03G	<b>Authentication ICs</b> > OPTIGA™ Trust B SLE95250	<b>Cell balancing</b> > OptiMOS™ 30 V in SS08, S308, DirectFET™ > StrongIRFET™ 30 V	<b>Low voltage MOSFETs</b> > OptiMOS™ 5 in SuperSO8, S308, DirectFET™ > StrongIRFET™ 40 V-80 V > OptiMOS™ LinearFET		
Gimbal control							
<b>Microcontrollers</b> > XMC1400 family	<b>Angle sensors</b> > TLI5012B > TLE5009	<b>LDO</b> > IFX1117ME > IFX54441EJV > IFX1763XEJV33	<b>CAN transceiver</b> > HS CAN IFX1050G > IFX1050GVIO	<b>Silicon microphones</b> > XENSIV™ IM69D family	<b>Low voltage MOSFETs</b> > OptiMOS™ 5 25 V-30 V > StrongIRFET™ 25 V-30 V > P-channel MOSFETs	<b>Dual n-channel power MOSFETs</b> > IRFHM8363TRPBF, etc.	<b>MOSFET gate drivers</b> > 6EDL04N02PR > 2EDL05N06PF > IRS2005/7/8 > IRS2301 > IRS2136 > IRS21867 > IRS2334

## 2.1.2 Service robotics

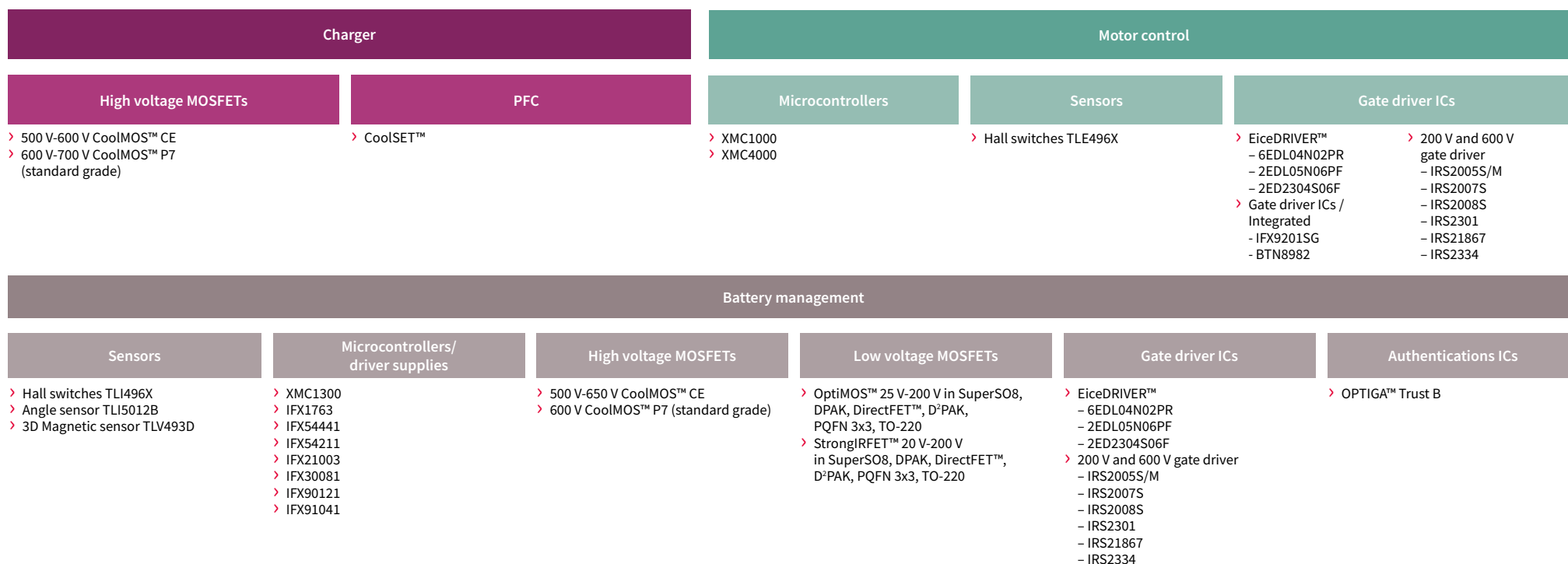
### Powerful and quiet solutions

Service robotics is a high growth market segment with an estimated 15 percent compound annual growth rate within the next 5 years. The primary focus of this growth is in two key areas, electric vacuum cleaners and lawn mowers. High performance Infineon components such as low  $R_{DS(on)}$  MOSFETs, powerful microcontrollers, and sensors can be used to develop solutions with high power density, reduced weight, and low noise.

#### Application example block diagram - service robotics



## Solution tree for service robotics (vacuum cleaners and lawn mowers)



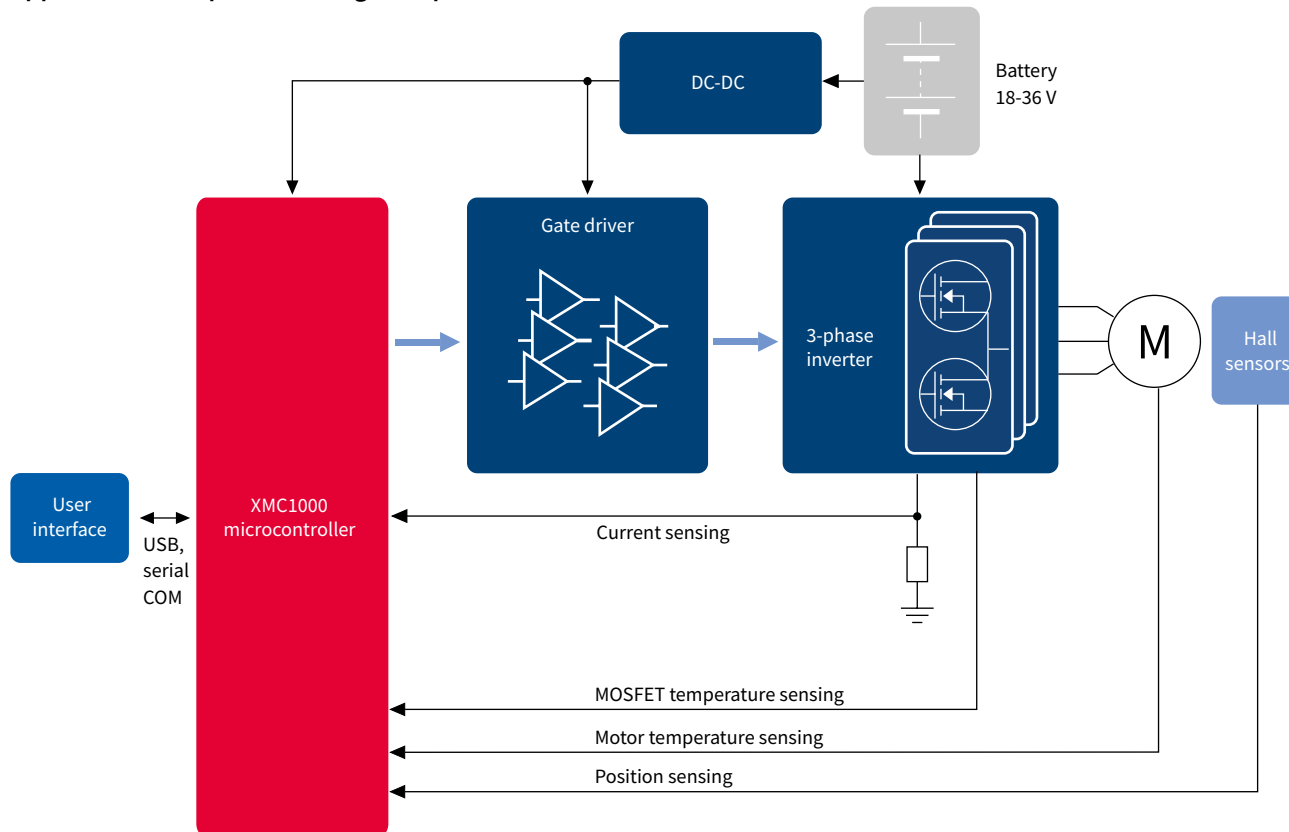


## 2.2 Home and professional use

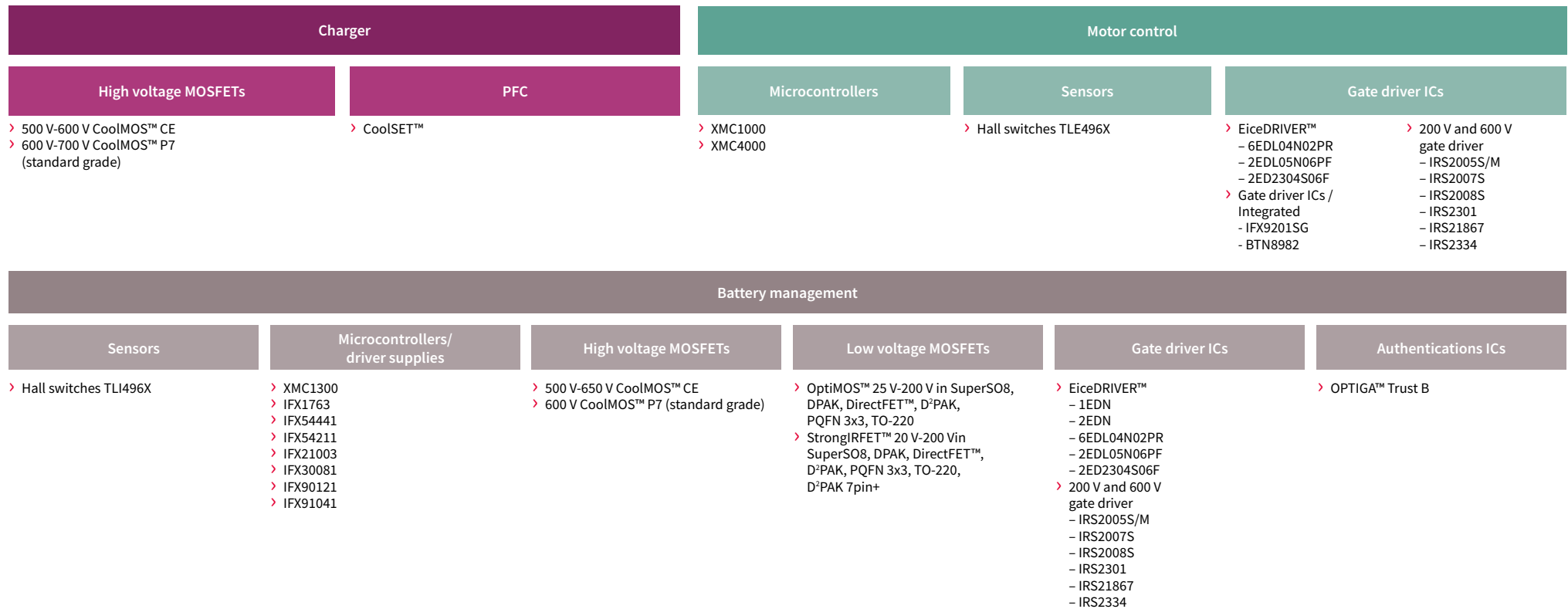
Highest power density and system efficiency

Cordless power tools are major part of the rapidly growing electric tool market. The convenience and safety of lightweight and low-voltage cordless power tools benefits both professional and private users. Depending on the topology, cordless power tools require either space-optimized designs or cost-optimized solutions. Infineon offers a complete portfolio of reliable, high performance MOSFETs, drivers, microcontrollers, and sensors which can be used for both space and cost optimized designs.

Application example block diagram - power tool



## Solution tree for power tools

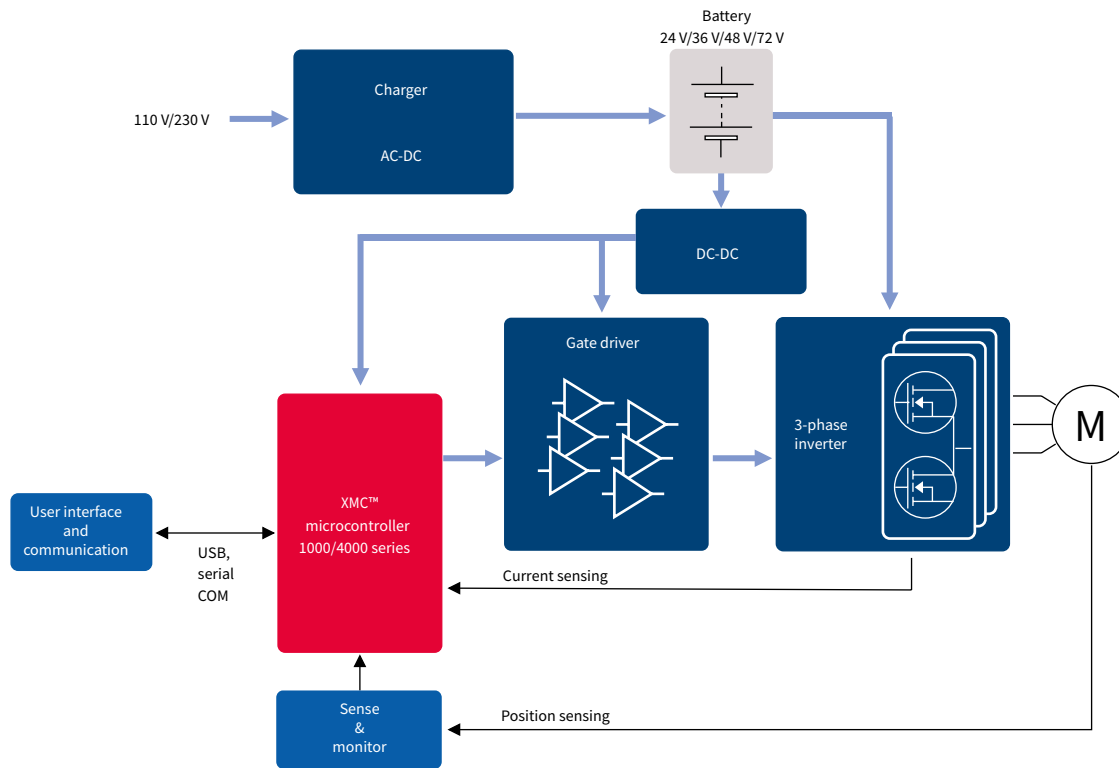


## 2.3 Light electric vehicles

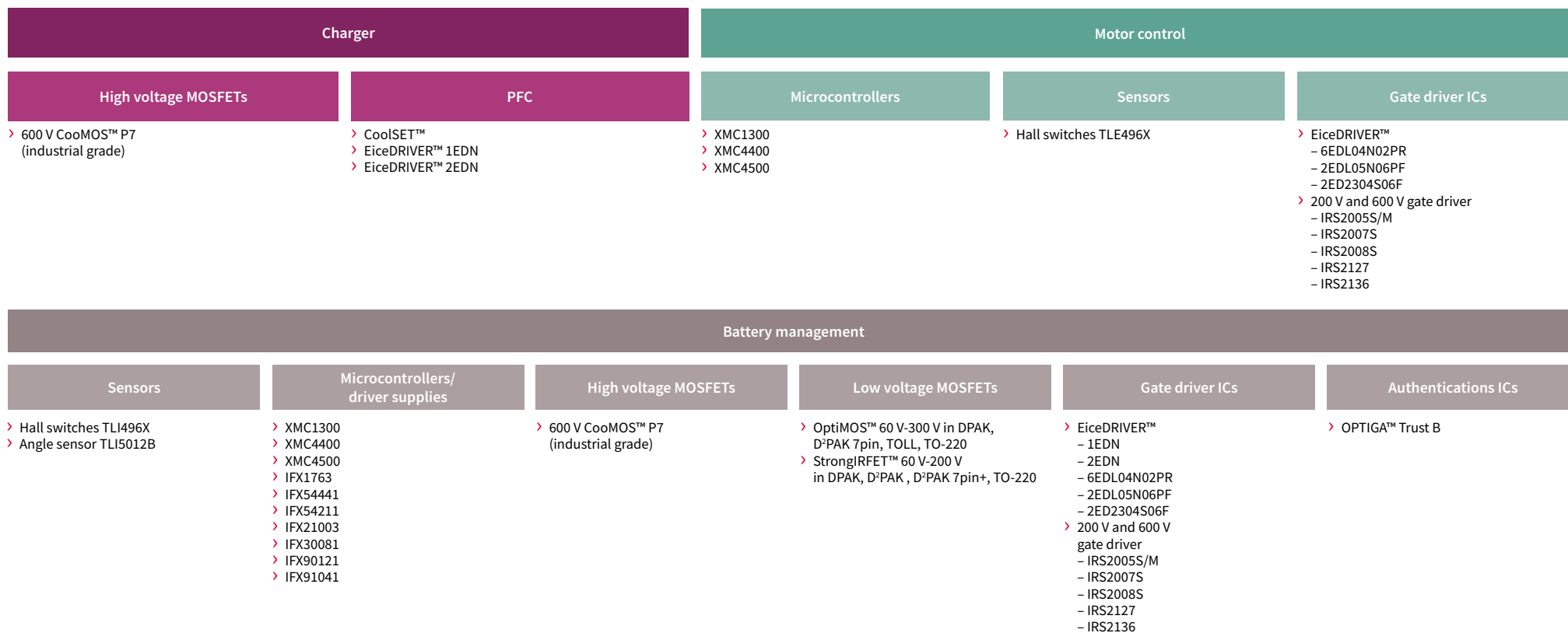
Performance leadership and system solution

The need to reduce pollution in urban areas as part of improving our environment has resulted in a shift towards alternative means of transportation. The rise in popularity of e-mobility products such as e-bikes, e-scooters, and low speed electric cars has exposed the need for more efficient and higher performing electric motors. The efficiency and high performance must also be supported by increased battery life, operating range, and reduced charging time. With XMC™ microcontrollers, EiceDRIVER™ gate drivers and OptiMOS™ low voltage MOSFETs, Infineon provides solutions for all e-mobility applications.

Application example block diagram – e-bike



## Solution tree for light electric vehicles



## 3.0 Home and building automation

Once merely a vision, the smart home gain traction on an ever larger scale, home and building automation designs gets a whole new dimension. Motorized retractable shades, panels, projector screens, and door openers etc. are all sub-applications in the field of home and building automation. In the specific terms of security and the harsh exterior environment, including temperature extremes and humidity, present design challenges. Nevertheless reliability, robustness together with cost-effectiveness retain the leading parts in home automation solutions. As a proven leader in this field, Infineon's competence paired with a portfolio of high-quality components (CIPOS™ family) for home automation technology can help in a range of home systems

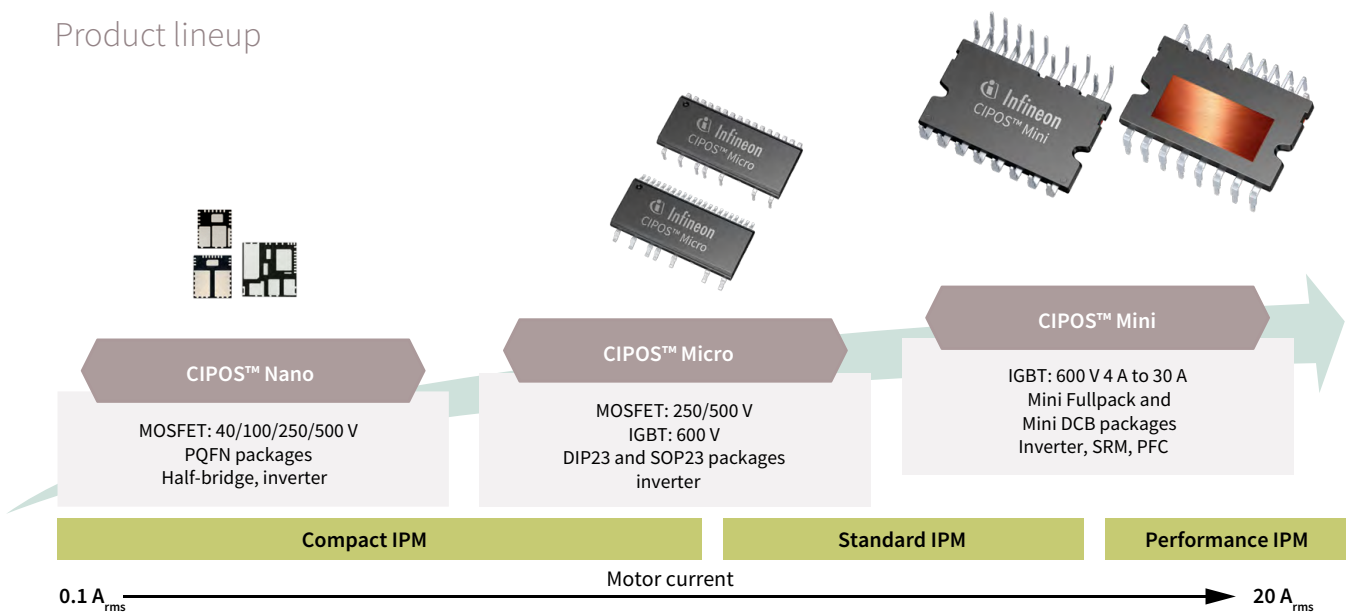
Like in most consumer and home applications, slick design, compact, reliable and efficient are key end-product features. These features translate to thin, small, integrated modules that provide higher efficiency, reliability and hardware protection. The CIPOS™ family provides such solutions in varying form factor and power applications of motor, drive, pump, and plunger.

### 3.1 CIPOS™ family

Control integrated power system- intelligent power modules (CIPOS™ IPMs) are a family of highly integrated, compact power modules designed into drive motors for applications ranging from building automation, home appliances, to fans, pumps and general purpose drives. Depending on the level of integration and power to be handled, Infineon offers a range of IPMs available in different packages and diverse voltage and current classes. These IPM portfolios include CIPOS™ Nano, CIPOS™ Micro and CIPOS™ Mini families.



## Product lineup



### 3.1.1 CIPOS<sup>TM</sup> Nano

#### 3-phase or half-bridge with MOSFETs

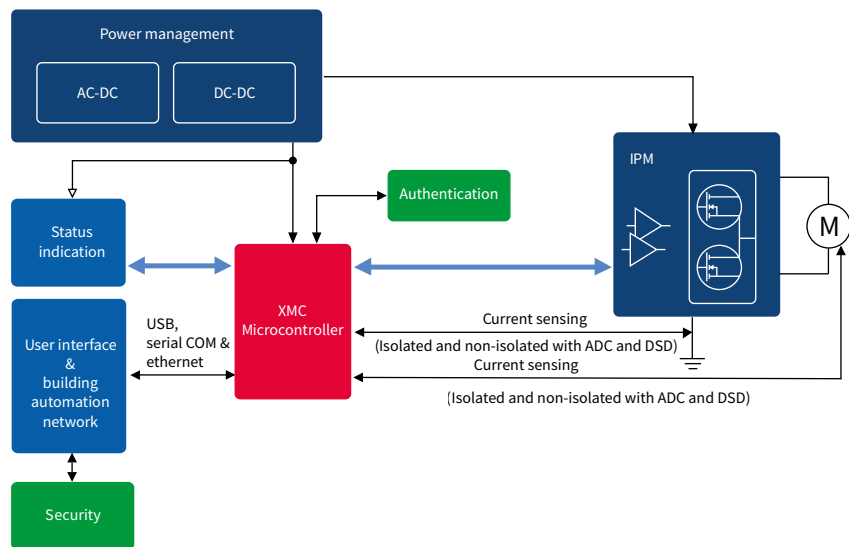
CIPOS<sup>TM</sup> Nano is a family of ultra-compact, power modules for high efficiency and light industrial applications, including compressor drives for automation systems. By utilizing an innovative packaging solution, the CIPOS<sup>TM</sup> Nano family delivers a new benchmark in package size, offering up to a 60 percent smaller footprint compared to existing 3-phase motor control power IPMs and even eliminating the need for an external heat sink.

#### Selected CIPOS<sup>TM</sup> Nano products

Product	Voltage class [V]	R <sub>DS(on)</sub> (25°C) max. [Ω]	P <sub>mot</sub> (10 kHz) [W]	Built in NTC	Configuration	Package
3-phase						
IRSM836-045MA	500	1.7	80	no	3-phase open source	PQFN 12x12
IRSM836-084MA	250	0.45	85	no	3-phase open source	PQFN 12x12
Half-bridge						
IRSM807-045MH	500	1.7	130	no	Half-bridge	PQFN 8x9



Application example for brushed DC motor drive



### 3.1.2 CIPOS™ Micro

High performance solution for home and building automation motor drives

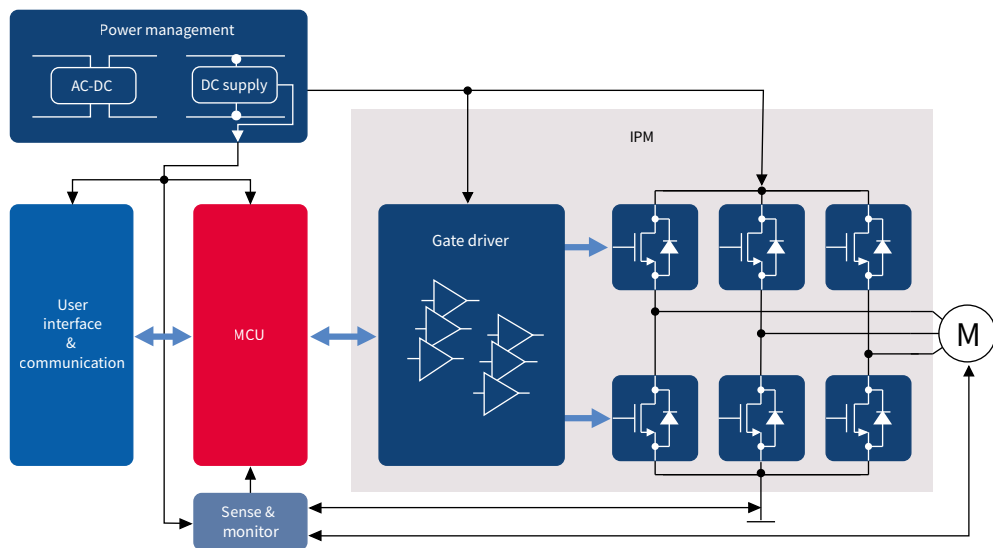
CIPOS™ Micro is a family of compact and efficient intelligent power modules (IPMs) for motor drives. Micro IPMs are the best choice for various drives used in motorized window blinds, shades, shutters, automatic curtain drawing systems, door openers and other applications. Wide range of voltage, current ratings and features helps the designer in making optimum IPM selection for various motor power and application conditions. They offer DC current ratings ranging up to 4.6 A to drive motors up to 90 W without heatsink and up to 250 W with heatsink. CIPOS™ Micro family products are available in both through-hole and surface mount packages.

Selected CIPOS™ Micro products

Product	Voltage class [V]	Rated current [A]	P <sub>mot</sub> (10 kHz) [W]	Built in NTC	Configuration	Package
IRSM506-076DA	600	4	105	yes	3-phase open source	DIP23
IRSM506-076PA	600	4	105	yes	3-phase open source	SOP23
IRSM516-076DA	600	4	105	no	3-phase open source	DIP23
IRSM516-076PA	600	4	105	no	3-phase open source	SOP23



Application example for brushless DC motor control and drives



3.1.3 CIPOS™ Mini

Broad range of application from PFC to inverter

CIPOS™ Mini modules integrate various power and control components to increase reliability, and to optimize PCB size and system costs. This simplifies the power design and reduces significantly time-to-market. These modules are designed to control AC motors in variable speed drives for applications from 4 A up to 30 A such as air conditioning, washing machines, refrigerators, vacuum cleaners, compressors and industrial drives.

Selected CIPOS™ Mini products

Product	Package	Voltage class [V]	P <sub>mot</sub> (10 kHz) [W]	Rated current [A]
3-phase open emitter				
IKCM10L60GA	MDIP-24 Fullpack	600	1200	10
IKCM10L60HA	MDIP-24 Fullpack	600	1200	10
IKCM15L60GA	MDIP-24 Fullpack	600	1600	15
IKCM15L60HA	MDIP-24 Fullpack	600	1600	15





# 4.0 Motor control and drives

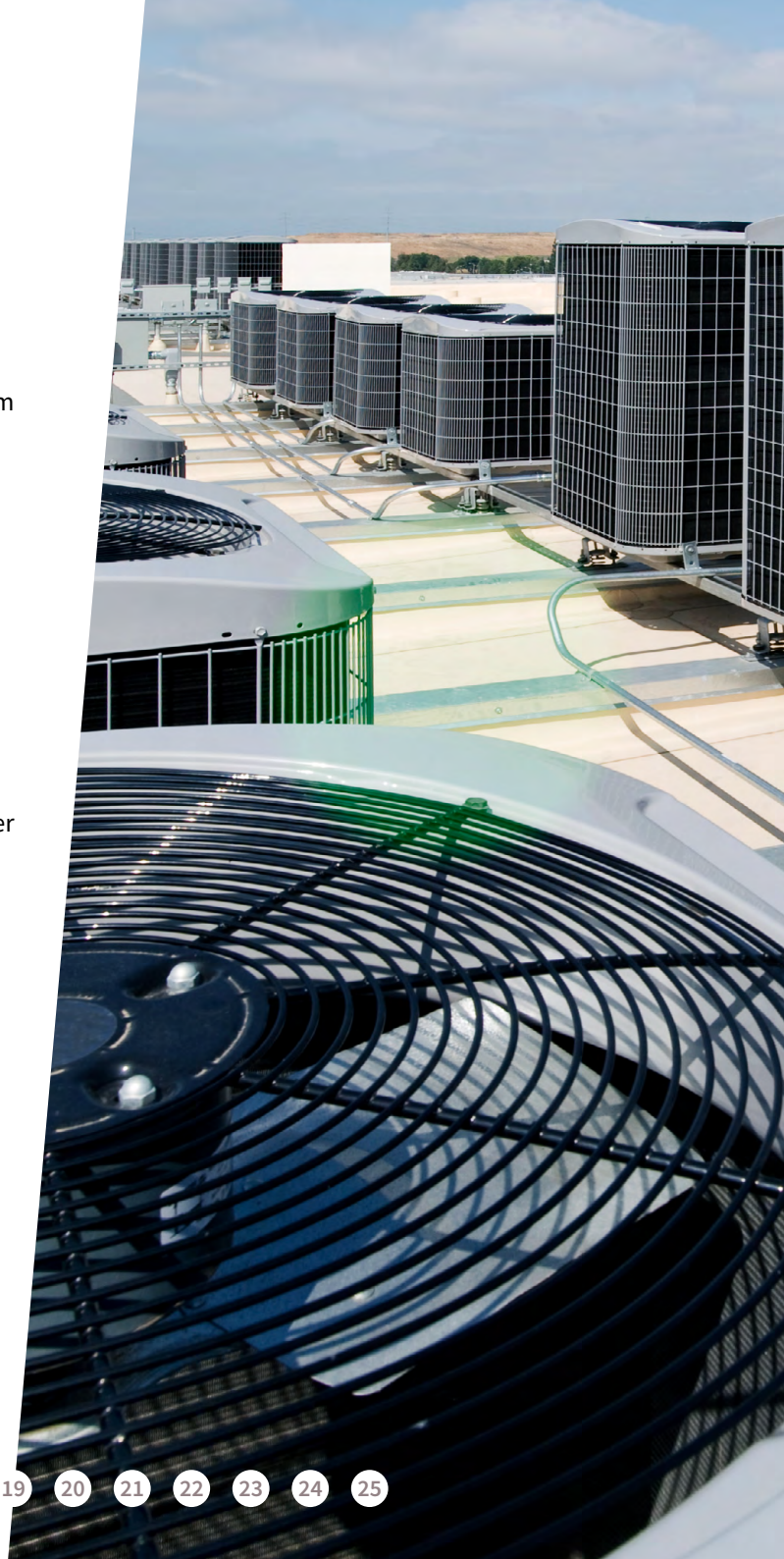
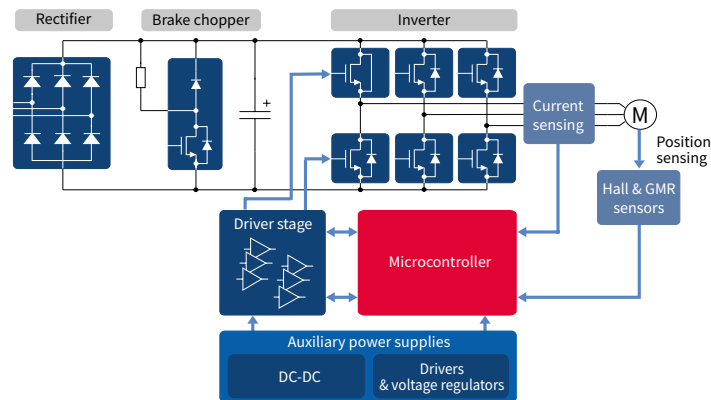
Nowadays motors are increasingly driven via electronics systems, which offer more precise control of speed, position, and torque, as well as higher efficiency, rather than via direct connection to their source of power. The motor control circuit has to control the current flowing in the motor's coils in the most efficient way. Leading semiconductor solutions from Infineon's wide portfolio offers high product quality and reliability, industry leading highly efficient technology and competitive price.

## 4.1 Industrial drives (IGBT discrete)

### 4.1.1 Automation, axis control and industrial robots

Applications like rotary printing press, textile machines, bottling plants, CNC machinery, automated manufacturing or industrial robotics require high-quality motors capable of top energy efficiency and reliable performance. Most common motor types used are DC-induction- and servo motors. Servo motors—more precisely called permanent magnet synchronous machines or referred to as brushless DC-motors offer higher torque/volume ratio and lower inertia, thus allow higher dynamics. A servo motor is often equipped with a sensor which gives feedback about the position. As a rotary actuator, it enables precise control of the position, velocity and acceleration. A unique characteristic of the servo motor is that it consumes power while rotating to the desired position and then rests upon arrival.

#### Application example for servo motor control and drives

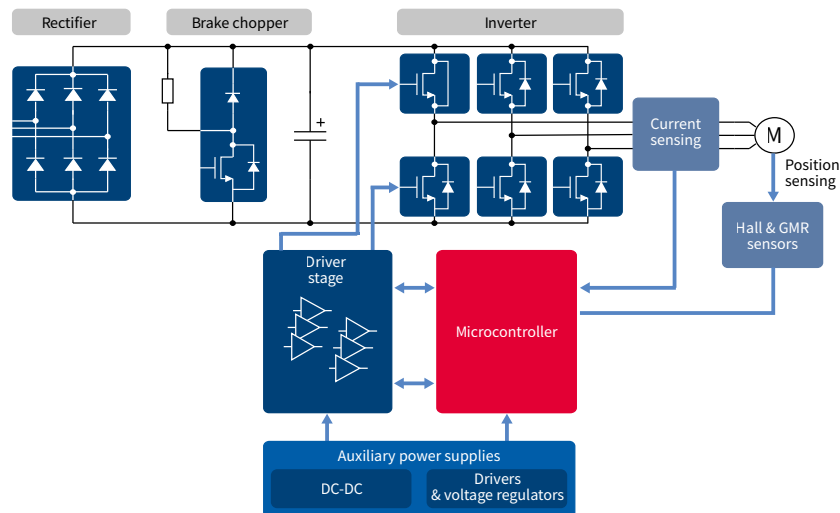


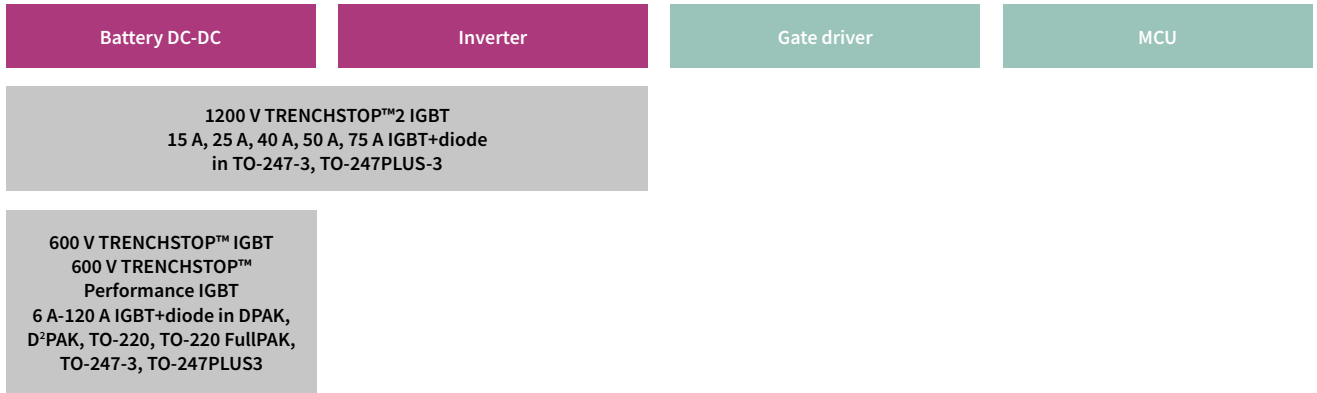
Brake chopper	Inverter	Gate driver	MCU	Sensor
600 V TRENCHSTOP™ IGBT, 600 V TRENCHSTOP™ Performance IGBT 6 A-120 A IGBT+diode in DPAK, D <sup>2</sup> PAK, TO-220, TO-220 FullPAK, TO-247-3, TO-247PLUS-3				
1200 V TRENCHSTOP™2 IGBT 15 A, 25 A, 40 A, 50 A, 75 A IGBT+diode in TO-247-3, TO-247PLUS-3				

### 4.1.2 Industrial power machines

Industrial power machines cover applications like forming machines, punching tools, cranes, conveyors, belts. The most common motor topologies for are induction motor, DC motor and brushless DC motor. Today growing numbers of applications rely on brushless DC (BLDC) motor. In each instance BLDC motor is chosen for its numerous advantages, such as highest efficiency, smaller motor size, light weight, longer lifetime and low cost of maintenance. Infineon's product offer for industrial power tools provides a wide product portfolio ranging from power switches to microcontrollers, dedicated motor control ICs, gate drivers and sensors to enable customers to design a more efficient brushless DC motor driven application.

#### Application example for brushless DC motor (discrete)

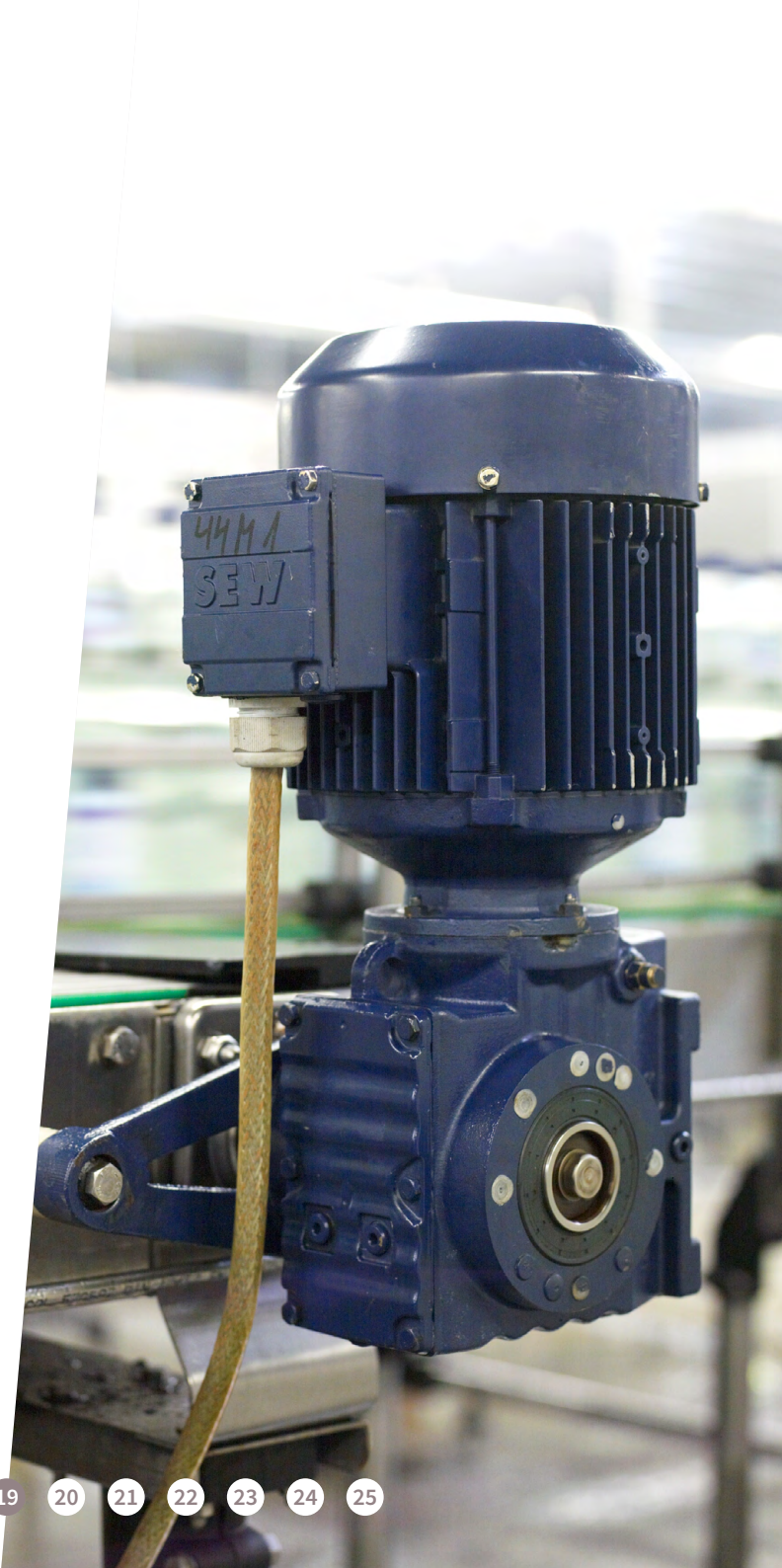




## 4.2 Industrial drives (module)

Electrical drive systems play a key role in energy savings. They account for two-thirds of electrical energy consumed in industry and they are a central component of automation systems. There are two distinct industrial drive technology groups. The first group includes electrically driven machines requiring position control. This group includes, for example, machine tools, measuring machines and packaging machines where precision in movement is required. The second group covers all applications where a fluid is moved by pumps and fans. Here variable speed drives allow the flow to be aligned with the needs of the process. Compared with traditional methods of flow control like throttling and bypassing, electronic speed control significantly increases overall efficiency. Furthermore, an inverter enables more efficient motor technologies, like permanent magnet synchronous motors and reluctance motors, to be used. Today, these drives can be implemented in a power range from watts up to megawatts.

Nearly all static converters for electrical drives used today employ a combination of input rectifier, DC link and output inverter. If no regeneration system is required for the electrical drive, the most competitive semiconductor components for the input rectifier are bipolar thyristors and/or diodes offered in various topologies, such as complete 6-pack modules, half-bridge modules or single modules. In high-power electrical drives, the input rectifier consists of thyristors and/or diodes in Presspack housings. If regeneration is required, an active front end can be designed using IGBT modules. In the low-power range, where power factor correction is mandatory in some applications, PFC (power factor correction) circuits can be designed using discrete IGBTs and diodes or dedicated modules. Infineon provides the latest chip technology embedded into innovative mechanical module designs. This enables our customers to develop highly reliable and efficient solutions. The Easy family was developed to offer a cost-efficient, compact design. These modules are an optimized product generation for low- and medium-power industrial drives.



## 4.2.1 Easy family

With EasyPIM™ and EasyPACK™ configurations, the Easy family portfolio covers the full power range from 10 A up to 50 A in 600 V with IGBT3. This series comes in the Easy1B and Easy2B housing. The screw clamp provides a fast, reliable mounting concept.

### Selected EasyPIM™ 3-phase products - 600 V

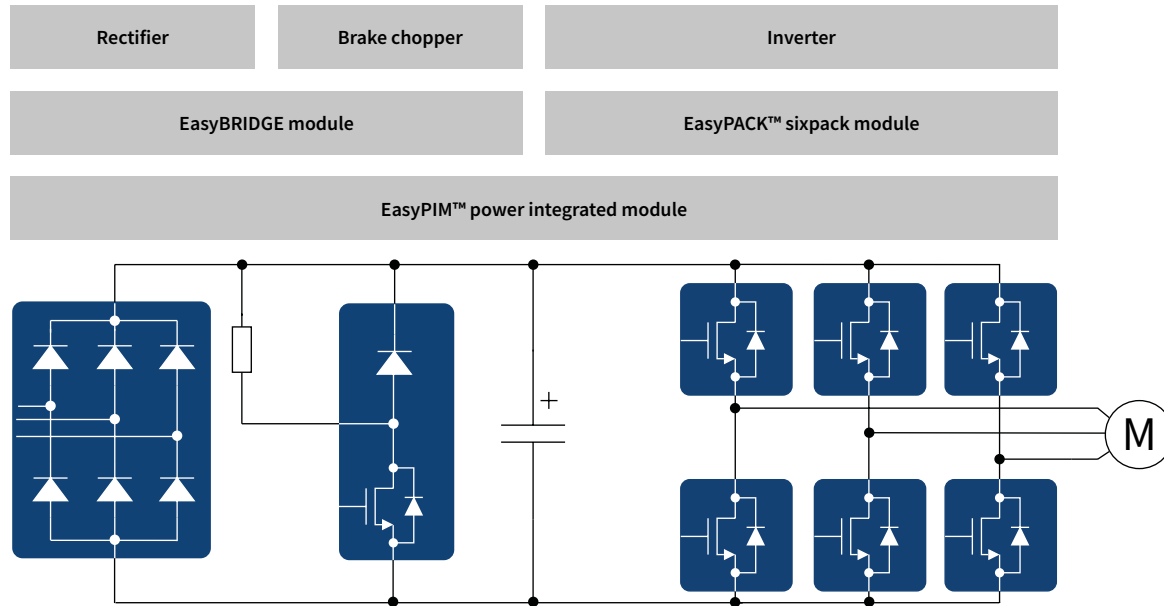
Product	Package	Pin	Description
FP50R06W2E3	EasyPIM™ 2B	Solder contact	PIM 3-phase input rectifier
FP50R06W2E3_B11	EasyPIM™ 2B	PressFIT	PIM 3-phase input rectifier
FP30R06W1E3	EasyPIM™ 1B	Solder contact	PIM 3-phase input rectifier
FP30R06W1E3_B11	EasyPIM™ 1B	PressFIT	PIM 3-phase input rectifier
FP20R06W1E3	EasyPIM™ 1B	Solder contact	PIM 3-phase input rectifier
FP20R06W1E3_B11	EasyPIM™ 1B	PressFIT	PIM 3-phase input rectifier
FP15R06W1E3	EasyPIM™ 1B	Solder contact	PIM 3-phase input rectifier
FP15R06W1E3_B11	EasyPIM™ 1B	PressFIT	PIM 3-phase input rectifier
FP10R06W1E3	EasyPIM™ 1B	Solder contact	PIM 3-phase input rectifier
FP10R06W1E3_B11	EasyPIM™ 1B	PressFIT	PIM 3-phase input rectifier

### Selected EasyPACK™ sixpack portfolio - 600 V

Product	Package	Pin	Description
FS50R06W1E3	EasyPACK™ 1B	Solder contact	Sixpack
FS50R06W1E3_B11	EasyPACK™ 1B	PressFIT	Sixpack
FS30R06W1E3	EasyPACK™ 1B	Solder contact	Sixpack
FS30R06W1E3_B11	EasyPACK™ 1B	PressFIT	Sixpack
FS20R06W1E3	EasyPACK™ 1B	Solder contact	Sixpack
FS20R06W1E3_B11	EasyPACK™ 1B	PressFIT	Sixpack



General purpose drive



Thermal interface material (TIM)

With the ongoing increase of power densities in power electronics, the thermal interface between power module and heatsink becomes a larger challenge. Infineon's TIM does not only provide the lowest thermal resistance, but it also fulfils the highest quality standards given for power modules to achieve the longest lifetime and highest system reliability. TIM has been developed to fit to most of Infineon's existing power module packages as well as to upcoming future designs. Using modules with TIM applied results in highly reproducible thermal performance of power electronic applications.



# 5.0 Wireless charging

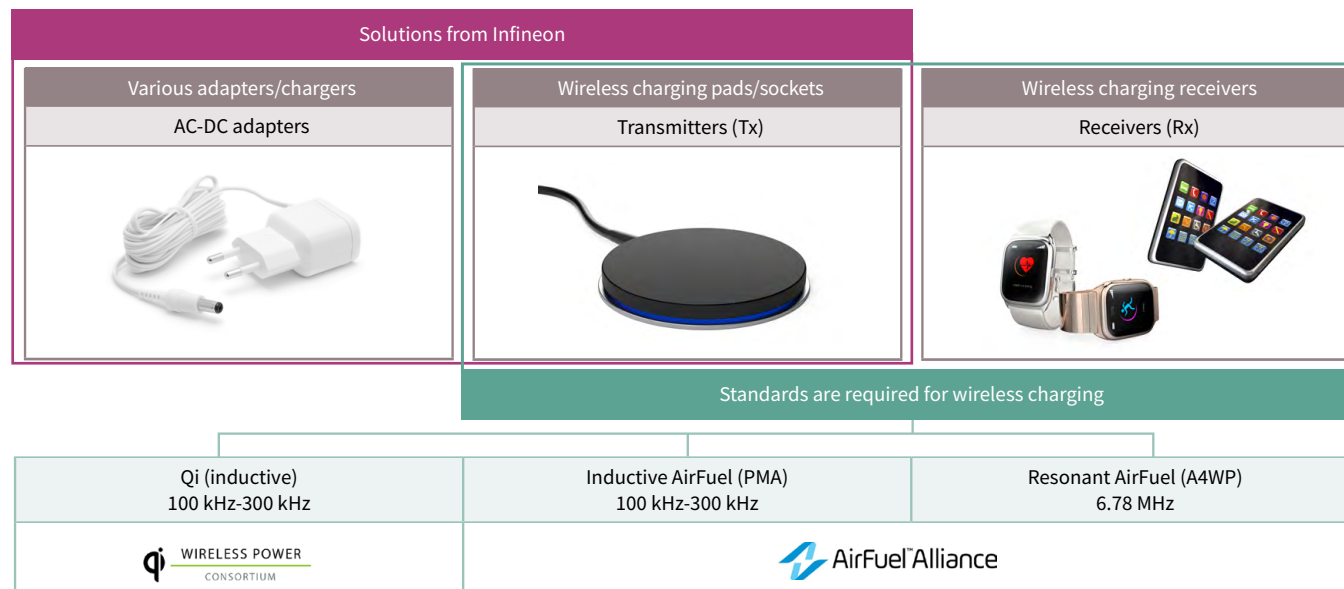
High efficiency at optimal price/performance ratio for the next level of charging

The limited battery life of mobile devices is driving a revolution in charging solutions. Wireless charging is the leading technology in this revolution, erasing the need for physical connectors and cables to transfer power. Now compatible devices from a wide range of receiver applications can fuel up cable-free using slim and efficient wireless charging transmitters.

Solutions that have high power efficiency, smart heat management, high power density and small footprint are the basis of every design. Infineon offers a variety of innovative components to develop highly reliable and efficient solutions for the transmitter and adapter/charger parts of a wireless charging system. As a member of the Wireless Power Consortium and the AirFuel Alliance, Infineon ensures that its products adhere to the key requirements of the dominant market standards.

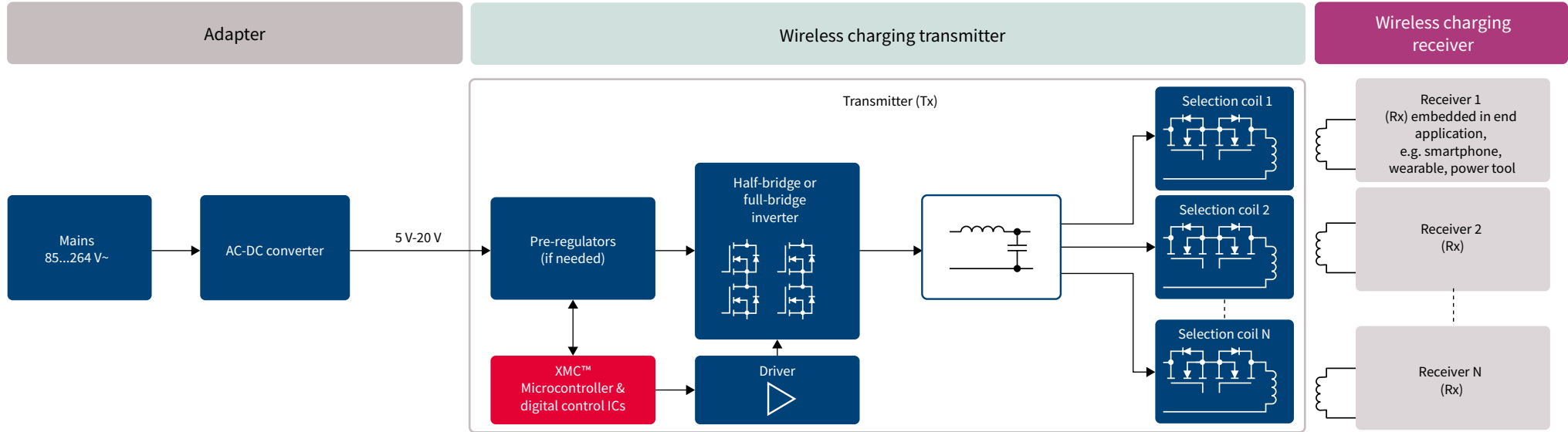
Take a look at an overview of cutting-edge solutions from Infineon's comprehensive portfolio of high-quality semiconductors.

- ### Key advantages
- > BOM reduction due to competitive solution offerings
  - > Efficient designs for better transmitter performance
  - > Enable space saving multi-coil designs-2x2 products
  - > Faster time to market with IFC adapter/charger solutions
  - > Delivery reliability above 90 percent
  - > Known quality leader in MOSFETs



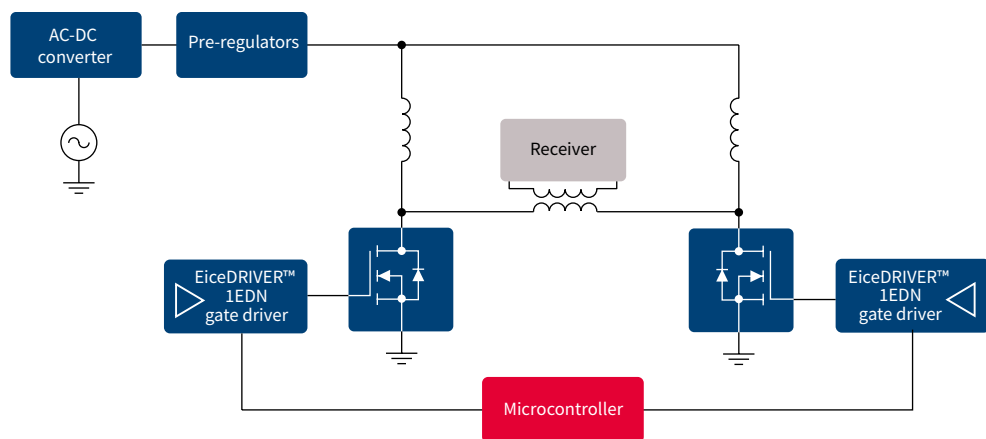
# Components for inductive (inductive AirFuel and Qi) and low switching frequency transmitter solutions

## Infinion offerings for inductive solutions (Qi and inductive Airfuel)

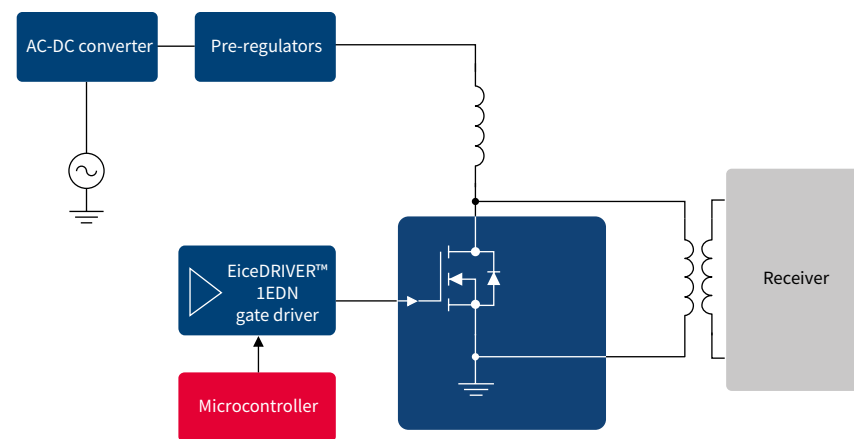


	Voltage	Package	Part number	$R_{DS(on)}$ (max.) @ $V_{GS}$ 4.5 V [mΩ]
Inverter	30 V	SuperSO8	BSC0996NS	11.8
			BSC0993ND	7.0
		PQFN 3.3 x 3.3	BSZ0589NS	4.4
			BSZ0994NS	8.6
		PQFN 2 x 2	IRFHS8342PbF	25
			IRLHS6342PbF	15.5
Coil selection switch	20 V	PQFN 2 x 2	IRLHS6242PbF	11.7 (= 2.5 V drive capable)
	25 V		IRFHS8242PbF	21.0
	30 V		IRFHS8342PbF	25.0
			IRLHS6342PbF	15.5 (= 2.5 V drive capable)
			PQFN 3.3 x 3.3	BSZ0994NS
Microcontroller	XMC1302 or XMC1404 or XMC4108			

## Infinion offerings for resonant solutions (Resonant AirFuel)



Class D full-bridge topology shown here, products are suitable for class D half-bridge topology



Class E single-ended topology shown here, products are suitable for class E differential topology

### Wireless charging resonant portfolio



	Voltage	Package	Part number	$R_{DS(on)}$ (max.) @ $V_{GS}$ 4.5 V [mΩ]	$Q_g$ typical	$C_{OSS}$ typical	Topology
Inverter	30 V	PQFN Dual 2 x 2	IRLHS6376PbF	48.0	2.8	32	Class D
		PQFN Dual 3.3 x 3.3	BSZ0909ND	18.5	2.0	~120	Class D
		SOT 23	IRLML0030PbF	33	2.75	84	Class D
	40 V	SOT 23	IRLML0040PbF	62	2.8	49	Class D
	60 V	SOT 23	IRLML0060PbF	98	2.6	37	Class D
	80 V	PQFN 2 x 2	IRL80HS120	32	3.5	68	Class D/E
	100 V	PQFN 2 x 2	IRL100HS121	42	2.7	62	Class D/E
	150 V	PQFN 3.3 x 3.3	BSZ900N15NS3	75*	4.1*	46	Class E
			BSZ520N15NS3	42*	7.2*	80	Class E
	200 V		BSZ900N20NS3	78*	7.2*	52	Class E
BSZ22DN20NS3	200*		3.5*	24	Class E		
BSZ12DN20NS3	111*		5.4*	39	Class E		
250 V	BSZ42DN25NS3	375*	3.6*	21	Class E		
Driver ICs		EiceDRIVER™ 2EDL71** EiceDRIVER™ 1EDN					
Microcontroller		XMC1302 or XMC1404 or XMC4108					

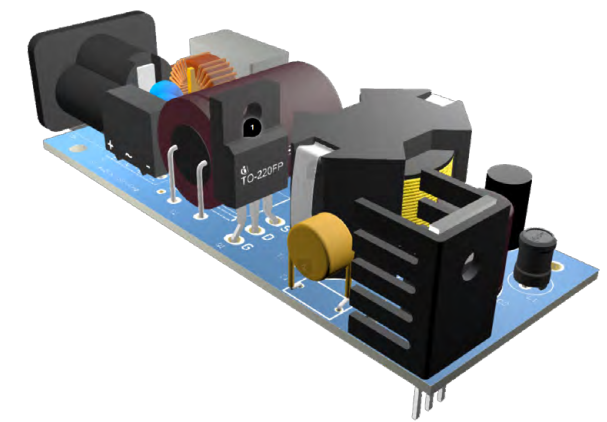
\*@ $V_{GS}$  = 8 V \*\* Upcoming



# Adapter solution

Find the best products for the intended application design. Infineon's broad portfolio, in addition to parts, includes also demo boards and reference designs for switch mode power supplies. All this and more is available from the only supplier to offer a complete range of semiconductor products for your applications.

		Key products used	Summary of features	Benefits
700 V CoolMOS™ P7 40 W flyback adapter design		700 V CoolMOS™ P7, quasi-resonant (QR) flyback controller (ICE2QS03G) and small signal MOSFET	<ul style="list-style-type: none"> <li>&gt; Topology: flyback</li> <li>&gt; Input voltage: 90 V<sub>AC</sub> - 265 V<sub>AC</sub></li> <li>&gt; 91.0% efficiency at 230 V<sub>AC</sub></li> <li>&gt; 89.5% efficiency at 120 V<sub>AC</sub></li> <li>&gt; Low cost single layer design</li> </ul>	<ul style="list-style-type: none"> <li>&gt; Low cost</li> <li>&gt; Higher efficiency</li> </ul>
800 V CoolMOS™ P7 45 W flyback adapter design		800 V CoolMOS™ P7, quasi-resonant (QR) flyback controller (ICE2QS03G) and small signal MOSFET	<ul style="list-style-type: none"> <li>&gt; Topology: flyback</li> <li>&gt; Input voltage: 90 V<sub>AC</sub> - 265 V<sub>AC</sub></li> <li>&gt; 91.0% efficiency at 230 V<sub>AC</sub></li> <li>&gt; 89.5% efficiency at 120 V<sub>AC</sub></li> <li>&gt; Low cost single layer design</li> </ul>	<ul style="list-style-type: none"> <li>&gt; Low cost</li> <li>&gt; Higher efficiency</li> </ul>

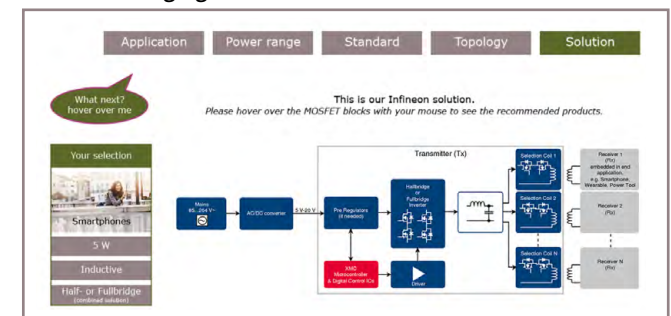


Still not sure which product is the right fit for your design?

# Find the right solutions for your wireless charging designs in four steps

Infineon's selection tool for wireless charging designs that allows you to find the right solutions for your designs in just four steps. Select the application, power range, standard and the topology you want to apply and get an overview of Infineon's most recommended offerings for your design.

## Wireless charging for consumer – selection tool



For additional information go to: <https://www.infineon.com/cms/en/applications/power-supplies/>

# Where to buy

Infiniteon distribution partners and sales offices:  
[www.infineon.com/WhereToBuy](http://www.infineon.com/WhereToBuy)

# Service hotline

Infiniteon offers its toll-free 0800/4001 service hotline as one central number, available 24/7 in English, Mandarin and German.

- > Germany ..... 0800 951 951 951 (German/English)
- > China, mainland ..... 4001 200 951 (Mandarin/English)
- > India ..... 000 800 4402 951 (English)
- > USA ..... 1-866 951 9519 (English/German)
- > Other countries ..... 00\* 800 951 951 951 (English/German)
- > Direct access ..... +49 89 234-0 (interconnection fee, German/English)

\* Please note: Some countries may require you to dial a code other than "00" to access this international number.  
Please visit [www.infineon.com/service](http://www.infineon.com/service) for your country!



Mobile product catalog  
Mobile app for iOS and Android.

## [www.infineon.com](http://www.infineon.com)

Published by  
Infineon Technologies Austria AG  
9500 Villach, Austria

© 2017 Infineon Technologies AG.  
All rights reserved.

Order number: B152-I0515-V1-7600-EU-EC  
Date: 12 / 2017

### **Please note!**

THIS DOCUMENT IS FOR INFORMATION PURPOSES ONLY AND ANY INFORMATION GIVEN HEREIN SHALL IN NO EVENT BE REGARDED AS A WARRANTY, GUARANTEE OR DESCRIPTION OF ANY FUNCTIONALITY, CONDITIONS AND/OR QUALITY OF OUR PRODUCTS OR ANY SUITABILITY FOR A PARTICULAR PURPOSE. WITH REGARD TO THE TECHNICAL SPECIFICATIONS OF OUR PRODUCTS, WE KINDLY ASK YOU TO REFER TO THE RELEVANT PRODUCT DATA SHEETS PROVIDED BY US. OUR CUSTOMERS AND THEIR TECHNICAL DEPARTMENTS ARE REQUIRED TO EVALUATE THE SUITABILITY OF OUR PRODUCTS FOR THE INTENDED APPLICATION.

WE RESERVE THE RIGHT TO CHANGE THIS DOCUMENT AND/OR THE INFORMATION GIVEN HEREIN AT ANY TIME.

### **Additional information**

For further information on technologies, our products, the application of our products, delivery terms and conditions and/or prices, please contact your nearest Infineon Technologies office ([www.infineon.com](http://www.infineon.com)).

### **Warnings**

Due to technical requirements, our products may contain dangerous substances. For information on the types in question, please contact your nearest Infineon Technologies office.

Except as otherwise explicitly approved by us in a written document signed by authorized representatives of Infineon Technologies, our products may not be used in any life-endangering applications, including but not limited to medical, nuclear, military, life-critical or any other applications where a failure of the product or any consequences of the use thereof can result in personal injury.