

Customer Information Sheet

DRAWING No.: S9111-45R

SHEET 2 OF 2

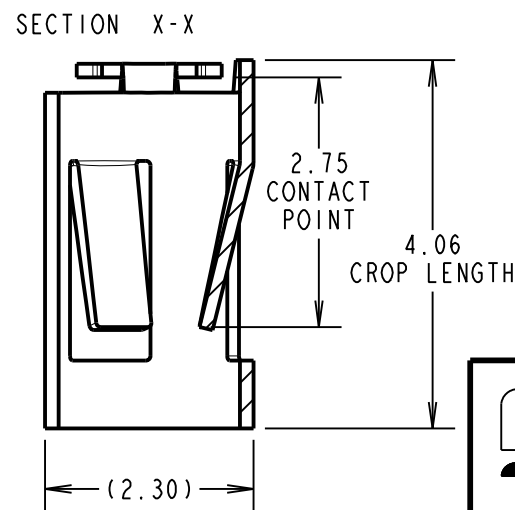
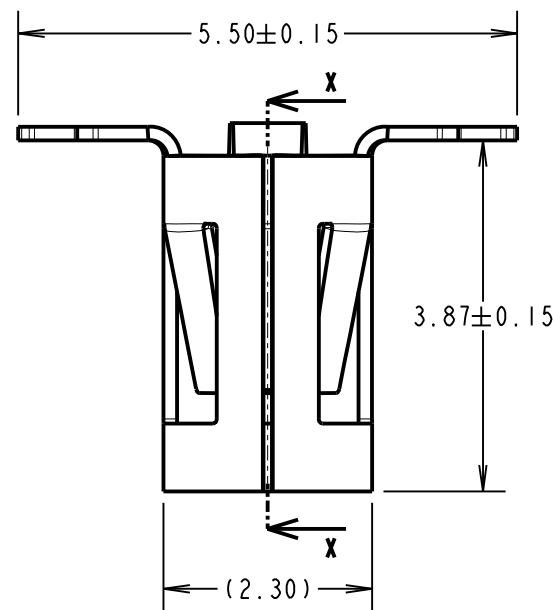
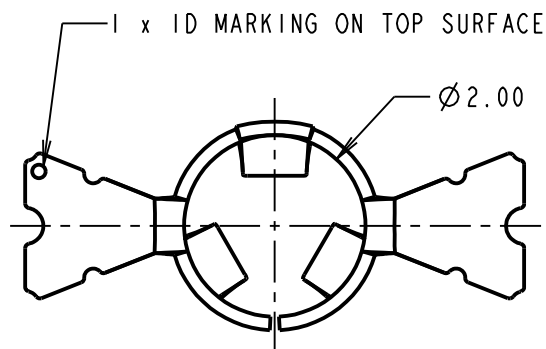
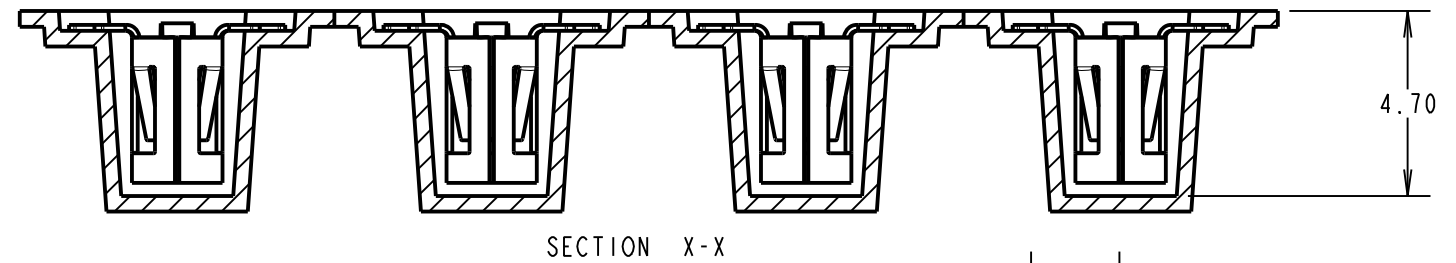
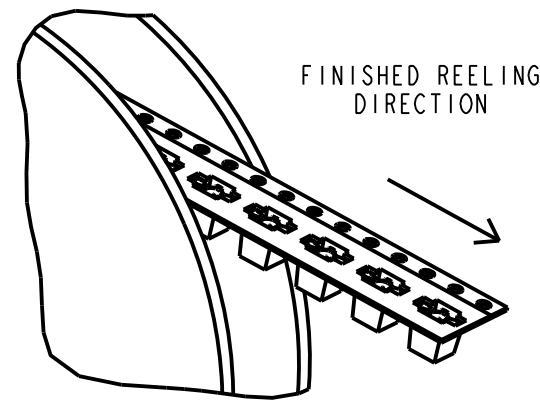
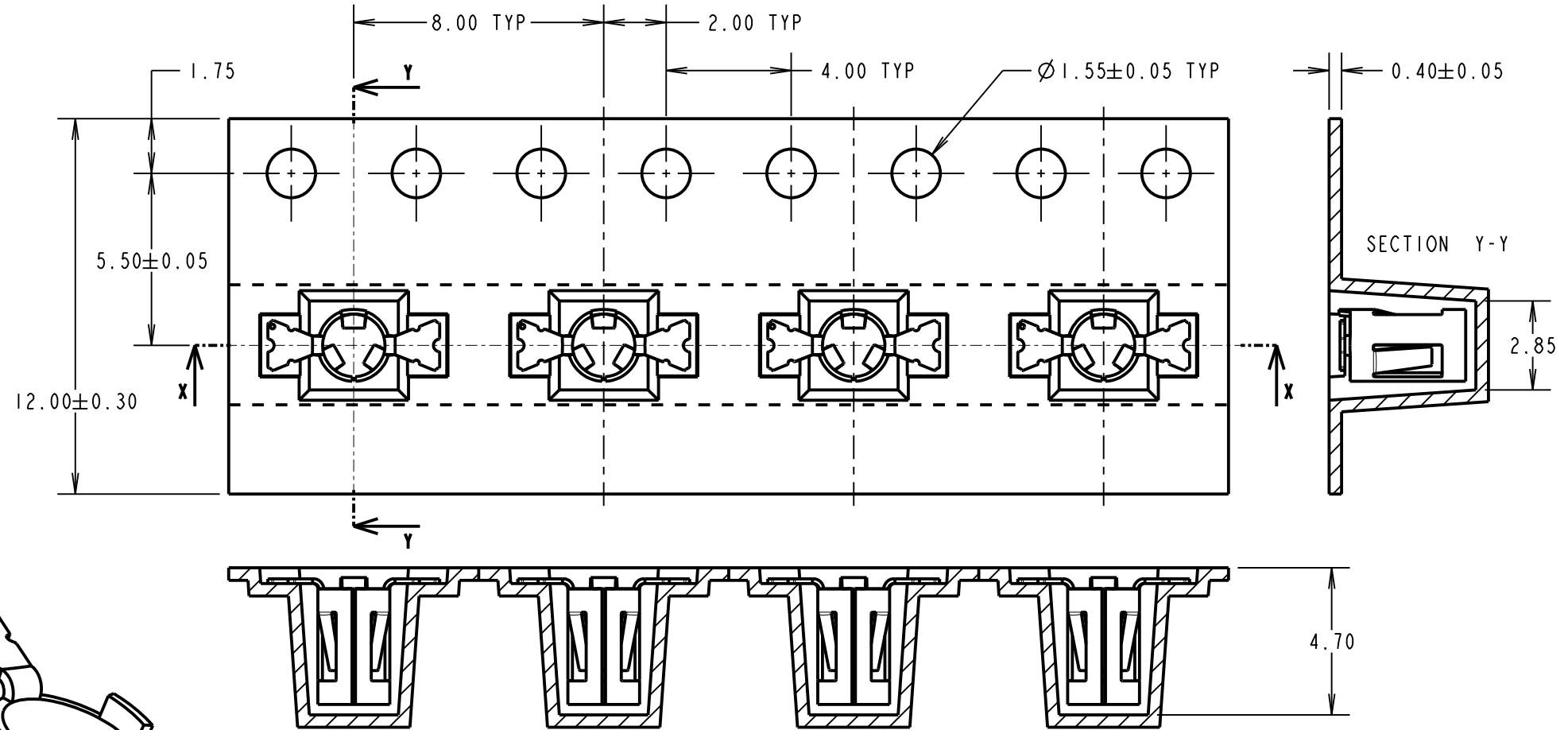
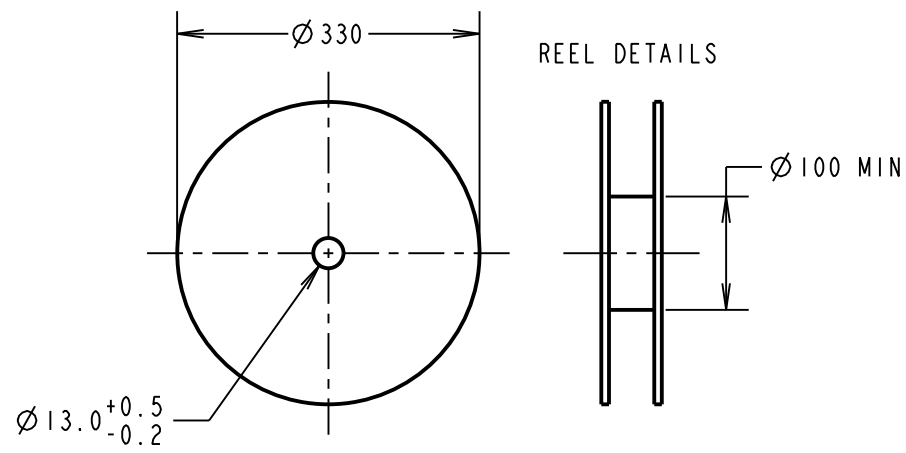
IF IN DOUBT - ASK

(C)

NOT TO SCALE

THIRD ANGLE PROJECTION

ALL DIMENSIONS IN mm

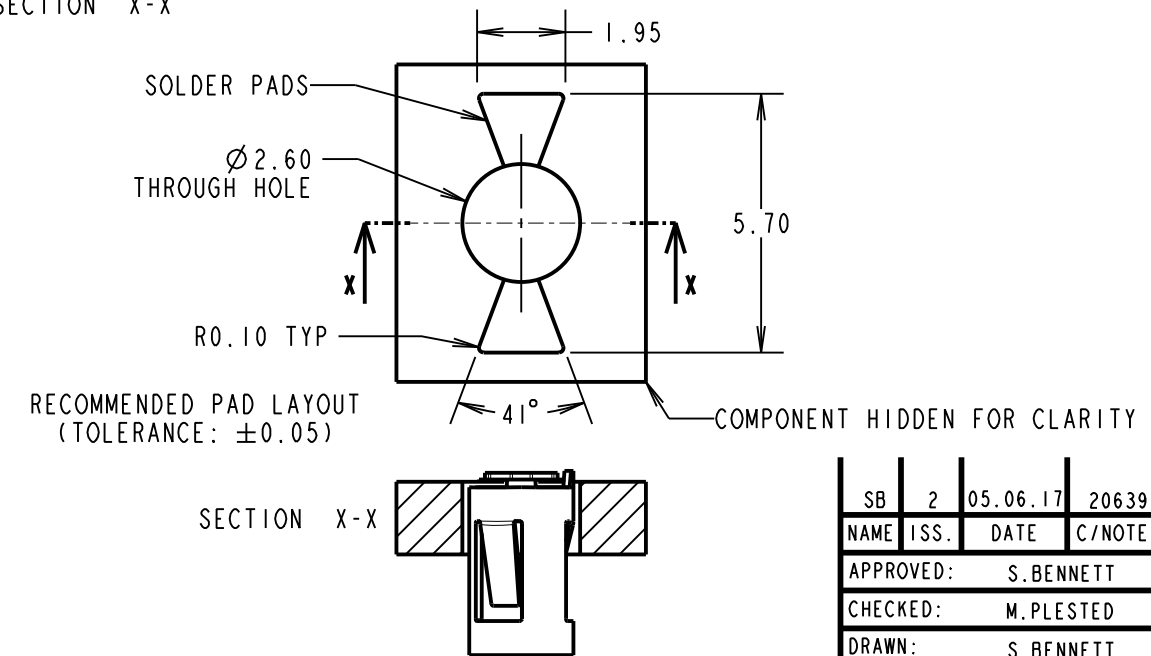


COMPONENT SPECIFICATION
 MATERIAL = BERYLLIUM COPPER
 FINISH = 0.10 μ - 0.17 μ GOLD OVER
 1.0 μ MIN NICKEL

ELECTRICAL:
 CURRENT RATING = 6A
 CONTACT RESISTANCE = 15m Ω MAX

MECHANICAL:
 MAX INSERTION FORCE:
 $\phi 1.50$ mm PIN = 3.0N
 $\phi 1.90$ mm PIN = 17.0N
 MIN WITHDRAWAL FORCE:
 $\phi 1.50$ mm PIN = 0.5N
 $\phi 1.90$ mm PIN = 2.5N
 DURABILITY = 500 CYCLES

ENVIRONMENTAL:
 OPERATING TEMPERATURE = -50°C TO +125°C



NOTES:
 1. QUANTITY OF COMPONENTS PER REEL = 1400.
 2. THIS PRODUCT IS TAPED AND REELED IN GENERAL ACCORDANCE WITH EIA-481-2 (ELECTRONICS INDUSTRIES ASSOCIATION).

SB	2	05.06.17	20639
NAME	ISS.	DATE	C/NOTE
APPROVED:		S.BENNETT	
CHECKED:		M.PLESTED	
DRAWN:		S.BENNETT	
CUSTOMER REF.:			
ASSEMBLY DRG:			

HARWIN

www.harwin.com
 technical@harwin.com

THIS DRAWING AND ANY INFORMATION OR DESCRIPTIVE MATTER SET OUT HEREON ARE CONFIDENTIAL AND COPYRIGHT PROPERTY OF THE HARWIN GROUP AND MUST NOT BE DISCLOSED, LOANED, COPIED OR USED FOR MANUFACTURING, TENDERING OR FOR ANY OTHER PURPOSE WITHOUT THEIR WRITTEN PERMISSION.

TOLERANCES
 X. = ±1mm
 X.X = ±0.25mm
 X.XX = ±0.10mm
 X.XXX = ±0.01mm
 ANGLES = ±5°
 UNLESS STATED

MATERIAL:
 SEE ABOVE
 FINISH: SEE ABOVE
 S/AREA: mm²

TITLE: SYCAMORE CONTACT
 $\phi 1.50$ mm TOP ENTRY SOCKET
 IN TAPE & REEL

DRAWING NUMBER: **S9111-45R** SHT 2 OF 2