

DO NOT SCALE FROM THIS PRINT

DESIGNED AND DIMENSIONED IN MILLIMETERS [INCHES]
ALL DIMENSIONS REFERENCE EXCEPT AS SHOWN

ADM6-XXX-XX.X-XXX-4-X-X-XR

No OF POSITIONS

-10, -20, -30, -40, -50, -60,
**-70, **80, **90, **100
(PER ROW)

LEAD STYLE

-01.5: 1.5MM
-03.5: 3.5MM
-06.5: 6.5MM
-08.5: 08.5MM

PLATING SPECIFICATION

-L: 10µ" SELECTIVE GOLD IN CONTACT AREA, MATTE TIN ON TAIL
-S: 30µ" SELECTIVE GOLD IN CONTACT AREA, MATTE TIN ON TAIL
**-STL: 30µ" SELECTIVE GOLD IN CONTACT AREA, TIN/LEAD ON TAIL

PACKAGING

(SEE NOTES 1, 3 & 4)
-TR: TAPE & REEL
-FR: FULL REEL QTY TAPE & REEL

OPTION

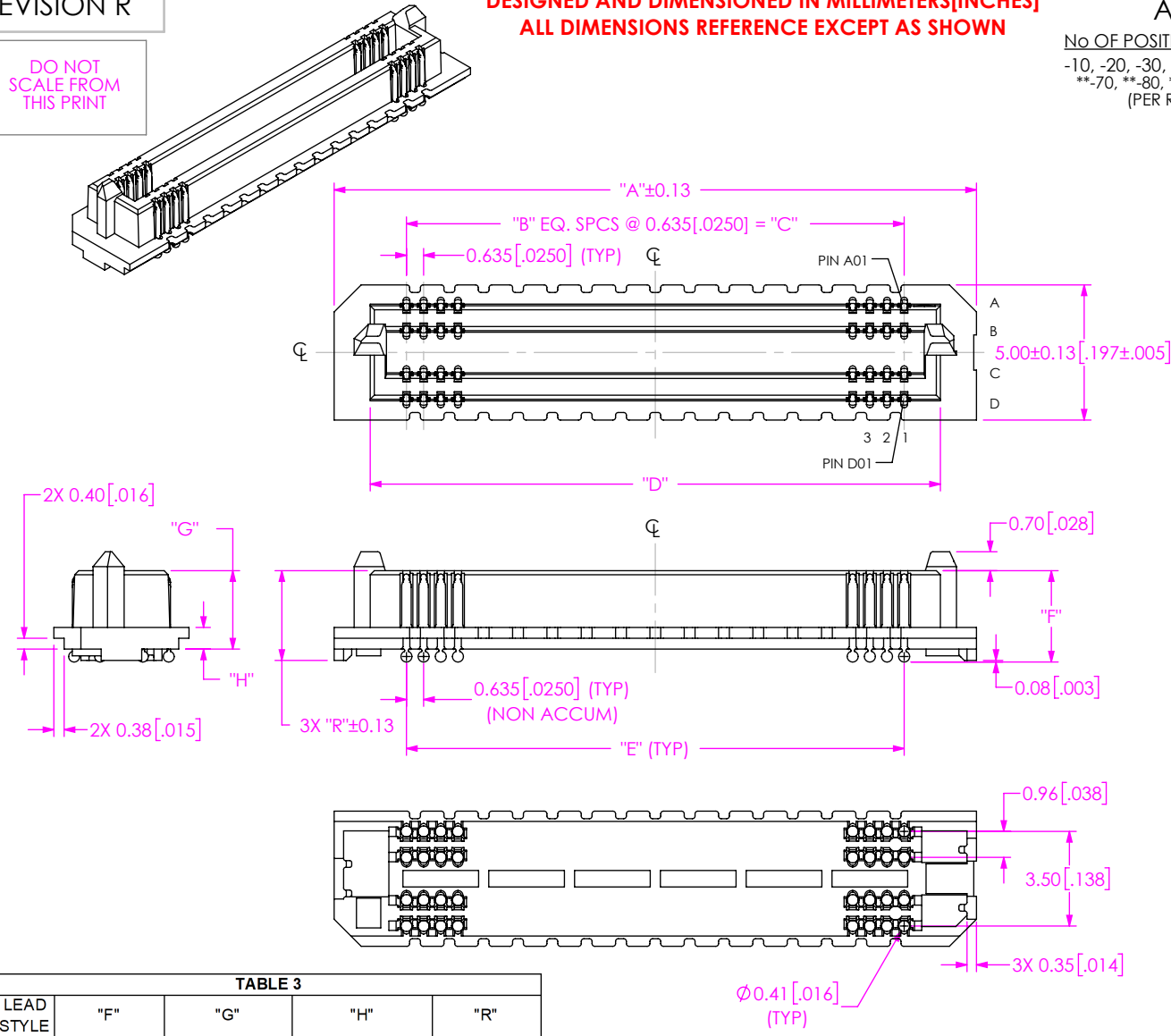
BLANK: NO ALIGNMENT PIN
-A: ALIGNMENT PIN
(SEE SHT 3, FIG 3)

TERMINATION

-0: COLUMN (SEE NOTE 6)
**0-1: BALL (63.0% TIN/37% LEAD)
-2: BALL (96.5% TIN/3.0% SILVER 0.5% COPPER)

4 ROW

(∅ = ONLY AVAILABLE WITH -STL PLATING)
(** = NOT RELEASED FOR -03.5, -06.5, -08.5 LEAD STYLES)



ADF6 LEAD STYLE	ADM6 LEAD STYLE			
	-01.5	-03.5	-06.5	-08.5
-03.5	5.00 [0.197]	7.00 [0.276]	10.00 [0.394]	12.00 [0.472]
-07.5	9.00 [0.354]	11.00 [0.433]	14.00 [0.551]	16.00 [0.630]

LEAD STYLE	"F"	"G"	"H"	"R"
-01.5	3.40 [0.134]	2.900 [0.1142]	0.800 [0.0315]	3.32 [0.131]
-03.5	5.40 [0.213]	4.900 [0.1929]	2.800 [0.1102]	5.32 [0.209]
-06.5	8.40 [0.331]	7.900 [0.3110]	5.800 [0.2283]	8.32 [0.328]
-08.5	10.40 [0.409]	9.900 [0.3898]	7.800 [0.3071]	10.32 [0.406]

No. OF POS. PER ROW	"A"	"B"	"C"	"D"	"E"
-10	11.07 [1.4356]	9	5.715 [1.2250]	8.395 [1.3305]	5.72 [1.2250]
-20	17.42 [1.6856]	19	12.065 [1.4750]	14.745 [1.5805]	12.07 [1.4750]
-30	23.77 [1.9356]	29	18.415 [1.7250]	21.095 [1.8305]	18.42 [1.7250]
-40	30.12 [1.1856]	39	24.765 [1.9750]	27.445 [1.0805]	24.77 [1.9750]
-50	36.47 [1.4356]	49	31.115 [1.2250]	33.795 [1.3305]	31.12 [1.2250]
-60	42.82 [1.6856]	59	37.465 [1.4750]	40.145 [1.5805]	37.47 [1.4750]
-70	49.17 [1.9356]	69	43.815 [1.7250]	46.495 [1.8305]	43.82 [1.7250]
-80	55.52 [2.1856]	79	50.165 [1.9750]	52.845 [2.0805]	50.17 [1.9750]
-90	61.87 [2.4356]	89	56.515 [2.2250]	59.195 [2.3305]	56.52 [2.2250]
-100	68.22 [2.6856]	99	62.865 [2.4750]	65.545 [2.5805]	62.87 [2.4750]

FIG 1
ADM6-30-01.5-XXX-4-X-XR SHOWN
(SOME CENTER FEATURES REMOVED FOR CLARITY)

1. TAPE & REEL IS STANDARD PACKAGING.
2. NOTE DELETED.
3. ORDERS WILL BE PACKAGED ACCORDING TO THE SAMTEC PACKAGING EFFICIENCY STANDARDS (SPES) FOUND ON WWW.SAMTEC.COM
4. ATTACH LABEL-4X2 TO EACH REEL.
5. K-DOT PROVIDED AS STANDARD.
6. -L AND -S PLATED PARTS WILL HAVE MATTE TIN ON THE TAIL. -STL PLATED PARTS WILL HAVE TIN/LEAD ON THE TAIL. PARTS ARE SOLDERED WITH OPTIMIZED SOLDER PASTE VOLUMET IN PLACE OF AN ATTACHED SOLDER BALL. FOR MORE INFORMATION, CONTACT SAMTEC'S INTERCONNECT PROCESSING GROUP (IPG@SAMTEC.COM)."

<p>PROPRIETARY NOTE</p> <p>THIS DOCUMENT CONTAINS CONFIDENTIAL AND PROPRIETARY INFORMATION AND ALL DESIGN, MANUFACTURING, REPRODUCTION, USE, PATENT RIGHTS AND SALES RIGHTS ARE EXPRESSLY RESERVED BY SAMTEC, INC. THIS DOCUMENT SHALL NOT BE DISCLOSED, IN WHOLE OR PART, TO ANY UNAUTHORIZED PERSON OR ENTITY NOR REPRODUCED, TRANSFERRED OR INCORPORATED IN ANY OTHER PROJECT IN ANY MANNER WITHOUT THE EXPRESS WRITTEN CONSENT OF SAMTEC, INC.</p>	<p>DO NOT SCALE DRAWING SHEET SCALE: 4:1</p>	<p>DESCRIPTION: ADM6 ASSEMBLY</p>
	<p>MATERIAL: INSULATOR: LCP, COLOR BLACK CONTACT: COPPER ALLOY</p>	<p>DWG. NO. ADM6-XXX-XX.X-XXX-4-X-X-XR</p>
	<p>BY: J RUZZI</p>	<p>6/14/2016 SHEET 1 OF 4</p>

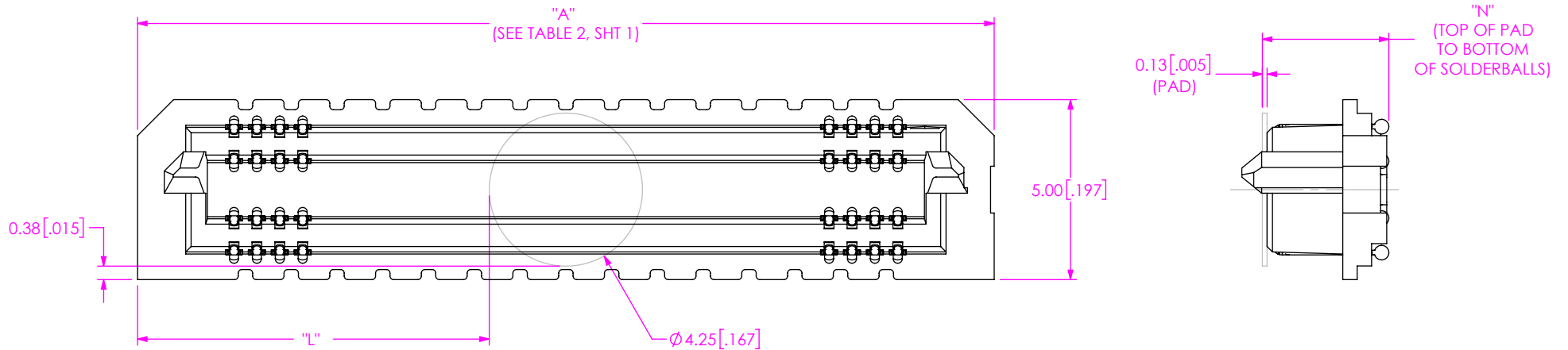


FIG 2
 POLYIMIDE PAD
 ADM6-30-1.5-XXX-4-X-XR SHOWN
 (SOME CENTER FEATURES REMOVED FOR CLARITY)

-No. OF POS PER ROW	"L"
-10 POS	3.41 [0.134]
-20 POS	6.58 [0.259]
-30 POS	9.76 [0.384]
-40 POS	12.93 [0.509]
-50 POS	16.11 [0.634]
-60 POS	19.28 [0.759]
-70 POS	22.46 [0.884]
-80 POS	25.63 [1.009]
-90 POS	28.81 [1.134]
-100 POS	31.98 [1.259]

LEAD STYLE	"N"
-01.5	3.53 [0.139]
-03.5	5.53 [0.218]
-06.5	8.53 [0.336]
-08.5	10.53 [0.415]

PROPRIETARY NOTE
 THIS DOCUMENT CONTAINS CONFIDENTIAL AND PROPRIETARY INFORMATION AND ALL DESIGN, MANUFACTURING, REPRODUCTION, USE, PATENT RIGHTS AND SALES RIGHTS ARE EXPRESSLY RESERVED BY SAMTEC, INC. THIS DOCUMENT SHALL NOT BE DISCLOSED, IN WHOLE OR PART, TO ANY UNAUTHORIZED PERSON OR ENTITY NOR REPRODUCED, TRANSFERRED OR INCORPORATED IN ANY OTHER PROJECT IN ANY MANNER WITHOUT THE EXPRESS WRITTEN CONSENT OF SAMTEC, INC.

samtec
 520 PARK EAST BLVD, NEW ALBANY, IN 47150
 PHONE: 812-944-6733 FAX: 812-948-5047
 e-Mail info@SAMTEC.com code 55322

DO NOT SCALE DRAWING
 SHEET SCALE: 6:1

DESCRIPTION: ADM6 ASSEMBLY
 DWG. NO. ADM6-XXX-XX.X-XXX-4-X-XR
 BY: J RUZZI 6/14/2016 SHEET 2 OF 4

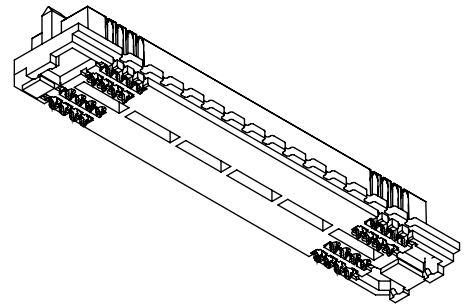
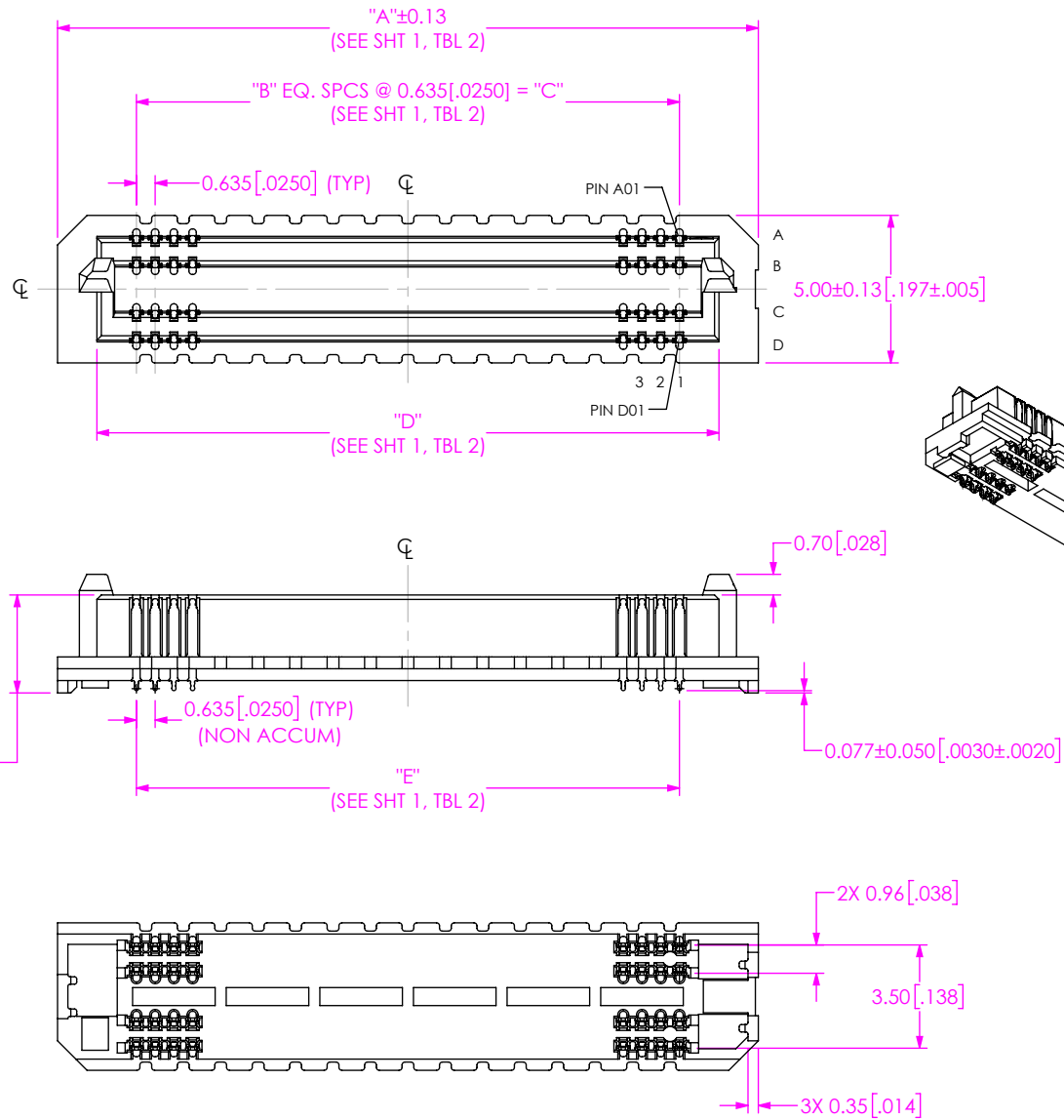


FIG 4
ADM6-30-01.5-XXX-4-0-XR SHOWN
(NO SOLDER BALL OPTION)
(SOME CENTER FEATURES REMOVED FOR CLARITY)

PROPRIETARY NOTE
THIS DOCUMENT CONTAINS CONFIDENTIAL AND PROPRIETARY INFORMATION AND ALL DESIGN, MANUFACTURING, REPRODUCTION, USE, PATENT RIGHTS AND SALES RIGHTS ARE EXPRESSLY RESERVED BY SAMTEC, INC. THIS DOCUMENT SHALL NOT BE DISCLOSED, IN WHOLE OR PART, TO ANY UNAUTHORIZED PERSON OR ENTITY NOR REPRODUCED, TRANSFERRED OR INCORPORATED IN ANY OTHER PROJECT IN ANY MANNER WITHOUT THE EXPRESS WRITTEN CONSENT OF SAMTEC, INC.



520 PARK EAST BLVD., NEW ALBANY, IN 47150
PHONE: 812-944-6733 FAX: 812-948-5047
e-Mail info@SAMTEC.com code 55322

DO NOT SCALE DRAWING

SHEET SCALE: 6:1

DESCRIPTION:
ADM6 ASSEMBLY

DWG. NO.
ADM6-XXX-XX.X-XXX-4-X-X-XR

BY: J RUZZI 6/14/2016 SHEET 3 OF 4

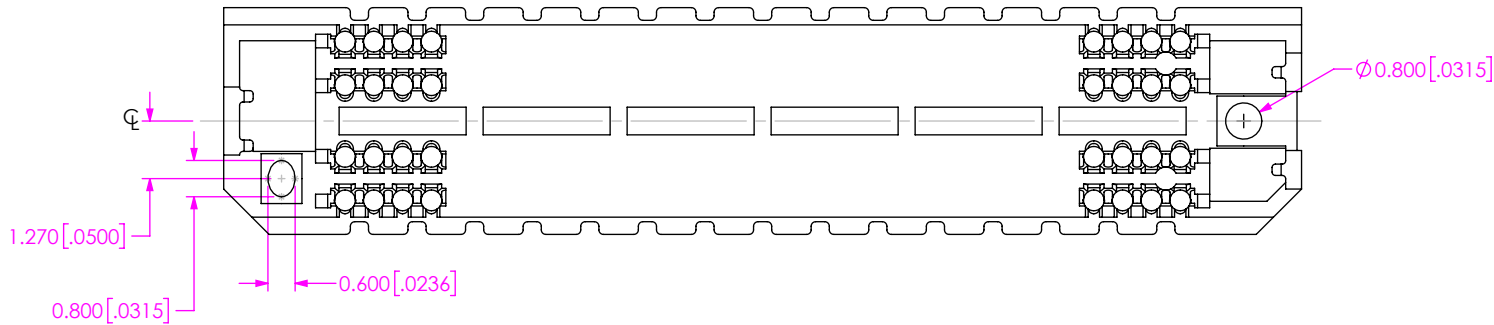
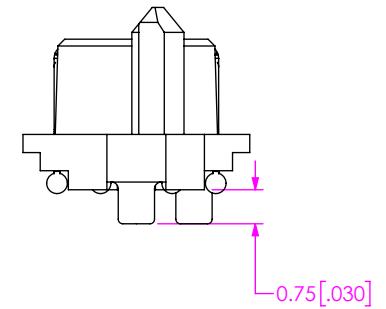
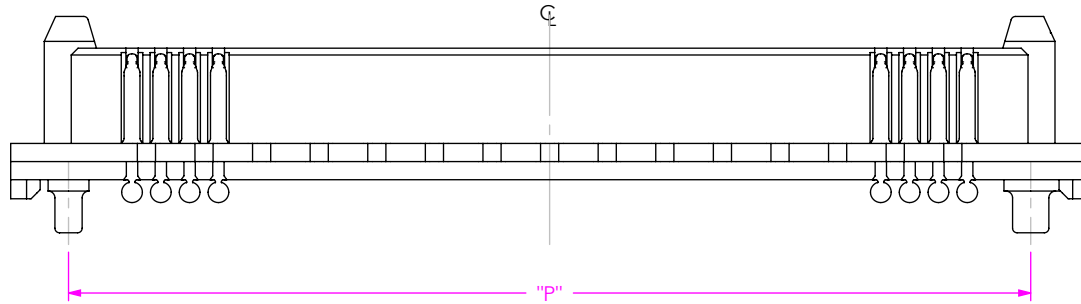


TABLE 6

No OF POS PER ROW	"P"
-10	8.52 [0.335]
-20	14.87 [0.585]
-30	21.22 [0.835]
-40	27.57 [1.085]
-50	33.92 [1.335]
-60	40.27 [1.585]
-70	46.62 [1.835]
-80	52.97 [2.085]
-90	59.32 [2.335]
-100	65.67 [2.585]

FIG 3
 -A: ALIGNMENT PIN
 ADM6-30-01.5-XXX-4-X-A-XR SHOWN
 (SAME AS FIG 1, EXCEPT AS SHOWN)
 (SOME CENTER FEATURES REMOVED FOR CLARITY)

PROPRIETARY NOTE
 THIS DOCUMENT CONTAINS CONFIDENTIAL AND PROPRIETARY INFORMATION AND ALL DESIGN, MANUFACTURING, REPRODUCTION, USE, PATENT RIGHTS AND SALES RIGHTS ARE EXPRESSLY RESERVED BY SAMTEC, INC. THIS DOCUMENT SHALL NOT BE DISCLOSED, IN WHOLE OR PART, TO ANY UNAUTHORIZED PERSON OR ENTITY NOR REPRODUCED, TRANSFERRED OR INCORPORATED IN ANY OTHER PROJECT IN ANY MANNER WITHOUT THE EXPRESS WRITTEN CONSENT OF SAMTEC, INC.



520 PARK EAST BLVD, NEW ALBANY, IN 47150
 PHONE: 812-944-6733 FAX: 812-948-5047
 e-Mail info@SAMTEC.com code 55322

DO NOT SCALE DRAWING

SHEET SCALE: 4:1

DESCRIPTION: ADM6 ASSEMBLY

DWG. NO. ADM6-XXX-XX.X-XXX-4-X-X-XR

BY: J RUZZI 6/14/2016 SHEET 4 OF 4