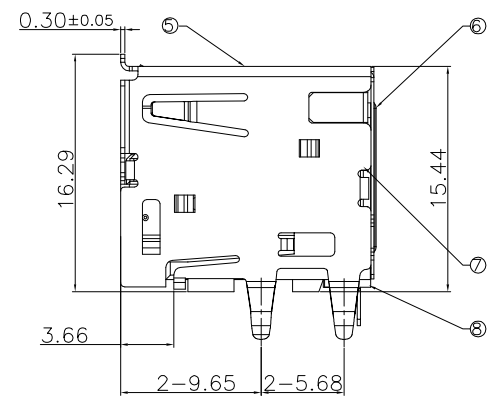
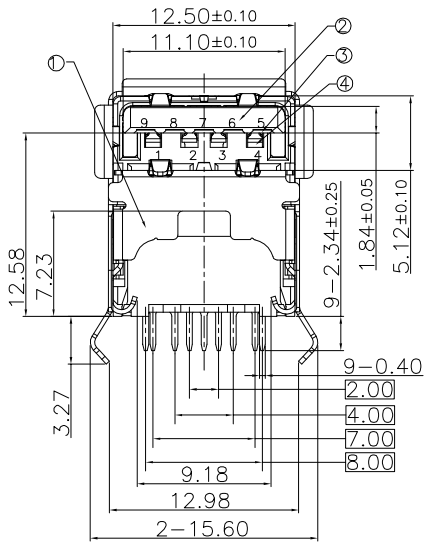
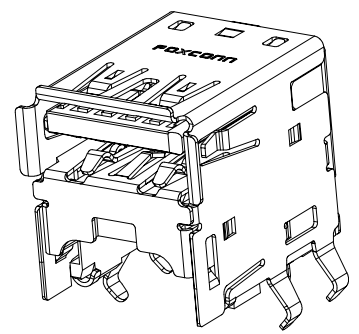
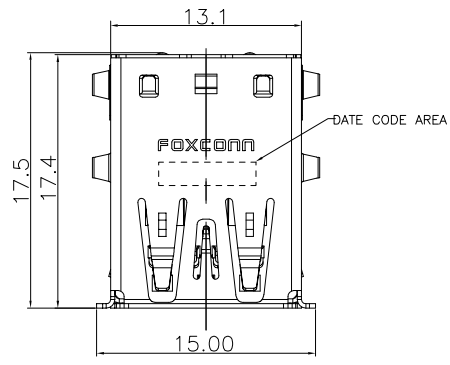


REV.	ECN. NO.	APPD.
A	BC-16-0051701	Adward Zheng



NOTES :

- ELECTRICAL CHARACTERISTIC:
 - CONTACT CURRENT RATING: 1.8A/PIN FOR VBUS AND GND PIN, 0.25A/PIN MIN FOR ALL OTHER CONTACTS.
 - CONTACT RESISTANCE: 30 MILLIOHMS MAX. FOR VBUS AND GND CONTACTS. 50 MILLIOHMS MAX. FOR OTHER CONTACTS.
 - DIELECTRIC WITHSTANDING VOLTAGE: 100VAC MIN.
 - INSULATION RESISTANCE: 100 MEGOHMS MIN.
- MECHANICAL CHARACTERISTIC:
 - CONNECTOR INSERTION FORCE: 35N MAX. AT A MAXIMUM RATE OF 12.5MM PER MINUTE.
 - CONNECTOR EXTRACTION FORCE: 10N MIN INITIAL, 8N MIN AFTER DURABILITY. AT A MAXIMUM RATE OF 12.5MM PER MINUTE.
 - DURABILITY: 5000 CYCLES.
 - OPERATING TEMPERATURE: -55°C ~ +85°C.
- DIMENSIONS ARE IN MILLIMETERS, BRACKETED DIMENSIONS ARE INCHES EQUIVALENTS.
- RECOMMENED PROCESS: WAVE SOLDER 270°C, 6 SECONDS.
- THE CONNECTOR IS ROHS COMPLIANT.

NO.	DESCRIPTION	QTY.	MATERIAL	TREATMENT
⑧	FRAME	1	THERMOPLASTIC UL 94V-0	MOLDED COLOR: BLACK.
⑦	SPACER	1	THERMOPLASTIC UL 94V-0	MOLDED COLOR: BLACK.
⑥	BACK SHELL	1	SUS	CLEANING
⑤	FRONT SHELL	1	SUS	10u" Min NICKEL PLATING AT KINKS, 50u" Min TIN PLATING AT KINKS,
④	USB2 CONTACT	4	COPPER ALLOY	1u" Min G/F AND 30u" Pd/Ni MIN AT CONTACT AREA, 100u" Min LEAD FREE TIN ALLOY AT TERMINATION,
③	USB3.1 CONTACT	5	COPPER ALLOY	50u" Min NICKEL UNDERPLATING OVER ALL.
②	I/M HOUSING	1	THERMOPLASTIC UL 94V-0	MOLDED COLOR: BLUE(PANTONE:PANTONE 300C).
①	FINGER	1	SUS	CLEANING

PRODUCT NO.: UAA 1 1 C - **** - 4 H

Series Prefix: UAA
 USB 3.1 A TYPE: 1
 Termination Type: 1 (Right Angle Dip)
 Connector Type: 1 (Female)
 No. of Contact Position: 1 (9 Pos.)

Lead Free Code: H
 Halogen Free
 Package Code: 4 (Soft Tray Package)
 Extension Code: H
 Contact Area Plating: C (30u" Pd/Ni+GOLD FLASH)

X. ±	X* ±	UNITS	mm
.X ± 0.38	.X* ±	MAT'L	
.XX ± 0.25	.XX* ±		N/A
.XXX ±	.XXX* ±	FINISH	N/A
THESE DRAWINGS AND SPECIFICATIONS ARE THE PROPERTY OF FOXCONN INTERCONNECT TECHNOLOGY LIMITED. AND SHALL NOT BE REPRODUCED COPIED OR USED IN ANY MANNER WITHOUT THE PRIOR WRITTEN CONSENT OF FOXCONN INTERCONNECT TECHNOLOGY LIMITED.		Q'TY	N/A

NAME(INTENDED USE)	CUSTOMER
PART NO.(INTENDED USE)	UAA111C-4T562-4H
APPD:	Dean Zhang 12/25'15
CHKD:	Richard Yu 12/25'15
DR:	Jerry Meng 12/25'15

FOXCONN®
 FOXCONN INTERCONNECT TECHNOLOGY LIMITED.

CLASS:
 CONFIDENTIAL SECRET GENERAL

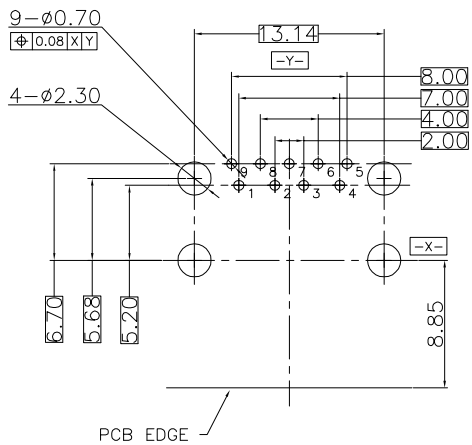
TITLE: USB3.1 SINGLE HIGH RISE TYPE

DWG NO.: 301-0000-3059

SCALE	SHEET	REV.
N/A	1/2	A

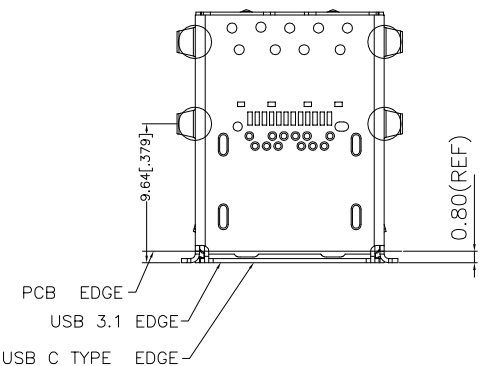
REV.	ECN. NO.	APPD.
------	----------	-------

See sheet 1/2

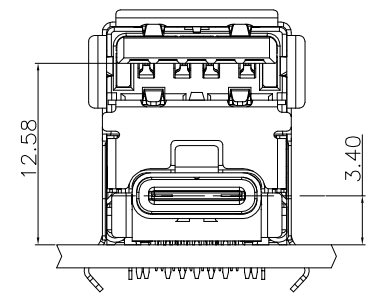


RECOMMENDED P.C.B LAYOUT (COMPONENT SIDE)

PCB THICKNESS: 1.60±0.05mm
 DEFAULT TOLERANCE: ±0.05



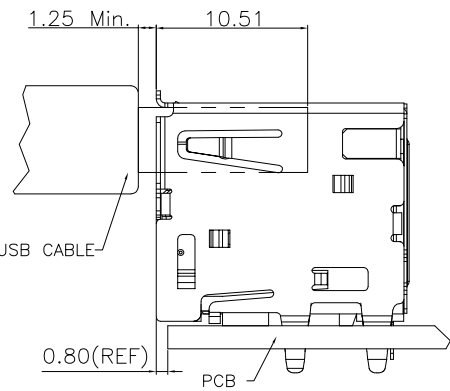
RECOMMENDED CONNECTOR EDGE (COMPONENT SIDE)



HIGE RISE USB3.1+USB C TYPE

PIN ASSIGNMENT:

Pin No.	1	2	3	4	5	6	7	8	9
Signal Name	VBUS	D-	D+	GND	SSRX-	SSRX+	GND_DRAIN	SSTX-	SSTX+
Remark	USB2.0 Contact Pin			USB3.1 Contact Pin					



RECESSED MOUNTING CONFIGURATION

X. ±	X*. ±	UNITS	mm	NAME(INTENDED USE)	FOXCONN® FOXCONN INTERCONNECT TECHNOLOGY LIMITED.									
.X ± 0.38	.X* ±	MAT'L		CUSTOMER										
.XX ± 0.25	.XX* ±		N/A	PART NO.(INTENDED USE)	CLASS: <input type="checkbox"/> CONFIDENTIAL <input type="checkbox"/> SECRET <input checked="" type="checkbox"/> GENERAL									
.XXX±	.XXX*±	FINISH		UAA111C-4T562-4H	TITLE: USB3.1 SINGLE HIGH RISE TYPE									
THESE DRAWINGS AND SPECIFICATIONS ARE THE PROPERTY OF FOXCONN INTERCONNECT TECHNOLOGY LIMITED. AND SHALL NOT BE REPRODUCED COPIED OR USED IN ANY MANNER WITHOUT THE PRIOR WRITTEN CONSENT OF FOXCONN INTERCONNECT TECHNOLOGY LIMITED.				APPD:	Dean Zhang 12/25'15	DWG NO.:	301-0000-3059							
				Q'TY		CHKD:	Richard Yu 12/25'15	<table border="1"> <tr> <td>SCALE</td> <td>SHEET</td> <td>REV.</td> </tr> <tr> <td>N/A</td> <td>2/2</td> <td>A</td> </tr> </table>	SCALE	SHEET	REV.	N/A	2/2	A
				SCALE	SHEET	REV.								
N/A	2/2	A												
		DR:	Jerry Meng 12/25'15											

