



AN90017

Load switches for mobile and computing applications

Rev. 1.0 — 2 September 2020

application note

Document information

Information	Content
Keywords	Load switch, MOSFET, mobile, computing
Abstract	This application note presents simple load switches in mobile and computing applications.

1. Types of load switches

There are several reasons why a circuit or subsystem is required to be disconnected from the power supply using a load switch. A very simple and very common reason is that it helps saving power. An unpowered subsystem can eliminate power consumption due to leakage or standby currents. In portable electronic devices, load switches can be used to prevent damage from electrical surges, incorrect battery insertion and other damaging events that can enter through the power source.

Before diving deeper into the key parameters, let's look at the different types of load switches. A high-side load switch connects or disconnects a power source to a load. The switch is controlled by an external enable signal. High-side switches source current to a load. Low-side switches connect or disconnect the load to ground, thus sinking current from the load.

A load switch can be easily implemented with a MOSFET pass transistor. The MOSFET passes current from the power source to the load and is turned on or off via a control signal. Providing the control signal to the MOSFET, a gate-drive circuit connects to the MOSFET's gate to switch the MOSFET on or off.

2. P-channel MOSFET load switch

Using a P-channel MOSFET a high-side load switch can be implemented by connecting the input voltage to the MOSFET source and the load to the MOSFET drain; see [Fig. 1](#). Pulling the gate low will enable current to flow into the load.

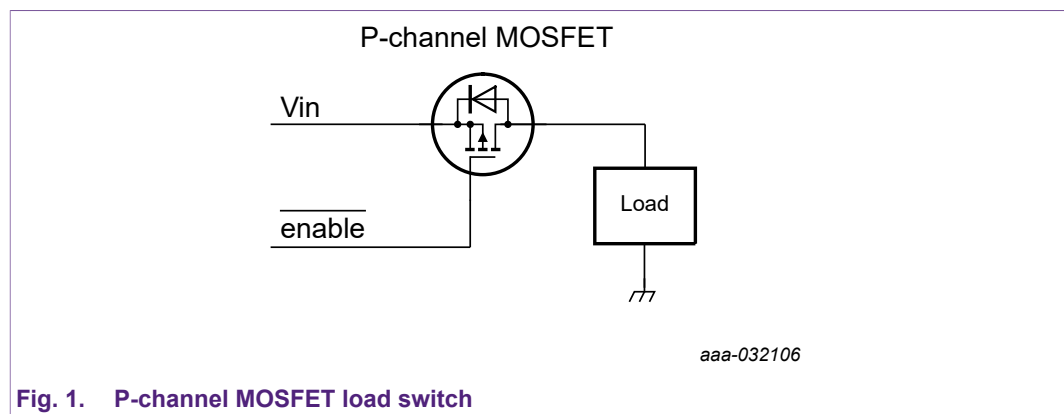
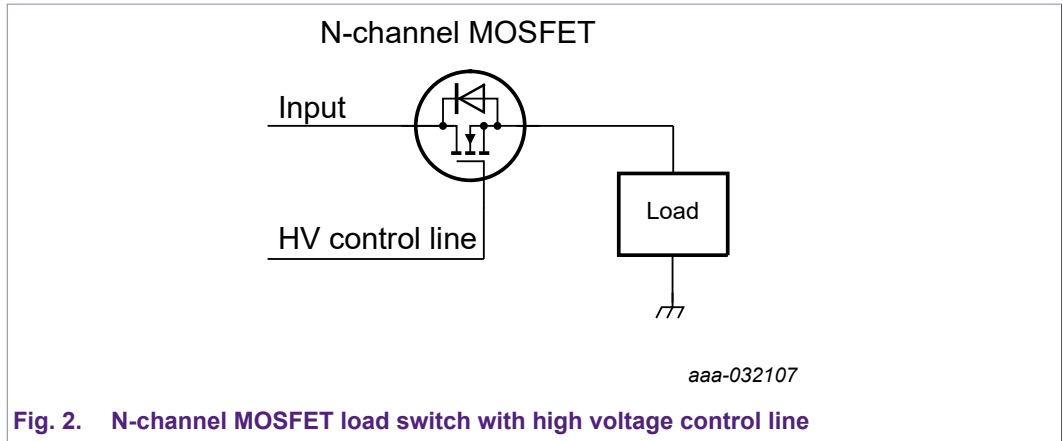


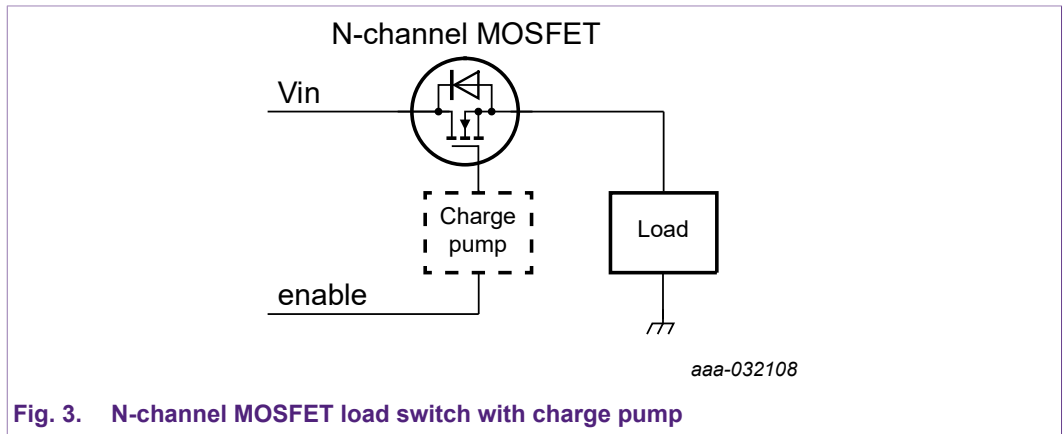
Fig. 1. P-channel MOSFET load switch

3. N-channel MOSFET load switches

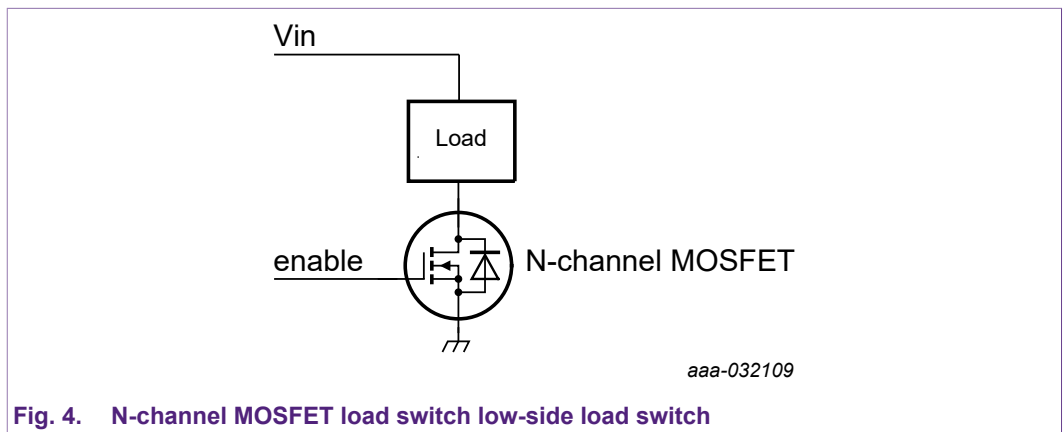
N-channel MOSFETs have lower on-state resistance values than P-channel devices of the same size. However, to achieve the lower resistance values, a high voltage is needed to drive a MOSFET's gate in the implementation of a high-side load switch using an N-channel MOSFET, see [Fig. 2](#). A voltage higher than the input voltage V_{in} has to be provided for correct gate drive, otherwise the MOSFET would not turn on fully and will operate in linear mode with high power losses.



If a high enough voltage to drive the gate is not available, a charge-pump circuit can be used to increase the drive voltage applied to the MOSFET's gate, see Fig. 3. While this increases the complexity of the circuit, it is rewarded with the lower ON resistance of the N-channel MOSFET. However a charge-pump circuit will dissipate some power so that in very energy critical applications that may stay most of the time in stand-by mode, a P-channel topology can be more efficient.



Without high voltage or additional circuitry, the N-channel MOSFET can be used in a low-side load switch. This implementation of a low-side load switch is shown in Fig. 4. A downside of the low-side load switch is the slight lifting of the ground potential of the load. This needs to be considered especially if the load has communication lines with external components.



More advanced load switch features include reverse voltage protection, reverse current protection. These can be implemented with MOSFETs in common-drain or common-source configuration as shown in the next section.

4. Reverse current protected load switches

Load switches based on a single MOSFET topology can block current in one direction only. As MOSFETs have an inherent body diode they act like a diode in off-state if driven reverse. In some applications it is required to be able to block current flow in both directions.

Applications, that need blocking of reverse currents are e.g. battery driven applications, where discharge of the battery shall be prevented for fault conditions like a short at the charger connector side or in case of electrical failure causing leakage in connected cables and AC adapters.

A common way to block reverse currents is by applying diodes. However, this function can be realized far more efficiently with MOSFET load switches. In order to achieve blocking for both current directions, two MOSFETs have to be put in series with reverse polarity to each other. In this case one of the body diodes can block current flow if not both MOSFETs are turned on. This approach allows to create two alternative topologies of back-drive protected load switches. Either the drain contacts or the source contacts can be connected.

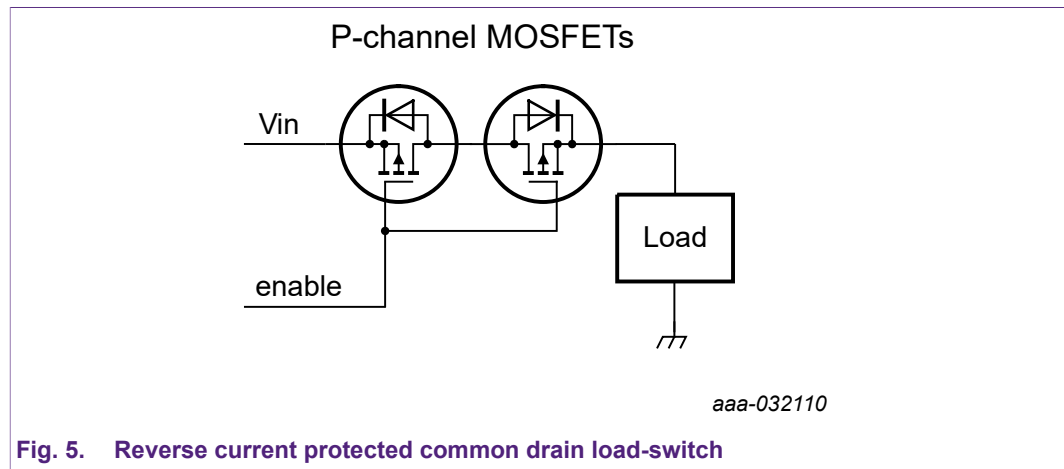


Fig. 5. Reverse current protected common drain load-switch

Control of the back-drive protected load switches can be done with separate gate drive or connected gates. The common drain topology, (see Fig. 5), has the advantage for a semiconductor component that the drain contact is located towards the substrate side. So, the common drain can be attached directly to the lead frame with a good thermal path into the PCB. For mobile applications often Chip-Scale Packages (CSP) can be found. Here the source and gate contacts are facing down to the PCB whereas a drain contact needs an additional down contact. If there is no need to make the drain accessible necessarily. In this case a CSP design becomes very space efficient because no chip area needs to be sacrificed for down connections of drain.

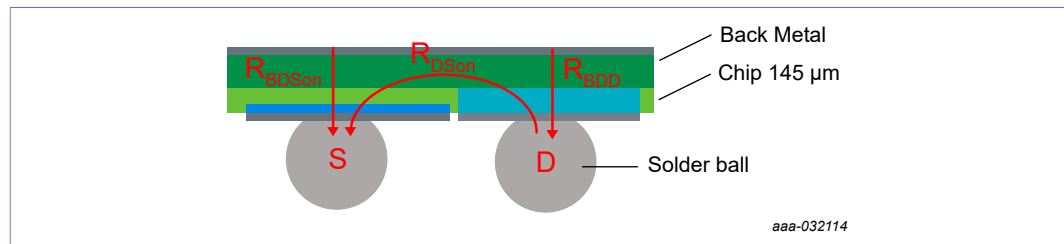


Fig. 6. Turn-on resistance ($R_{DS(on)}$) of a single Chip-scale Package MOSFET

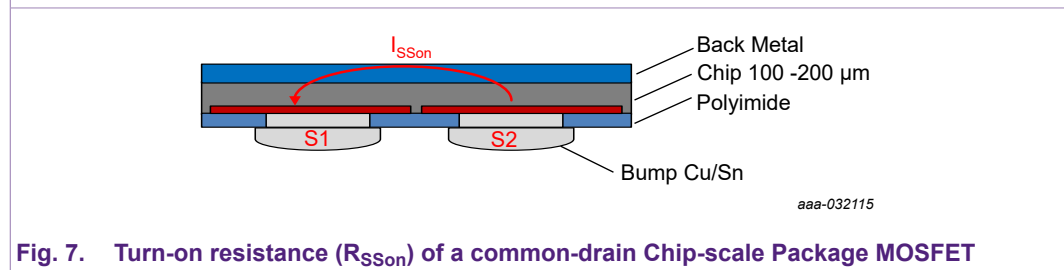


Fig. 7. Turn-on resistance ($R_{SS(on)}$) of a common-drain Chip-scale Package MOSFET

Load switches for mobile and computing applications

The common source topology requires an access to the source connection between the MOSFETs. The gate has to be discharged after a turn on, see [Fig. 8](#). This does not work without access to this node as the common sources might float.

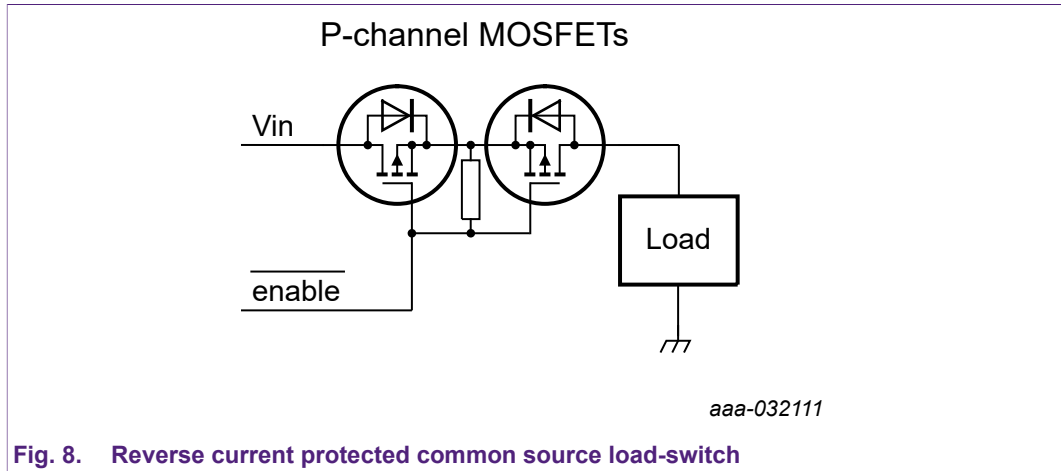


Fig. 8. Reverse current protected common source load-switch

5. Reverse polarity protection and supply OR-ing

In cases where no load switching is needed a single MOSFET can be used for reverse polarity protection only, see [Fig. 9](#). The MOSFET can replace simple diodes e.g. in supply OR-ing applications this has the advantage of a lower voltage drop across the MOSFET compared to the voltage drop across the diode.

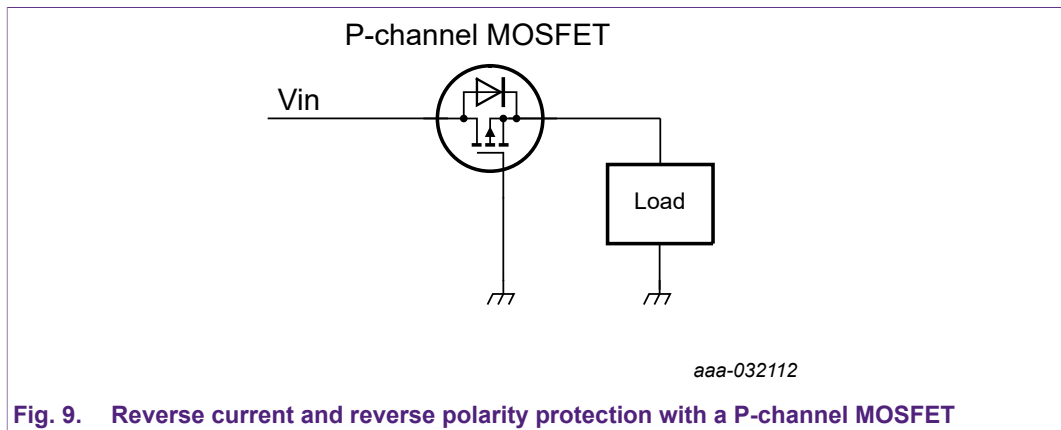


Fig. 9. Reverse current and reverse polarity protection with a P-channel MOSFET

Another important application of back-drive load-switches is power OR-ing, see [Fig. 10](#). If a circuit is able to be powered by one of several power supplies then current flow back into a non-selected supply has to be avoided.

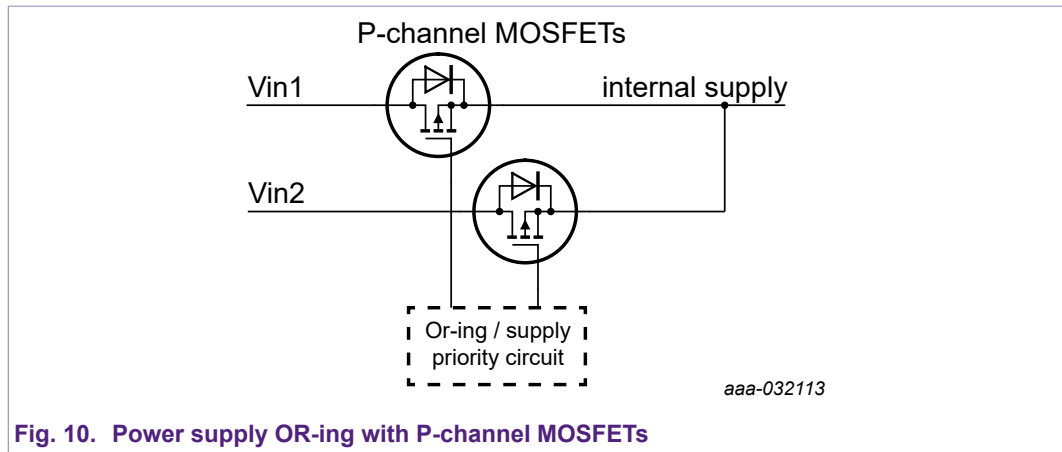


Fig. 10. Power supply OR-ing with P-channel MOSFETs

6. Important parameters

Important key parameters of a load switch are the on-state resistance ($R_{DS(on)}$) of the MOSFET that connects between the voltage input and voltage output pins, the maximum current ($I_{D(max)}$) that the MOSFET can conduct and the maximum voltage ($V_{DS(max)}$) that the circuit can withstand. The lower the on-state resistance, the lower the power dissipation of the transistor and also the lower the voltage drop from input to output.

While $R_{DS(on)}$, $I_{D(max)}$, and $V_{DS(max)}$ are parameters of the MOSFET, the maximum voltage drop and the maximum power dissipation of a load switch can be calculated for a given current I with the formulas below:

$$V_{drop} = I \times R_{DS(on)(max)} \quad (1)$$

$$P = I \times V_{drop} = I^2 \times R_{DS(on)(max)} \quad (2)$$

Today's MOSFETs typically have on-state resistance values in the tens of milliohms, so, for example, if the load switch has an ON resistance of 50 m Ω and controls a 200 mA load, the MOSFET dissipates just 2 mW when ON, and has an input-to-output voltage drop of 10 mV. Even a peak current of 1 A would only cause a voltage drop of 50 mV and a peak power dissipation of 50 mW.

As load switch circuits are active whenever the power is on they are designed to have low leakage currents, see Nexperia application note AN90009.

7. Revision history

Table 1. Revision history

Revision number	Date	Description
1.0	20200902	Initial version.

8. Legal information

Definitions

Draft — The document is a draft version only. The content is still under internal review and subject to formal approval, which may result in modifications or additions. Nexperia does not give any representations or warranties as to the accuracy or completeness of information included herein and shall have no liability for the consequences of use of such information.

Disclaimers

Limited warranty and liability — Information in this document is believed to be accurate and reliable. However, Nexperia does not give any representations or warranties, expressed or implied, as to the accuracy or completeness of such information and shall have no liability for the consequences of use of such information. Nexperia takes no responsibility for the content in this document if provided by an information source outside of Nexperia.

In no event shall Nexperia be liable for any indirect, incidental, punitive, special or consequential damages (including - without limitation - lost profits, lost savings, business interruption, costs related to the removal or replacement of any products or rework charges) whether or not such damages are based on tort (including negligence), warranty, breach of contract or any other legal theory.

Notwithstanding any damages that customer might incur for any reason whatsoever, Nexperia's aggregate and cumulative liability towards customer for the products described herein shall be limited in accordance with the Terms and conditions of commercial sale of Nexperia.

Right to make changes — Nexperia reserves the right to make changes to information published in this document, including without limitation specifications and product descriptions, at any time and without notice. This document supersedes and replaces all information supplied prior to the publication hereof.

Suitability for use — Nexperia products are not designed, authorized or warranted to be suitable for use in life support, life-critical or safety-critical systems or equipment, nor in applications where failure or malfunction of an Nexperia product can reasonably be expected to result in personal injury, death or severe property or environmental damage. Nexperia and its suppliers accept no liability for inclusion and/or use of Nexperia products in such equipment or applications and therefore such inclusion and/or use is at the customer's own risk.

Applications — Applications that are described herein for any of these products are for illustrative purposes only. Nexperia makes no representation or warranty that such applications will be suitable for the specified use without further testing or modification.

Customers are responsible for the design and operation of their applications and products using Nexperia products, and Nexperia accepts no liability for any assistance with applications or customer product design. It is customer's sole responsibility to determine whether the Nexperia product is suitable and fit for the customer's applications and products planned, as well as for the planned application and use of customer's third party customer(s). Customers should provide appropriate design and operating safeguards to minimize the risks associated with their applications and products.

Nexperia does not accept any liability related to any default, damage, costs or problem which is based on any weakness or default in the customer's applications or products, or the application or use by customer's third party customer(s). Customer is responsible for doing all necessary testing for the customer's applications and products using Nexperia products in order to avoid a default of the applications and the products or of the application or use by customer's third party customer(s). Nexperia does not accept any liability in this respect.

Export control — This document as well as the item(s) described herein may be subject to export control regulations. Export might require a prior authorization from competent authorities.

Translations — A non-English (translated) version of a document is for reference only. The English version shall prevail in case of any discrepancy between the translated and English versions.

Trademarks

Notice: All referenced brands, product names, service names and trademarks are the property of their respective owners.

List of Tables

Table 1. Revision history.....6

List of Figures

Fig. 1. P-channel MOSFET load switch.....	2
Fig. 2. N-channel MOSFET load switch with high voltage control line.....	3
Fig. 3. N-channel MOSFET load switch with charge pump..	3
Fig. 4. N-channel MOSFET load switch low-side load switch.....	3
Fig. 5. Reverse current protected common drain load-switch.....	4
Fig. 6. Turn-on resistance (R_{DSon}) of a single Chip-scale Package MOSFET.....	4
Fig. 7. Turn-on resistance (R_{SSon}) of a common-drain Chip-scale Package MOSFET.....	4
Fig. 8. Reverse current protected common source load-switch.....	5
Fig. 9. Reverse current and reverse polarity protection with a P-channel MOSFET.....	5
Fig. 10. Power supply OR-ing with P-channel MOSFETs....	6

Contents

1. Types of load switches.....	2
2. P-channel MOSFET load switch.....	2
3. N-channel MOSFET load switches.....	2
4. Reverse current protected load switches.....	4
5. Reverse polarity protection and supply OR-ing.....	5
6. Important parameters.....	6
7. Revision history.....	6
8. Legal information.....	7

© Nexperia B.V. 2020. All rights reserved

For more information, please visit: <http://www.nexperia.com>

For sales office addresses, please send an email to: salesaddresses@nexperia.com

Date of release: 2 September 2020
