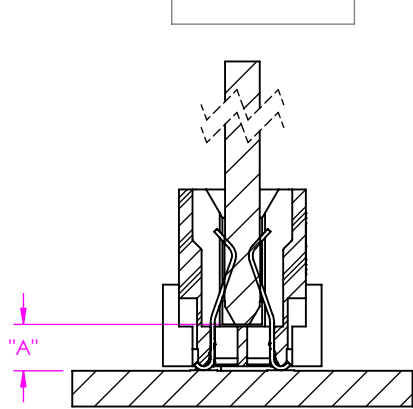


DO NOT
SCALE FROM
THIS PRINT

FIG 1
HSEC8-DV



SECTION "A"- "A"
SCALE 3 : 1

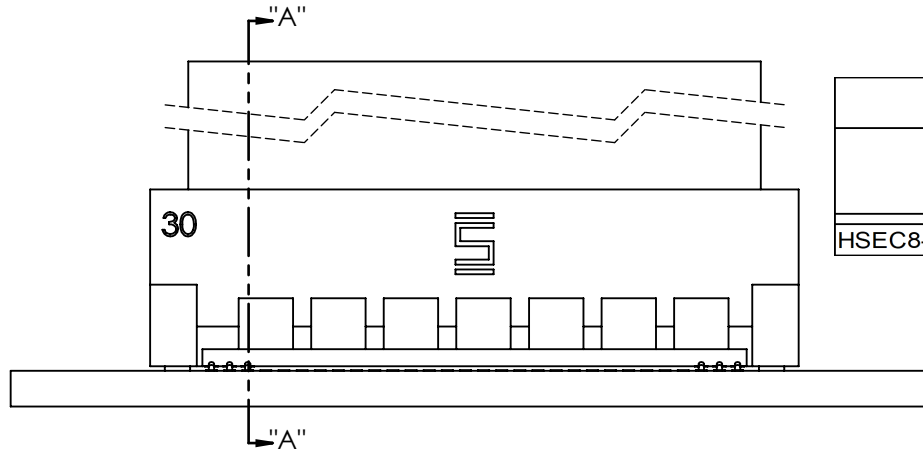
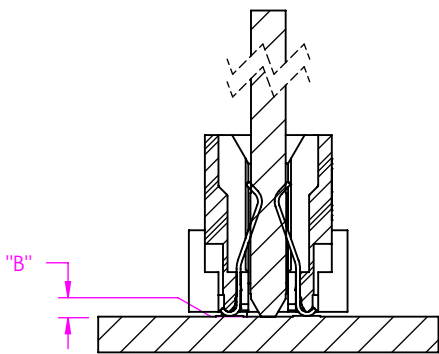


TABLE 1				
	"A" FULLY MATED	"A" MAX	MAX CONTACT WIPE	MIN CONTACT WIPE
HSEC8-DV	2.05 [0.081]	3.69 [0.145]	2.02 [0.080]	0.38 [0.015]

FIG 2
HSEC8-DV-PE
(WITHOUT CUTOUTS IN THE BOARD)



SECTION "B"- "B"
SCALE 3 : 1

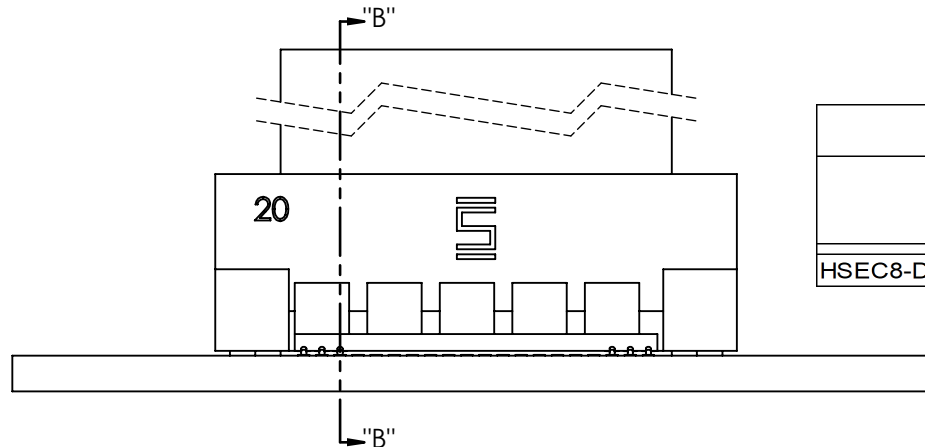


TABLE 2				
	"B" FULLY MATED	"B" MAX	MAX CONTACT WIPE	MIN CONTACT WIPE
HSEC8-DV-PE	0.00 [0.000]	3.74 [0.147]	4.12 [0.162]	0.38 [0.015]

- NOTES:
1. ALL DIMENSIONS BASED ON NOMINAL VALUES FOR SAMTEC RECOMMENDED PCB LAYOUTS.
 2. ALTHOUGH MAX DIMENSIONS ARE LISTED, SAMTEC RECOMMENDS FULLY MATING COMPONENTS.
 3. MAXIMUM ALLOWABLE ANGLE AT FULLY MATED NOMINAL CONDITIONS.

PROPRIETARY NOTE

THIS DOCUMENT CONTAINS INFORMATION CONFIDENTIAL AND PROPRIETARY TO SAMTEC, INC. AND SHALL NOT BE REPRODUCED OR TRANSFERRED TO OTHER DOCUMENTS OR DISCLOSED TO OTHERS OR USED FOR ANY PURPOSE OTHER THAN THAT WHICH IT WAS OBTAINED WITHOUT THE EXPRESSED WRITTEN CONSENT OF SAMTEC, INC.



520 PARK EAST BLVD, NEW ALBANY, IN 47150
PHONE: 812-944-6733 FAX: 812-948-5047
e-Mail info@SAMTEC.com code 55322

FIG 3
HSEC8-DV-PE
(WITH CUTOUTS IN THE BOARD, BOTTOM ENTRY)

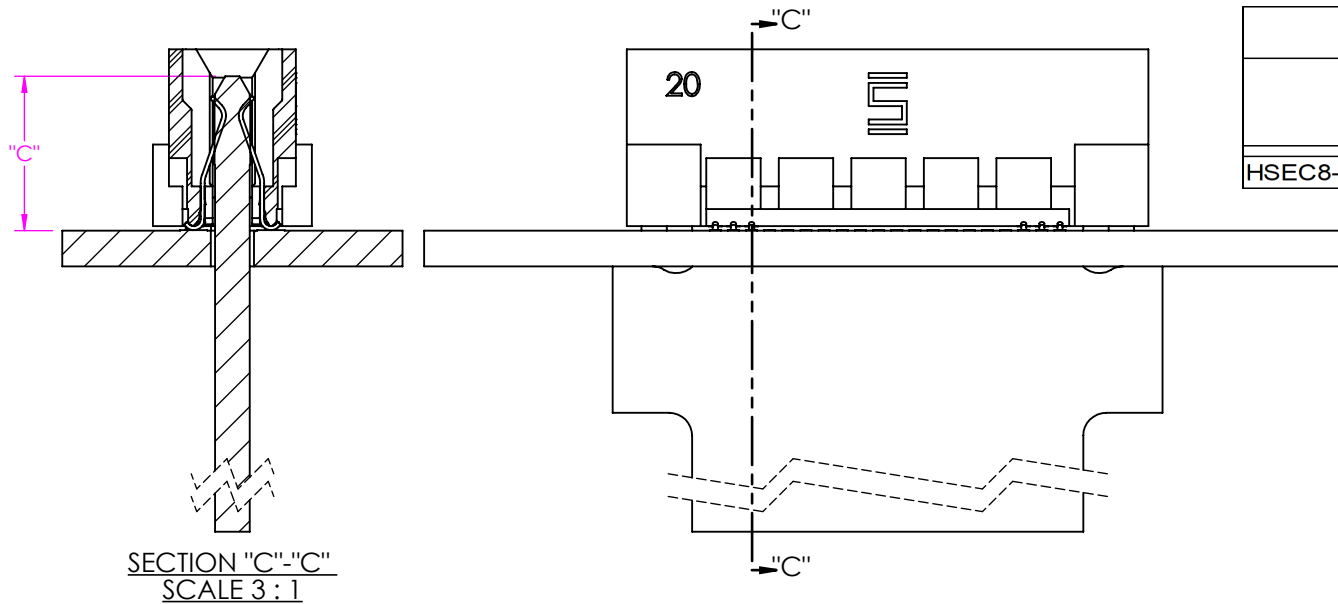


TABLE 3				
	"C" FULLY MATED	"C" MIN	MAX CONTACT WIPE	MIN CONTACT WIPE
HSEC8-DV-PE	6.81 [0.268]	6.52 [0.257]	0.67 [0.026]	0.38 [0.015]

FIG 4
HSEC8-DV-PE
(WITH CUTOUTS IN THE BOARD, TOP ENTRY)

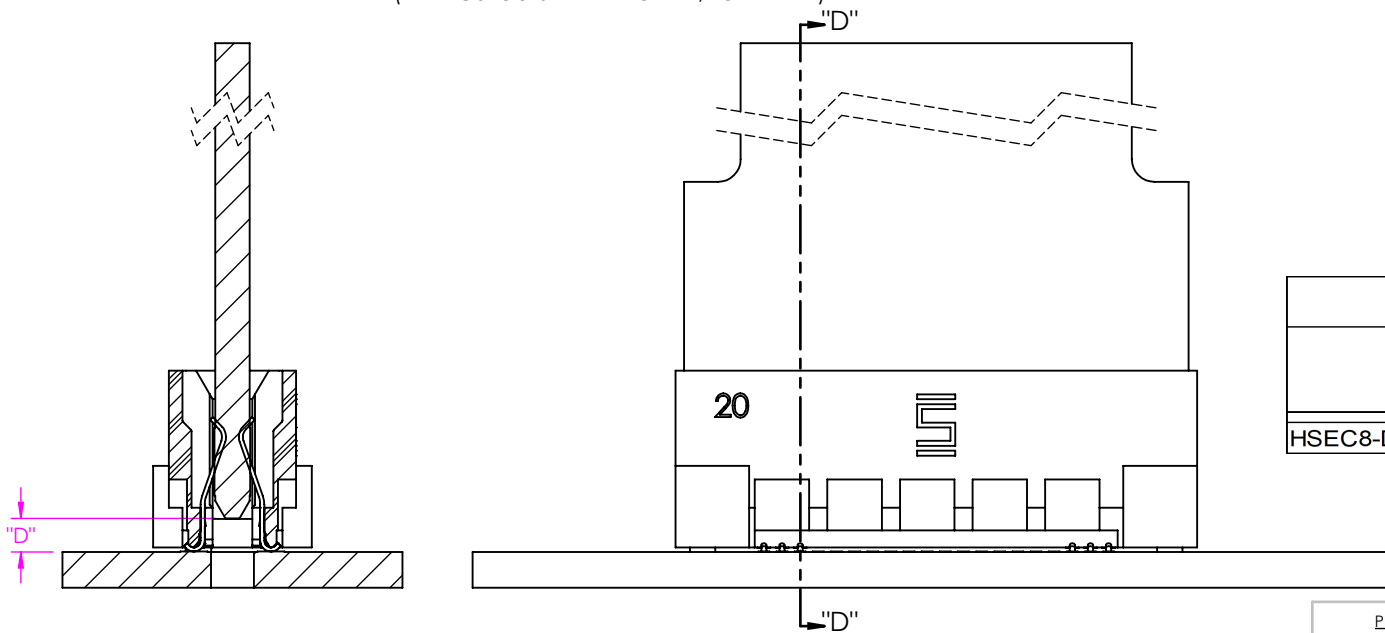


TABLE 4				
	"D" FULLY MATED	"D" MAX	MAX CONTACT WIPE	MIN CONTACT WIPE
HSEC8-DV-PE	1.48 [0.058]	3.70 [0.146]	2.60 [0.102]	0.38 [0.015]

PROPRIETARY NOTE

THIS DOCUMENT CONTAINS INFORMATION CONFIDENTIAL AND PROPRIETARY TO SAMTEC, INC. AND SHALL NOT BE REPRODUCED OR TRANSFERRED TO OTHER DOCUMENTS OR DISCLOSED TO OTHERS OR USED FOR ANY PURPOSE OTHER THAN THAT WHICH IT WAS OBTAINED WITHOUT THE EXPRESSED WRITTEN CONSENT OF SAMTEC, INC.



520 PARK EAST BLVD, NEW ALBANY, IN 47150
PHONE: 812-944-6733 FAX: 812-948-5047
e-Mail info@SAMTEC.com code 55322

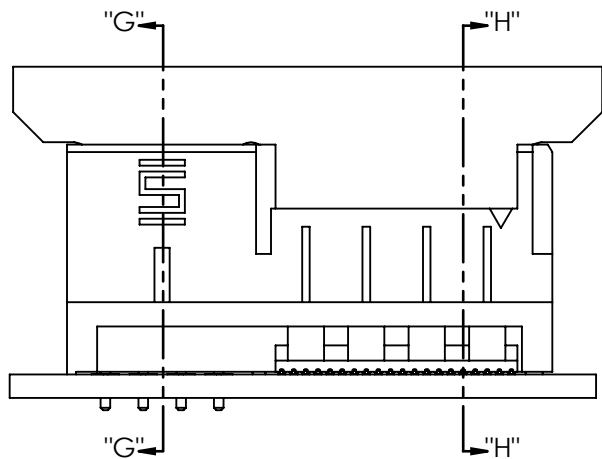
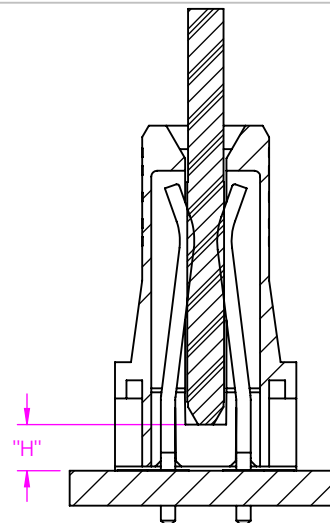
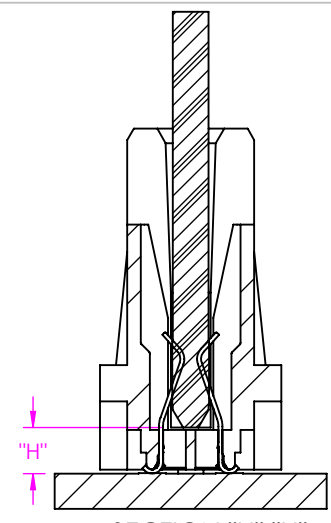


FIG 13
HSEC8-PV



SECTION "G"-"G"
SCALE 3 : 1
(POWER PIN)



SECTION "H"-"H"
SCALE 3 : 1
(SIGNAL PIN)

TABLE 8

	"H" FULLY MATED	"H" MAX	CONTACT WIPE			
			SIGNAL PIN		POWER PIN	
			MAX	MIN	MAX	MIN
HSEC8-PV	2.03 [0.080]	3.67 [0.144]	2.02 [0.080]	0.38 [0.015]	7.11 [0.280]	5.47 [0.215]

TABLE 9

	"J" FULLY MATED	"J" MAX	CONTACT WIPE			
			REGULAR PIN		DP PIN	
			MAX	MIN	MAX	MIN
HSEC8-DP	2.05 [0.081]	2.63 [0.104]	0.96 [0.038]	0.38 [0.015]	1.72 [0.068]	1.14 [0.045]

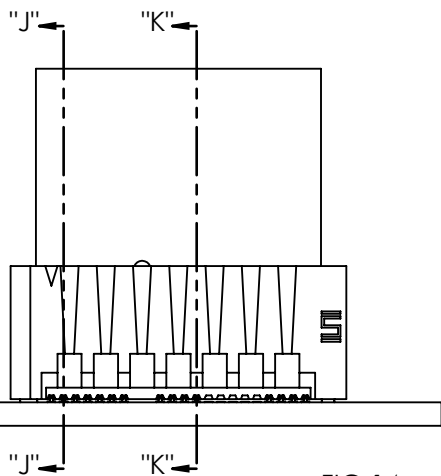
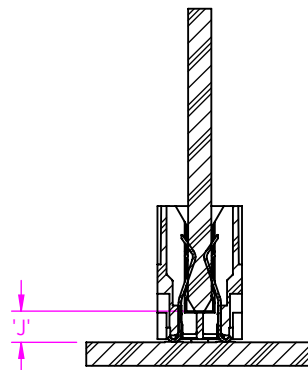
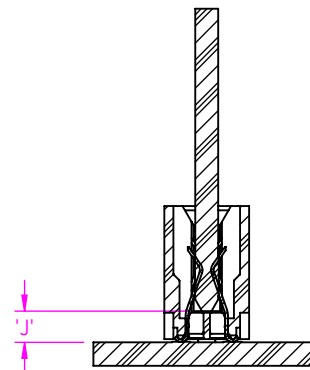


FIG 14
HSEC8-DP



SECTION "J"-"J"
(REGULAR PIN)



SECTION "K"-"K"
(DP PIN)

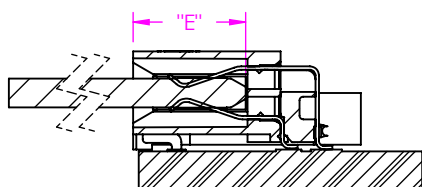
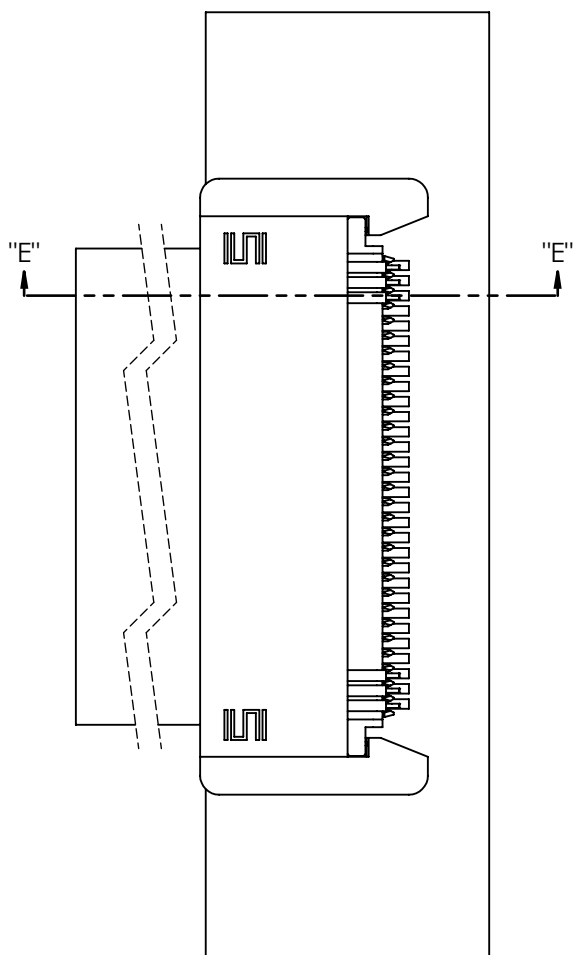
PROPRIETARY NOTE

THIS DOCUMENT CONTAINS INFORMATION CONFIDENTIAL AND PROPRIETARY TO SAMTEC, INC. AND SHALL NOT BE REPRODUCED OR TRANSFERRED TO OTHER DOCUMENTS OR DISCLOSED TO OTHERS OR USED FOR ANY PURPOSE OTHER THAN THAT WHICH IT WAS OBTAINED WITHOUT THE EXPRESSED WRITTEN CONSENT OF SAMTEC, INC.



520 PARK EAST BLVD, NEW ALBANY, IN 47150
PHONE: 812-944-6733 FAX: 812-948-5047
e-Mail info@SAMTEC.com code 55322

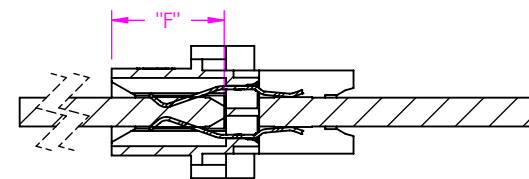
FIG 5
HSEC8-RA



SECTION "E"-"E"
SCALE 5 : 2

TABLE 5				
	"E" FULLY MATED	"E" MIN	MAX CONTACT WIPE	MIN CONTACT WIPE
HSEC8-RA	5.95 [0.234]	4.30 [0.169]	2.03 [0.080]	0.38 [0.015]

FIG 6
HSEC8-EM



SECTION "F"-"F"
SCALE 5 : 2

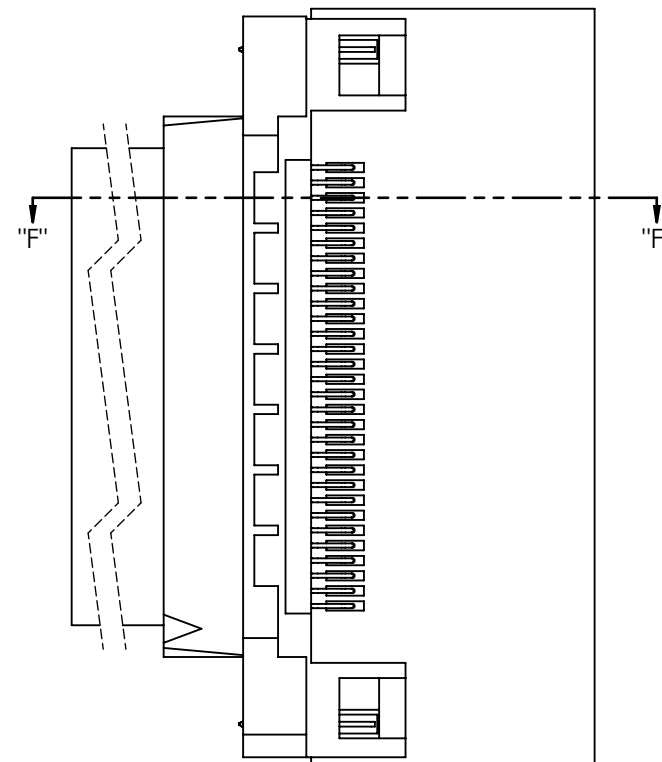


TABLE 6				
	"F" FULLY MATED	"F" MIN	MAX CONTACT WIPE	MIN CONTACT WIPE
HSEC8-EM	5.95 [0.234]	4.32 [0.170]	2.01 [0.079]	0.38 [0.015]

PROPRIETARY NOTE
THIS DOCUMENT CONTAINS INFORMATION CONFIDENTIAL AND PROPRIETARY TO SAMTEC, INC. AND SHALL NOT BE REPRODUCED OR TRANSFERRED TO OTHER DOCUMENTS OR DISCLOSED TO OTHERS OR USED FOR ANY PURPOSE OTHER THAN THAT WHICH IT WAS OBTAINED WITHOUT THE EXPRESSED WRITTEN CONSENT OF SAMTEC, INC.

520 PARK EAST BLVD, NEW ALBANY, IN 47150
PHONE: 812-944-6733 FAX: 812-948-5047
e-Mail info@SAMTEC.com code 55322

FIG 7
HSEC8-DV

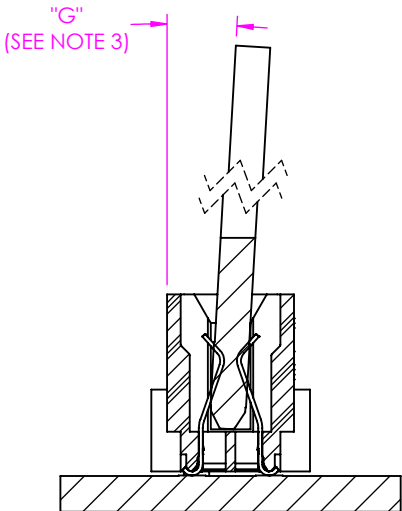


FIG 8
HSEC8-DV-PE
(WITHOUT CUTOUTS IN THE BOARD)

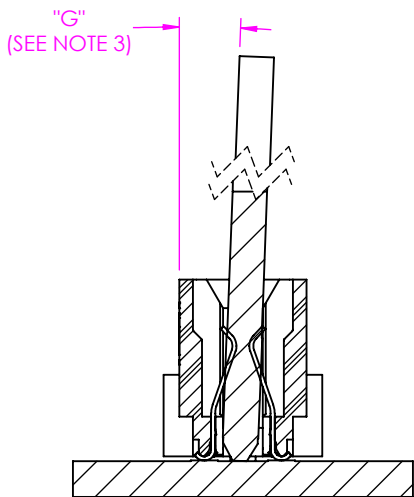


FIG 9
HSEC8-DV-PE
(WITH CUTOUTS IN THE BOARD, BOTTOM ENTRY)

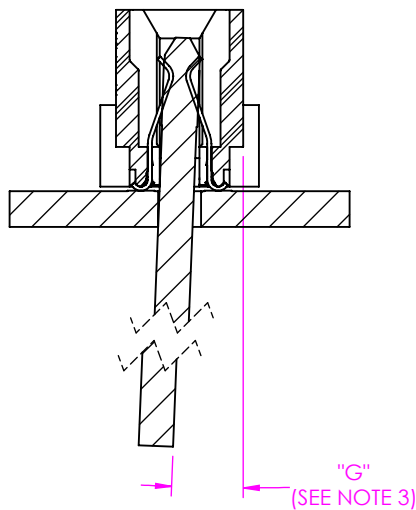


FIG 15
HSEC8-DP

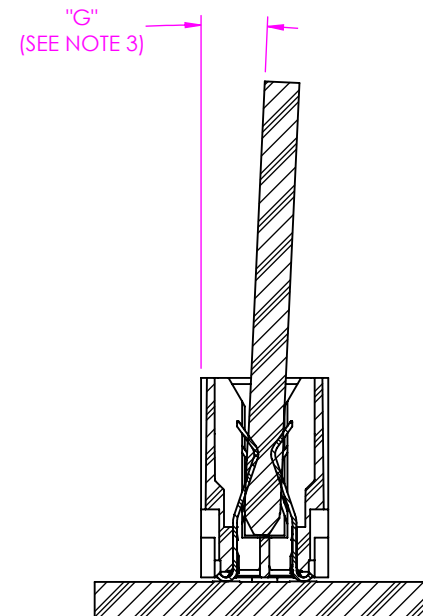


FIG 10
HSEC8-DV-PE
(WITH CUTOUTS IN THE BOARD, TOP ENTRY)

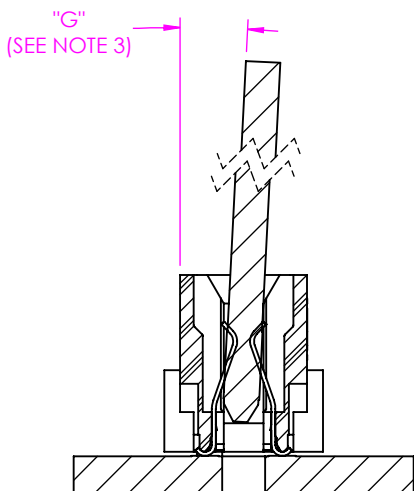


FIG 11
HSEC8-RA

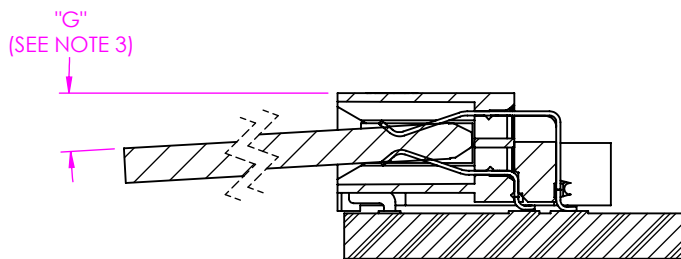


FIG 12
HSEC8-EM

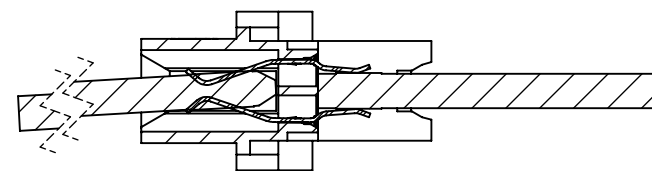


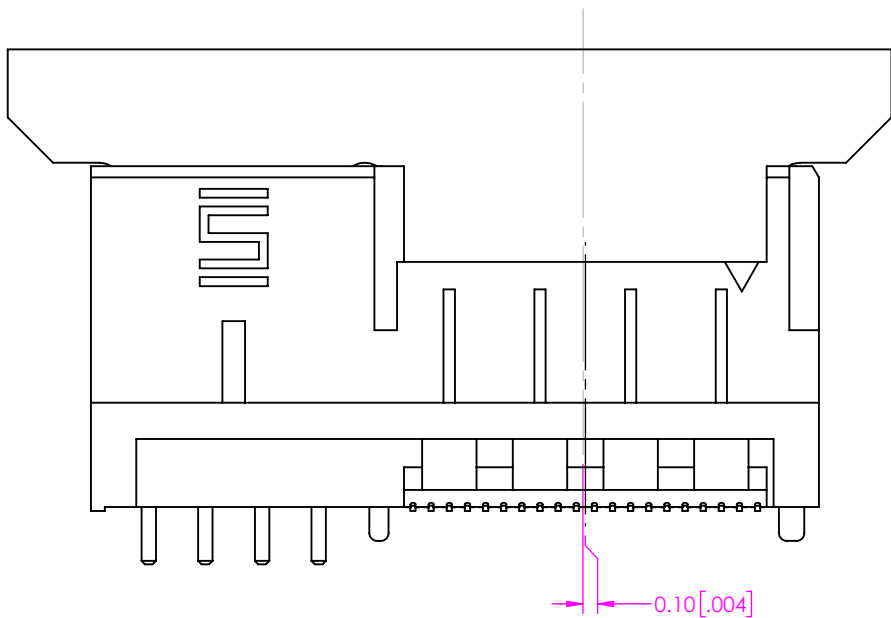
TABLE 7

	Maximum Allowable Angle at Nominal Conditions ("G")
FIG 7) HSEC8-DV	2°
FIG 8) HSEC8-DV-PE W/O CUTOUTS	1.5°
FIG 9) HSEC8-DV-PE W CUTOUTS (BOTTOM ENTRY)	1.5°
FIG 10) HSEC8-DV-PE W CUTOUTS (TOP ENTRY)	2°
FIG 11) HSEC8-RA	2°
FIG 12) HSEC8-EM	3°
FIG 15) HSEC8-DP	2.6°

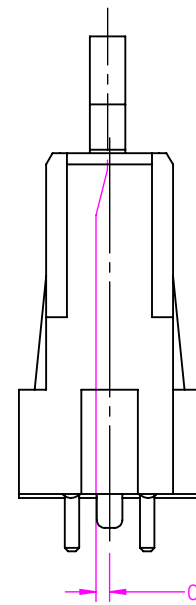
PROPRIETARY NOTE
THIS DOCUMENT CONTAINS INFORMATION CONFIDENTIAL AND PROPRIETARY TO SAMTEC, INC. AND SHALL NOT BE REPRODUCED OR TRANSFERRED TO OTHER DOCUMENTS OR DISCLOSED TO OTHERS OR USED FOR ANY PURPOSE OTHER THAN THAT WHICH IT WAS OBTAINED WITHOUT THE EXPRESSED WRITTEN CONSENT OF SAMTEC, INC.



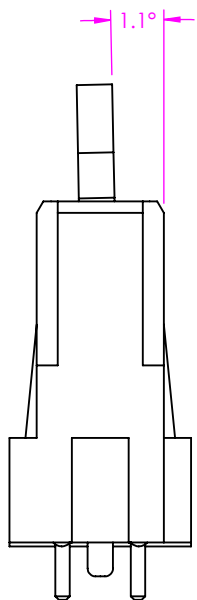
520 PARK EAST BLVD., NEW ALBANY, IN 47150
PHONE: 812-944-6733 FAX: 812-948-5047
e-Mail info@SAMTEC.com code 55322



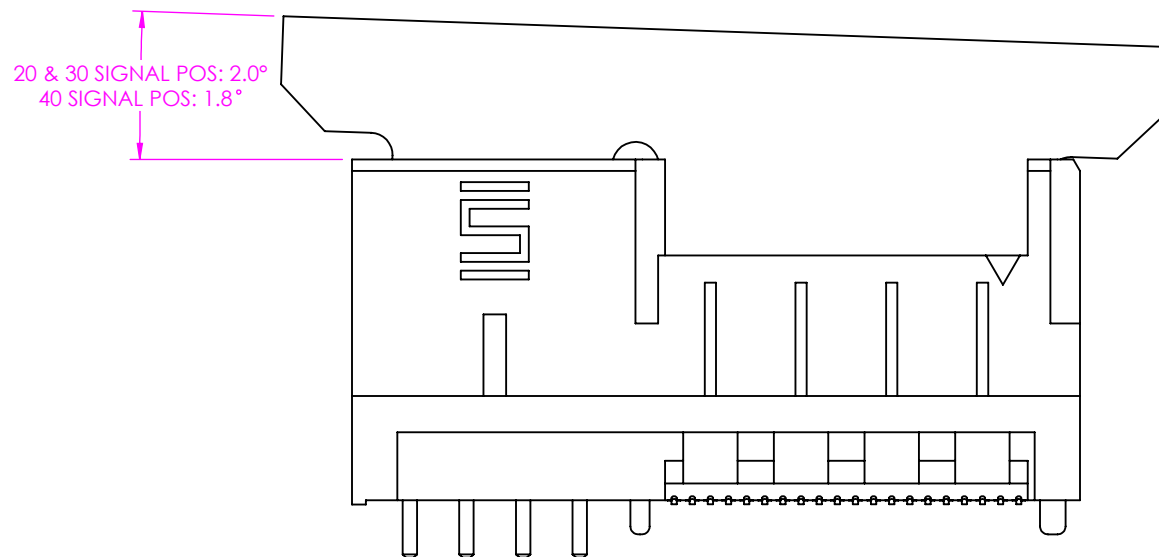
HSEC8-PV FINAL X AXIS LINEAR MISALIGNMENT



HSEC8-PV FINAL Y AXIS LINEAR MISALIGNMENT



HSEC8-PV FINAL X AXIS ANGULAR MISALIGNMENT



HSEC8-PV FINAL Y AXIS ANGULAR MISALIGNMENT

PROPRIETARY NOTE

THIS DOCUMENT CONTAINS CONFIDENTIAL AND PROPRIETARY INFORMATION AND ALL DESIGN, MANUFACTURING, REPRODUCTION, USE, PATENT RIGHTS AND SALES RIGHTS ARE EXPRESSLY RESERVED BY SAMTEC, INC. THIS DOCUMENT SHALL NOT BE DISCLOSED, IN WHOLE OR PART, TO ANY UNAUTHORIZED PERSON OR ENTITY NOR REPRODUCED, TRANSFERRED OR INCORPORATED IN ANY OTHER PROJECT IN ANY MANNER WITHOUT THE EXPRESS WRITTEN CONSENT OF SAMTEC, INC.

520 PARK EAST BLVD, NEW ALBANY, IN 47150
 PHONE: 812-944-6733 FAX: 812-948-5047
 e-Mail info@SAMTEC.com code 55322