

THIS DRAWING IS UNPUBLISHED.

RELEASED FOR PUBLICATION

20

© COPYRIGHT 2020

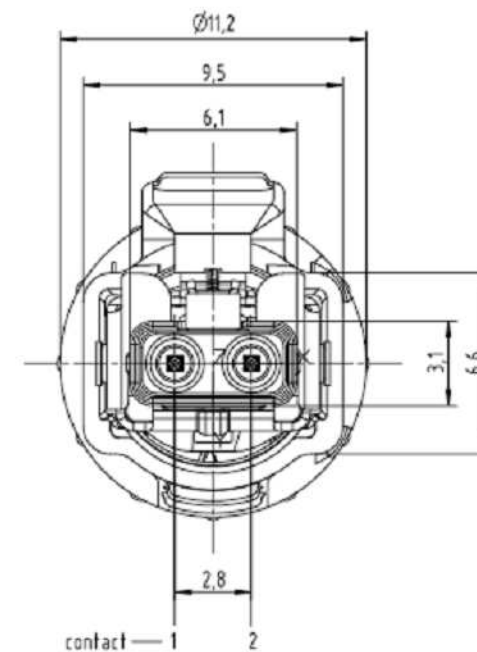
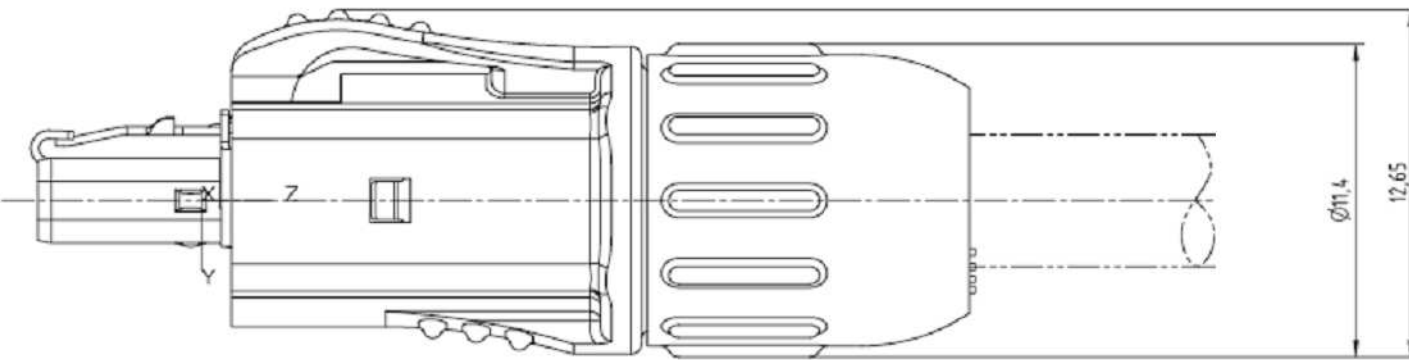
TE Connectivity. All Rights Reserved. ALL RIGHTS RESERVED.

LOC	DIST
-	-

REVISIONS

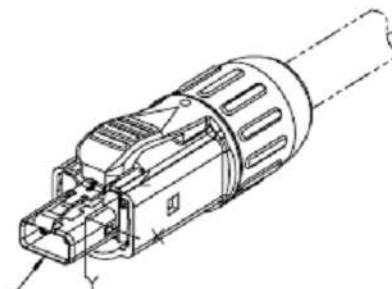
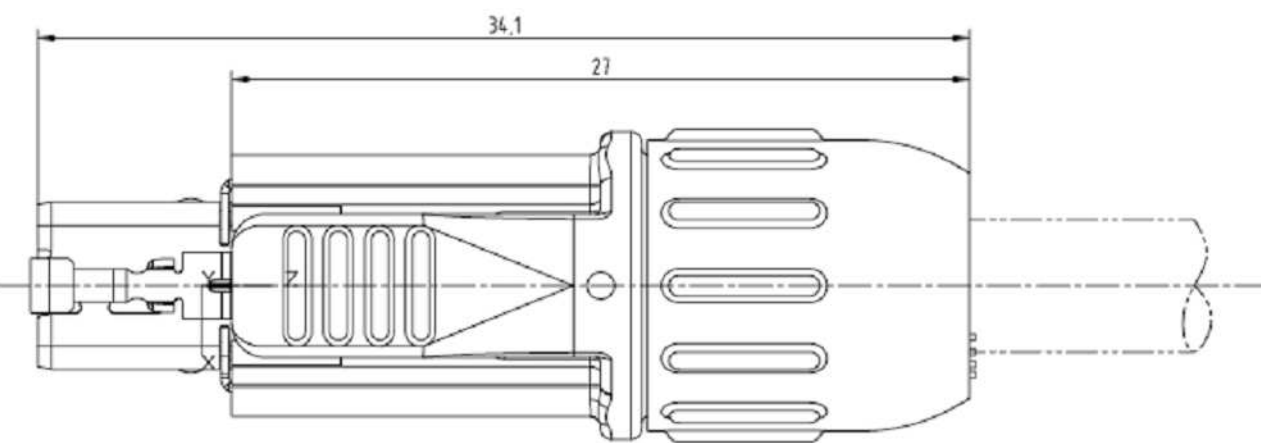
P	LTR	DESCRIPTION	DATE	DWN	APVD
1		INITIATE	24OCT2019	PP	JDB
2		VIEWS CREATED BY 3D CVM	02APR2020	PP	JDB
3		ADDED INFO TABLE	15OCT2020	PP	JDB

PRODUCT AS SHOWN WITH CONTACTS (TO BE ORDERED SEPARATELY)



**PRELIMINARY PART
NOT RELEASED FOR PRODUCTION**

**THIS PRODUCT HAS NOT COMPLETED
VALIDATION TESTING**



mating face acc. to IEC 63171-6

NOTES:

- PRODUCT AS SHOWN WILL BE DELIVERED AS KIT:
- WITHOUT CONTACTS AND CABLE.
- FOR AVAILABLE CONTACTS TYPES SEE DRAWING:
- 2368258
- FOR AVAILABLE CABLE TYPES SEE DRAWING:
- 2368259 FOR SPE CABLE AWG 26;
- 2368898 FOR SPE CABLE AWG 22.
- COUNTERPART P/N 2364151
- FOR PRODUCT ASSEMBLY AND USE SEE APPLICATION SPECIFICATION 114-19163.

1-2364150-1	100 PIECES
PART NO:	PACKAGING:

CONTACT	PMA SIGNAL
1	BI_DA+
2	BI_DA-

THIS DRAWING IS A CONTROLLED DOCUMENT.		DWN P. POORTER 24OCT2019	TE Connectivity SPE T1 INDUSTRIAL PLUG IP20 KIT												
DIMENSIONS: mm		CHK P. JAEGER 24OCT2019				NAME	-								
TOLERANCES UNLESS OTHERWISE SPECIFIED:		APVD J. DE BRUIJN 24OCT2019				PRODUCT SPEC	108-19501								
<table border="0"> <tr><td>0 PLC</td><td>±-</td></tr> <tr><td>1 PLC</td><td>±-</td></tr> <tr><td>2 PLC</td><td>±-</td></tr> <tr><td>3 PLC</td><td>±-</td></tr> <tr><td>4 PLC</td><td>±-</td></tr> <tr><td>ANGLES</td><td>±-</td></tr> </table>		0 PLC				±-	1 PLC	±-	2 PLC	±-	3 PLC	±-	4 PLC	±-	ANGLES
0 PLC	±-														
1 PLC	±-														
2 PLC	±-														
3 PLC	±-														
4 PLC	±-														
ANGLES	±-														
MATERIAL TBD	FINISH -	WEIGHT TBD	SIZE A3	CAGE CODE 00779	DRAWING NO C-2364150	RESTRICTED TO -									
CUSTOMER DRAWING			SCALE 4:1	SHEET 1	OF 1	REV 3									