

## ZPA2326-0311A-R

### Barometric Pressure Sensor ZPA Series



#### Features

- Very low current consumption
- Very stable in temperature drift
- Very low noise
- Small size SMD package  
(L2.3 x W2.6 x H0.875 mm)

#### Applications

- Mobile/Wearable device
- Weather forecasting
- Indoor navigation
- Z-axis detection
- Falling Detection

#### Overview

Our product is capacitive type MEMS pressure sensor. It consists of a MEMS element, a Capacitor-to-Digital Converter (CDC) and a digital block with the digital correction, calibration non-volatile memory bits, FIFO, SPI and I2C interfaces. A pressure value can be acquired by the product calculating using two kinds of capacitance value, Csense and Cref, outputted from the MEMS element.

It can offer low current consumption, low drift for temperature change and low noise performance. Implementing full calibration function is included in ASIC. So it is very easy to use.

---

#### Attention:

This datasheet is downloaded from the website of Murata Manufacturing Co., Ltd. Therefore, it's specifications are subject to change or our products in it may be discontinued without advance notice. Please check with our sales representatives or product engineers before ordering.

## TABLE OF CONTENT

<b>1. Introduction</b> .....	<b>1</b>
<b>2. Specifications</b> .....	<b>3</b>
2.1 Mechanical and electrical characteristics	
2.2 Absolute maximum ratings	
2.3 DC/AC characteristics for inputs and outputs	
<b>3. Measurement direction</b> .....	<b>6</b>
3.1 Technical description	
3.2 Typical application circuit	
3.3 Connecting components information	
3.4 Digital interfaces	
3.5 I2C interface	
3.6 I2C operation	
3.7 SPI interface	
3.8 SPI read	
3.9 SPI write	
3.10 SPI read in 3-wires mode	
3.11 FIFO operation	
3.12 Interrupt operation	
3.13 Heading2	
3.14 Register description	
<b>4. Dimension, Land Pattern and Pin Description</b> .....	<b>26</b>
4.1 Package outline	
4.2 Pin description	
4.3 Recommended land pattern	
4.4 Recommended reflow-soldering profile	
<b>5. Packing</b> .....	<b>28</b>
5.1 External Dimensions of Career Tape	
5.2 External Dimensions of Reel	
<b>6. ⚠CAUTION</b> .....	<b>30</b>
6.1 Notice in handling	
6.2 Notice in storage	
6.3 Notice in application	
6.4 Note	

### Attention:

This datasheet is downloaded from the website of Murata Manufacturing Co., Ltd. Therefore, it's specifications are subject to change or our products in it may be discontinued without advance notice. Please check with our sales representatives or product engineers before ordering.

## 2. Specifications

### 2.1 Mechanical and electrical characteristics

Table 1. Characteristics list (At the time of Shipment)

Parameter		Condition	Min.	Typ.	Max.	Units
Package size	Area			2.3x2.6		mm
	Height				0.95	mm
Temperature range	Operating		-40		+85	degC
	Full accuracy		-10		+65	degC
Supply voltage (*1)	VDD		1.71	1.8	2.0	V
Negative supply voltage	VSS		0.0		0.0	V
Interface			SPI / I2C			
SPI frequency					1	MHz
I2C frequency					400	kHz
FIFO depth					24x16	Bits
Operation range			300		1100	hPa
Pressure resolution				1/64		Pa
Relative accuracy	T=+25degC, P range= 800 to1100hPa ΔP=100hPa			+/-0.1		hPa
Absolute accuracy	T= -10 to 65degC, P range= 800 to1100hPa			+/-0.8		hPa
Temperature drift coefficient	T= +10 to 65degC, P= 1000hPa Absolute value			0.8		Pa/degC
ODR		One-shot		11	23	S/s
Capacitance conversion time (*2)			41.5	83	166	ms
Current consumption (*3)	Device disabled			0.4		μA
	Device enabled. No measurements running.			19.5		μA
	Conversion time=1s			31.7		μA
	Conversion time=1/6s			6.3		μA
	Conversion time=1/12s			3.8		μA
Pressure RMS noise (*4)	Conversion time=1s			0.5		Pa <sub>rms</sub>
	Conversion time=1/6s			1.1		Pa <sub>rms</sub>
	Conversion time=1/12s			2.1		Pa <sub>rms</sub>
Power-Up time	Waiting time from ENABLE bit set to '1' to next SPI/I2C access.				1	ms
Solder drifts				-0.5		hPa
Temperature resolution (*5)				0.1		degC
Temperature conversion time			3.4	3.5	3.6	ms
Temperature absolute accuracy	T= -10 to 10degC		-4		+4	degC
	T= 10 to 65degC		-2.5		+2.5	degC
Temperature noise (*6)	T= -10 to 65degC			0.05		degC <sub>rms</sub>

#### Attention:

This datasheet is downloaded from the website of Murata Manufacturing Co., Ltd. Therefore, its specifications are subject to change or our products in it may be discontinued without advance notice. Please check with our sales representatives or product engineers before ordering.

Note:

- \*1. The rise time for this supply must be much more than 10μs.
- \*2. Typical conversion time corresponds to an ODR of 11S/s, minimum conversion time corresponds to an ODR of 23S/s; and maximum conversion time corresponds to an ODR whether 5S/s and 1S/s. The output when selecting ODR=1S/s is built by averaging of 5 samples measured at 5S/s.
- \*3. With One-shot mode (ODR=1S/s) at 1 sample/sec, T=25±2degC.
- \*4. For P= 1000hPa. The RMS noise is related to the CSENSE measurement.
- \*5. The measured temperature follows the equation :  $Temp[degC] = Temp_{code} \cdot 0.00649 - 176.83$   
where  $Temp_{code}$  is the digital 16b code which can be read from the registers TEMP\_OUT\_H and TEMP\_OUT\_L.
- \*6. The outputted temperature by temperature sensor is product internal value.

## 2.2 Absolute maximum ratings

Table 2. Absolute maximum rating

Parameter	Condition	Min.	Max.	Units
Storage temperature		-40	+95	degC
Supply voltage	VDD	-0.3	+3.6	V
Input/output pin voltage		-0.3	VDD+0.3	V
ESD rating	HBM	-2	+2	kV
Overpressure			10,000	hPa

Note:

1. All voltage values are based on GND potential.
2. Do not use the sensor of deviating from the above mentioned ratings.

## 2.3 DC/AC characteristics for inputs and outputs

### Digital inputs

Table 3. CMOS digital input with Schmitt-trigger (CS, SCLK/SCL, SDIN/SDA)

Parameter	Symbol	Condition	Min.	Max.	Units
High level input voltage	V_IH		0.7*VDD		V
Low level input voltage	V_IL			0.3*VDD	V
Negative-going threshold	VT_N	VDD=2.0V	0.63	0.975	V
Positive-going threshold	VT_P	VDD=2.0V	1.132	1.323	V
Input leakage current	I_LEAK	Low level input voltage=0.0V	-1	+1	μA

### Attention:

This datasheet is downloaded from the website of Murata Manufacturing Co., Ltd. Therefore, it's specifications are subject to change or our products in it may be discontinued without advance notice. Please check with our sales representatives or product engineers before ordering.

Digital outputs

Table 4. CMOS digital output (INT, SDIN/SDA)

Parameter	Symbol	Condition	Min.	Max.	Units
High level output voltage	V <sub>OH</sub>		VDD-0.5		V
Low level output voltage	V <sub>OL</sub>			VSS+0.4	V
Output drive strength	I <sub>OH</sub>	VDD=2.0V and min V <sub>OH</sub> at pin		4	mA
Output drive strength	I <sub>OL</sub>	VDD=2.0V and max V <sub>OL</sub> at pin		4	mA
Pull-up resistor	R <sub>pup</sub>	For SDIN/SDA	(2)	(1)	
Rise time	Tr	(1)Standard-mode. For SDIN/SDA;(3)		1000	ns
		(1)Fast-mode. For SDIN/SDA;(3)	20	300	
Capacitance load	CL	(1)For SDIN/SDA, includes 10pF from the internal PAD		400	pF

Table 5. CMOS digital output tri-state(SDOUT/SA0)

Parameter	Symbol	Condition	Min.	Max.	Units
High level output voltage	V <sub>OH</sub>		VDD-0.5		V
Low level output voltage	V <sub>OL</sub>			VSS+0.4	V
Output drive strength	I <sub>OH</sub>	VDD=2.0V and min V <sub>OH</sub> at pin		4	mA
Output drive strength	I <sub>OL</sub>	VDD=2.0V and max V <sub>OL</sub> at pin		4	mA
Tri-state leakage current	I <sub>OZ</sub>	To VSS	-0.4	0.4	μA

Note:

1. The maximum value of the pull-up resistor is defined by the following equation:

$$R_{p_{max}} = \frac{MAX(Tr)}{0.8473 * CL}$$

2. The minimum value of the pull-up resistor is defined as (VDD<sub>pull-up</sub> is the voltage connected to the pull-up resistor):

$$R_{p_{min}} = \frac{VDD_{pull-up} - V_{OL}}{I_{OL}}$$

3. For a selected R<sub>p</sub>, which must to be R<sub>pmin</sub><R<sub>p</sub><R<sub>pmax</sub>, the obtained rise time is:

$$Tr = 0.8473 * CL * R_p$$

**Attention:**

This datasheet is downloaded from the website of Murata Manufacturing Co., Ltd. Therefore, it's specifications are subject to change or our products in it may be discontinued without advance notice. Please check with our sales representatives or product engineers before ordering.

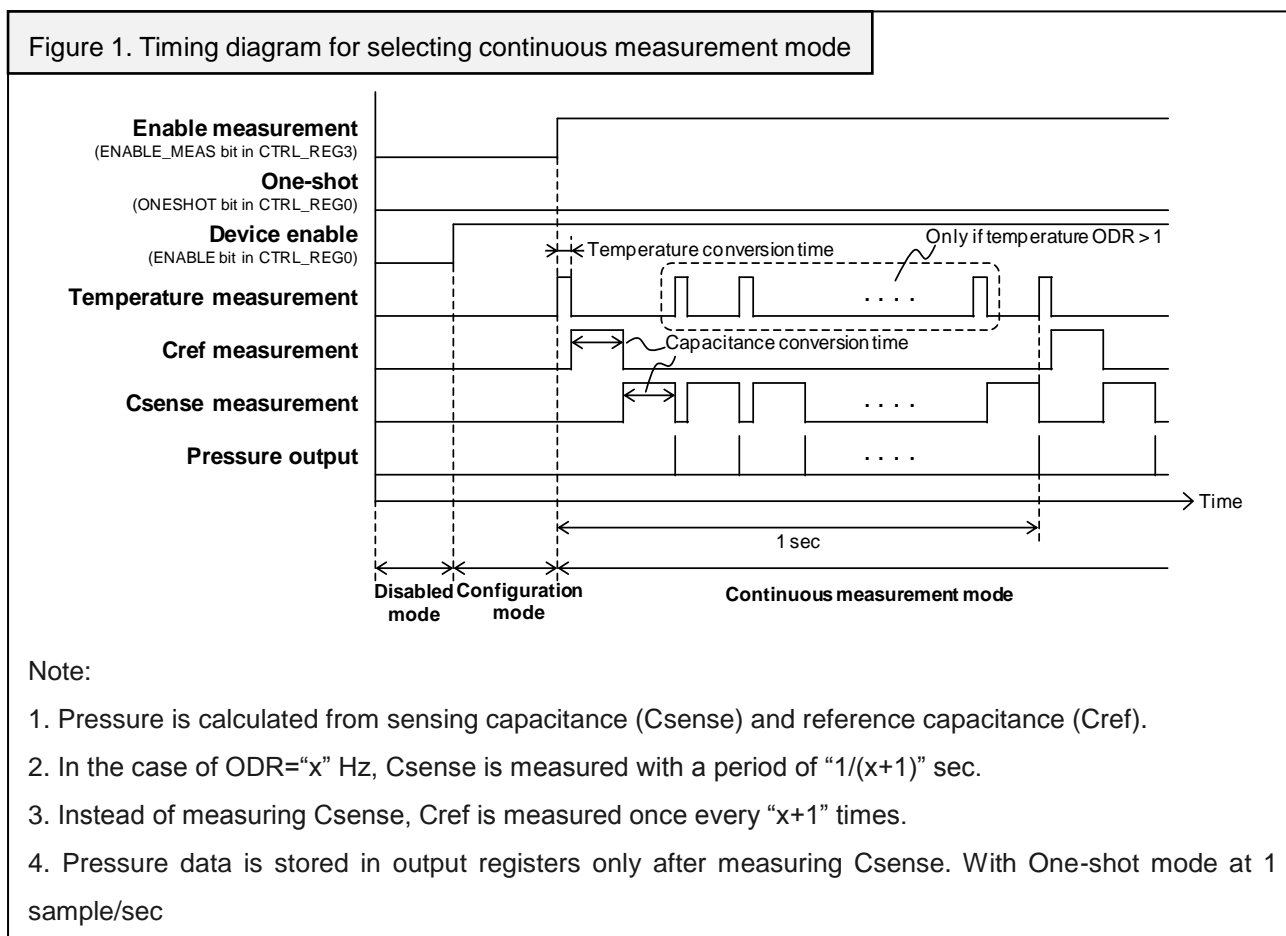
### 3. Measurement direction

#### 3.1 Technical description

Our product has the following four kinds of operating mode.

- **DISABLED MODE:** the product is completely disabled. Communication via SPI/I2C interface is allowed to enable the product or start an ONE-SHOT MODE..
- **CONFIGURATION MODE:** after enabling the product all register are accessible, and measurement configuration can be changed. Capacitance and temperature measurement s are not being run in this mode.
- **CONTINUOUS MEASUREMENT MODE:** after enabling this mode the temperature and capacitance measurement are running at their selected output data rate. Measurements are stopped by disabling this mode.
- **ONE-SHOT MODE:** this mode starts from the disabled mode, made a temperature and capacitance measurement and returns automatically to disabled mode. The measurement configuration can be change by entering into the configuration mode before starting the one-shot.

The following diagram describes our product operation when the continuous measurement is enabled after enabling the product.

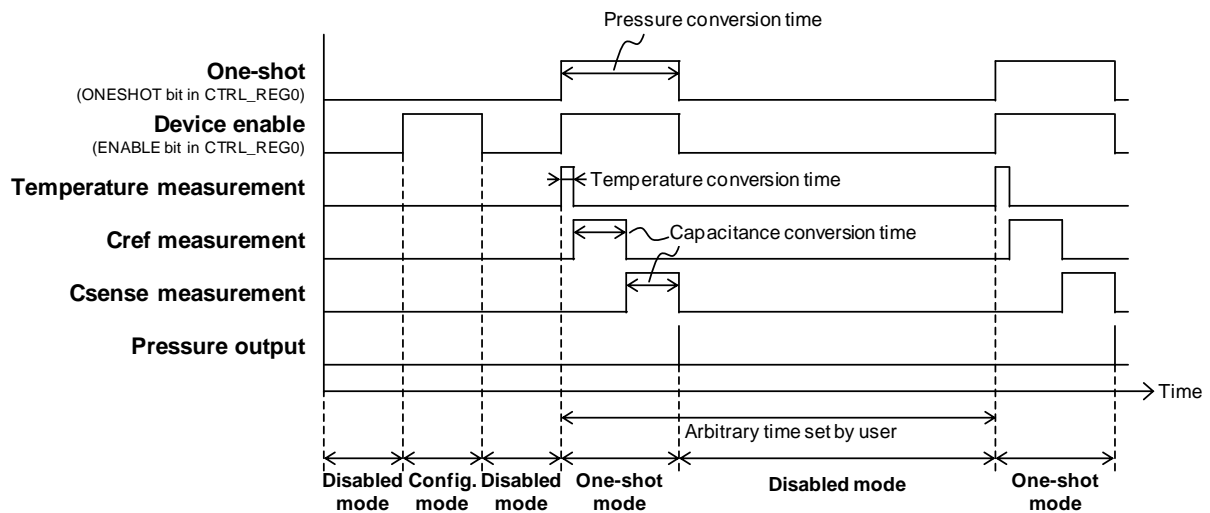


**Attention:**

This datasheet is downloaded from the website of Murata Manufacturing Co., Ltd. Therefore, it's specifications are subject to change or our products in it may be discontinued without advance notice. Please check with our sales representatives or product engineers before ordering.

Operation when one-shot operation is selected:

Figure 2. Timing diagram for selecting one-shot mode

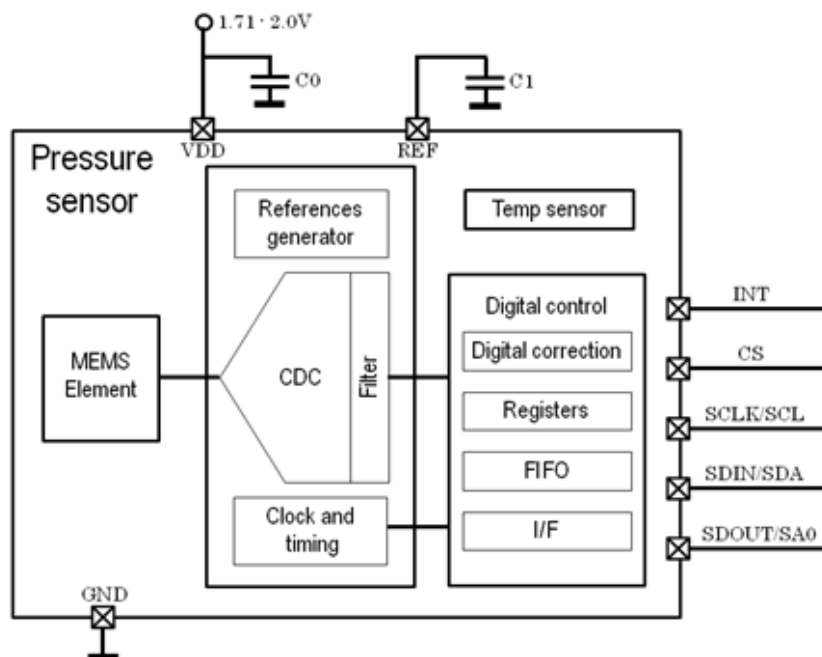


Note:

1. Pressure is calculated from Csense and Cref as with continuous measurement mode.
2. Csense and Cref are measured only one time per pressure measurement.
3. User can arbitrarily set time interval between pressure measurements.

### 3.2 Typical application circuit

Figure 3. Typical application circuit



#### Attention:

This datasheet is downloaded from the website of Murata Manufacturing Co., Ltd. Therefore, its specifications are subject to change or our products in it may be discontinued without advance notice. Please check with our sales representatives or product engineers before ordering.

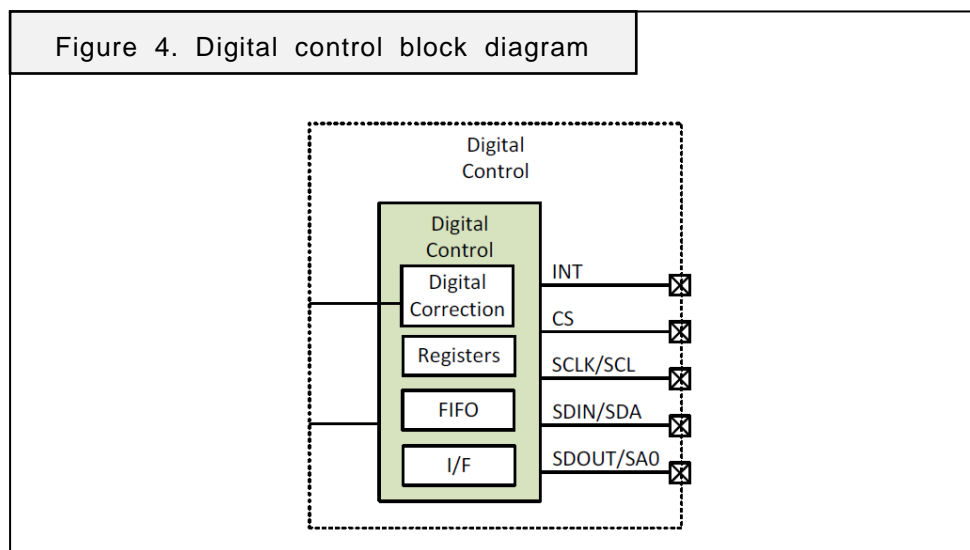
### 3.3 Connecting components information

Table 6. Connecting components list

Parameter	Symbol	Min.	Max.	Unit	Note
Supply decoupling capacitance	C0	100		nF	For noise elimination purpose to VDD. C0 should better be mounted as closely as possible to the Sensor. Recommended part number is GRM033R61A104ME84 (MURATA) or similar one.
Reference decoupling capacitance	C1	100		nF	For noise elimination purpose to REF. C1 should better be mounted as closely as possible to the Sensor. Recommended part number is GRM033R61A104ME84 (MURATA) or similar one.

### 3.4 Digital interfaces

The following figure shows the block diagram of the digital logic, which includes the digital correction, the register map, FIFO and digital interface.



The registers embedded in our product may be accessed through both I2C and SPI serial interfaces. The serial interfaces are mapped onto the same pads. To select the I2C interface, CS line must be tied high (i.e. connected to DVDD). In I2C mode, the SDOUT pin is reconfigured as the LSB of the device address word.

**Attention:**

This datasheet is downloaded from the website of Murata Manufacturing Co., Ltd. Therefore, its specifications are subject to change or our products in it may be discontinued without advance notice. Please check with our sales representatives or product engineers before ordering.



### 3.5 I2C interface

Our product I2C is a bus slave. The I2C is employed to write data into registers whose content can also be read back. There are two signals associated with the I2C bus: the serial clock line (SCL) and the serial data line (SDA). The latter is a bi-directional line used for sending and receiving the data to/from the interface. Both lines have to be connected to VDD through external pull-up resistors. The I2C interface is compliant with fast mode (400 kHz) I2C standards. The following table shows the pins description for I2C interface:

Table 7. Pins description for I2C interface

Pin name	Note
CS	Set to '1'
SCLK / SCL	I2C serial clock (SCL)
SDIN / SDA	I2C serial data
SDOUT / SA0	I2C less significant bit of the device address (SA0)

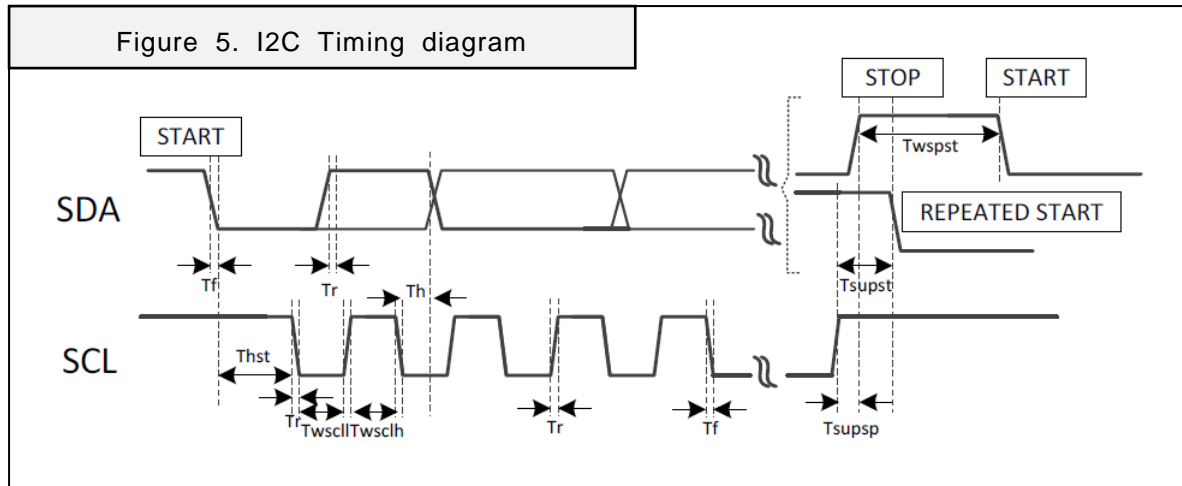
I2C slave timing values are described in the following table (the measurement points are done at 0.2·VDD and 0.8·VDD):

Table 8. I2C slave timing values

Parameter	Symbol	Units	Standard Mode		Fast Mode	
			Min.	Max.	Min.	Max.
SCL frequency	Fscl	kHz		100		400
SCL low time	Twscll	μs	4.7		1.3	
SCL high time	Twsclh		4.0		0.6	
SDA setup	Tsup	ns	250		100	
SDA hold time	Th	μs	0.01	3.45	0	0.9
SCL and SDA rise time	Tr	ns		1000		300
SCL and SDA fall time	Tr			300		300
Start condition hold time	Thst	μs	4		0.6	
Repeated start condition setup time	Tsupst		4.7		0.6	
Stop condition setup time	Tsupsp		4		0.6	
Bus free time between start-stop	Twspst		4.7		1.3	

#### Attention:

This datasheet is downloaded from the website of Murata Manufacturing Co., Ltd. Therefore, it's specifications are subject to change or our products in it may be discontinued without advance notice. Please check with our sales representatives or product engineers before ordering.



### 3.6 I2C operation

The transaction on the bus is started through a START (ST) signal. A start condition is defined as a HIGH to LOW transition on the data line while the SCL line is held HIGH. After this has been transmitted by the master, the bus is considered busy.

The next byte of data transmitted after the start condition contains the address of the slave in the first 7 MSBs and the eighth bit (LSB) tells whether the master is receiving data from the slave or transmitting data to the slave.

When an address is sent, each device in the system compares the first seven bits after a start condition with its address. If they match, the device considers itself addressed by the master. The slave address (SAD) associated to The device is 101110xb. The SDO/SA0 pad can be used to modify the less significant bit of the device address. If the SA0 pad is connected to voltage supply, LSB is '1' (address 1011101b), otherwise if the SA0 pad is connected to ground, the LSB value is '0' (address 1011100b). This solution permits to connect and address two different product to the same I2C lines.

Data transfer with acknowledge is mandatory. The transmitter must release the SDA line during the acknowledge pulse. The receiver must then pull the data line LOW so that it remains stable low during the HIGH period of the acknowledge clock pulse. A receiver which has been addressed is obliged to generate an acknowledge after each byte of data received.

The I2C embedded in The device behaves like a slave device and the following protocol must be adhered to. After the start condition (ST) a slave address is sent, once a slave acknowledge (SAK) has been returned, a 8-bit sub-address (SUB) will be transmitted: the 7 LSB represents the actual register address while the MSB enables address auto increment. If the MSB of the SUB field is '1', the SUB (register address) will be automatically increased to allow multiple data read/write.

#### Attention:

This datasheet is downloaded from the website of Murata Manufacturing Co., Ltd. Therefore, it's specifications are subject to change or our products in it may be discontinued without advance notice. Please check with our sales representatives or product engineers before ordering.

The slave address is completed with a Read/Write bit. If the bit was '1' (Read), a repeated START (SR) condition must be issued after the two sub-address bytes; if the bit is '0' (Write) the master will transmit to the slave with direction unchanged. The following table explains how the SAD+read/write bit pattern is composed, listing all the possible configurations.

SAD+Read/Write patterns

Command	SAD[6:1]	SAD[0] = SA0	R/W	SAD+R/W
Read	101110	0	1	1011 1001 (B9h)
Write	101110	0	0	1011 1000 (B8h)
Read	101110	1	1	1011 1011 (BBh)
Write	101110	1	0	1011 1010 (BAh)

Transfer when master is writing one byte to slave

<b>Master</b>	ST	SAD+W		SUB		DATA		SP
<b>Slave</b>			SAK		SAK		SAK	

Transfer when master is writing multiple bytes to slave

<b>Master</b>	ST	SAD+W		SUB		DATA		DATA		SP
<b>Slave</b>			SAK		SAK		SAK		SAK	

Transfer when master is receiving (reading) one byte of data from slave

<b>Master</b>	ST	SAD+W		SUB		SR	SAD+R			NMAK	SP
<b>Slave</b>			SAK		SAK			SAK	DATA		

Transfer when master is receiving (reading) multiple bytes of data from slave

<b>Master</b>	ST	SAD+W		SUB		SR	SAD+R			MAK		NMAK	SP
<b>Slave</b>			SAK		SAK			SAK	DATA		DATA		

**Attention:**

This datasheet is downloaded from the website of Murata Manufacturing Co., Ltd. Therefore, it's specifications are subject to change or our products in it may be discontinued without advance notice. Please check with our sales representatives or product engineers before ordering.

Data are transmitted in byte format (DATA). Each data transfer contains 8 bits. The number of bytes transferred per transfer is unlimited. Data is transferred with the most significant bit (MSB) first. If a receiver can't receive another complete byte data until it has performed some other functions, it can hold the clock line, SCL LOW to force the transmitter into a wait state. Data transfer only continues when the receiver is ready for another byte and releases the data line. If a slave receiver does not acknowledge the slave address (i.e. it is not able to receive because it is performing some real time function) the data line must be kept HIGH by the slave. The master can then abort the transfer. A LOW to HIGH transition on the SDA line while the SCL line is HIGH is defined as a STOP condition. Each data transfer must be terminated by the generation of a STOP (SP) condition.

In order to read multiple bytes incrementing the register address, it is necessary to assert the most significant bit of the subaddress field. In other words, SUB(7) must be equal to 1 while SUB(6-0) represents the address of the first register to be read. In the presented communication format MAK is Master acknowledge and NMAK is no master acknowledge.

### 3.7 SPI interface

The following table shows the pins description for 4-wires SPI interface:

Table 9. Pins description for 4-wires SPI interface

Pin name	Note
CS	0: SPI enabled
SCLK / SCL	SPI serial port clock (SCLK)
SDIN / SDA	SPI serial data input
SDOUT / SA0	SPI serial data output

---

**Attention:**

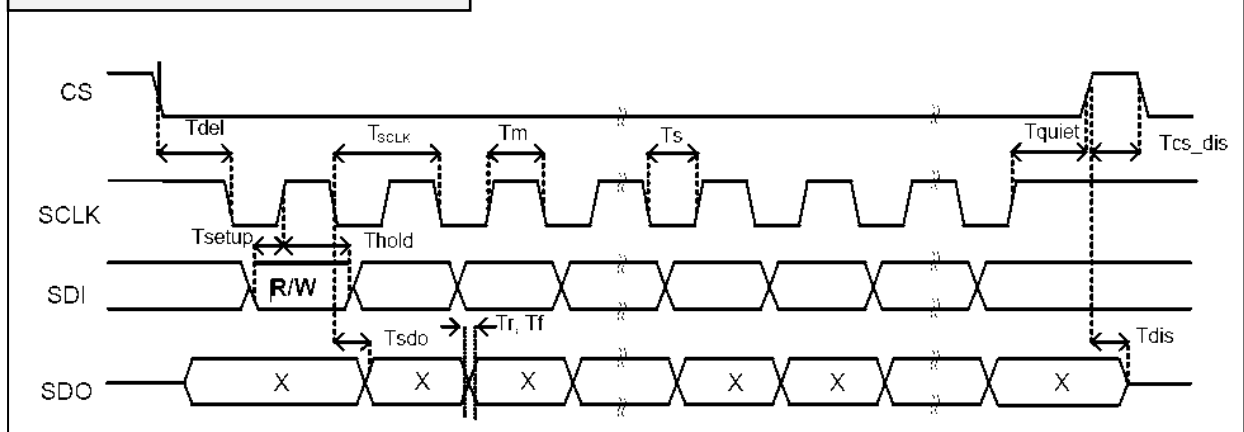
This datasheet is downloaded from the website of Murata Manufacturing Co., Ltd. Therefore, it's specifications are subject to change or our products in it may be discontinued without advance notice. Please check with our sales representatives or product engineers before ordering.

SPI slave timing values are described in the following table (the measurement points are done at 0.2·VDD and 0.8·VDD):

Table 10.SPI slave timing values

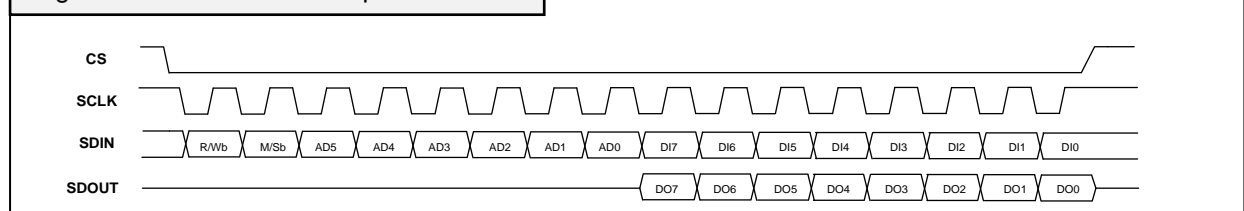
Parameter	Symbol	Units	Min.	Max.	
SPI clock frequency	Fsclk	MHz		1	
1/(SPI clock frequency)	Tsclk	ns	1000		
CS falling edge to SCLK falling edge	Tdel		25		
SCLK rising edge to CS rising edge	Tquiet		25		
CS rising edge to SDO disabled	Tdis			25	
CS deassertion between SPI communications	Tcs_dis		1000		
SCLK low pulse width	Ts		0.3* Tsclk		
SCLK high pulse width	Tm		0.3* Tsclk		
SDI valid before SCLK rising edge	Tsetup		25		
SDI valid after SCLK rising edge	Thold		50		
SCLK falling edge to SDO output transition	Tsdo			50	
SDO output low to output high transition	Tr			25	
SDO output high to output low transition	Tf			25	

Figure 6. SPI Timing diagram



The device SPI is a bus slave. The SPI allows to write and read the registers of the device. The serial interface interacts with the outside world with 4 wires: CS, SCLK, SDIN and SDOUT.

Figure 7 .Read and write protocol



**Attention:**

This datasheet is downloaded from the website of Murata Manufacturing Co., Ltd. Therefore, it's specifications are subject to change or our products in it may be discontinued without advance notice. Please check with our sales representatives or product engineers before ordering.

**CS** is the serial port enable and it is controlled by the SPI master. It goes low at the start of the transmission and returns to high at the end. **SCLK** is the serial port clock and it is controlled by the SPI master. It is stopped high when **CS** is high (no transmission). **SDIN** and **SDOUT** are respectively the serial port data input and output. Those lines are driven at the falling edge of **SCLK** and should be captured at the rising edge of **SCLK**.

Both the read register and write register commands are completed in 16 clock pulses or in multiples of 8 in the case of multiple bytes read/write. Bit duration is the time between two falling edges of **SCLK**. The first bit (bit 0) starts at the first falling edge of **SCLK** after the falling edge of **CS** while the last bit (bit 15, bit 23, ...) starts at the last falling edge of **SCLK** just before the rising edge of **CS**.

**bit 0:** RW bit. When 0, the data DI(7:0) is written into the device. When 1, the data DO(7:0) from the device is read. In the latter case, the chip will drive **SDOUT** at the start of bit 8.

**bit 1:** MS bit. When 0, the address will remain unchanged in multiple read/write commands.

When 1, the address will be auto incremented in multiple read/write commands.

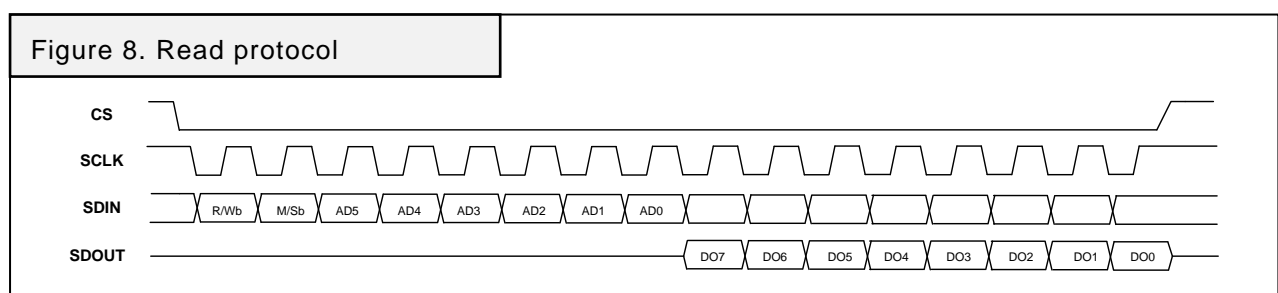
**bit 2-7:** address AD(5:0). This is the address field of the indexed register.

**bit 8-15:** data DI(7:0) (write mode). This is the data that is written into the device (MSb first).

**bit 8-15:** data DO(7:0) (read mode). This is the data that is read from the device (MSb first).

In multiple read/write commands further blocks of 8 clock periods are added. When the MS bit is 0 the address used to read/write data remains the same for every block. When MS bit is 1 the address used to read/write data is increased at every block. The function and the behavior of **SDIN** and **SDOUT** remain unchanged.

### 3.8 SPI read



#### Attention:

This datasheet is downloaded from the website of Murata Manufacturing Co., Ltd. Therefore, its specifications are subject to change or our products in it may be discontinued without advance notice. Please check with our sales representatives or product engineers before ordering.

The SPI Read command is performed with 16 clock pulses. The multiple byte read command is performed adding blocks of 8 clock pulses at the previous one.

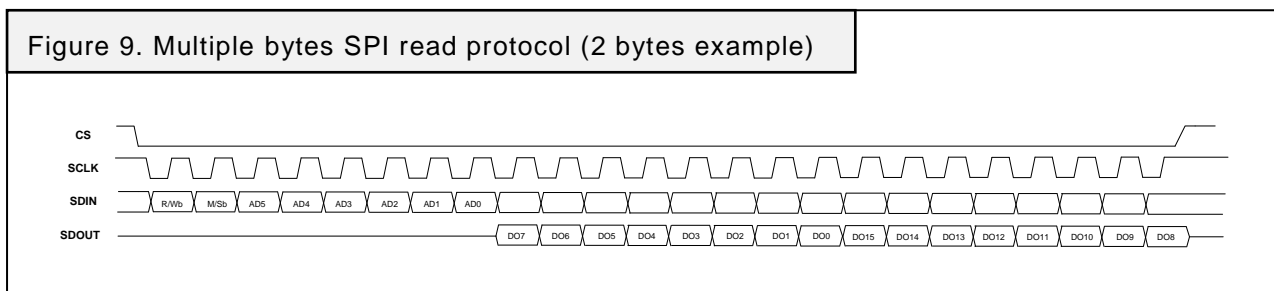
**bit 0:** READ bit. The value is 1.

**bit 1:** MS bit. When 0 do not increment address, when 1 increment address in multiple readings.

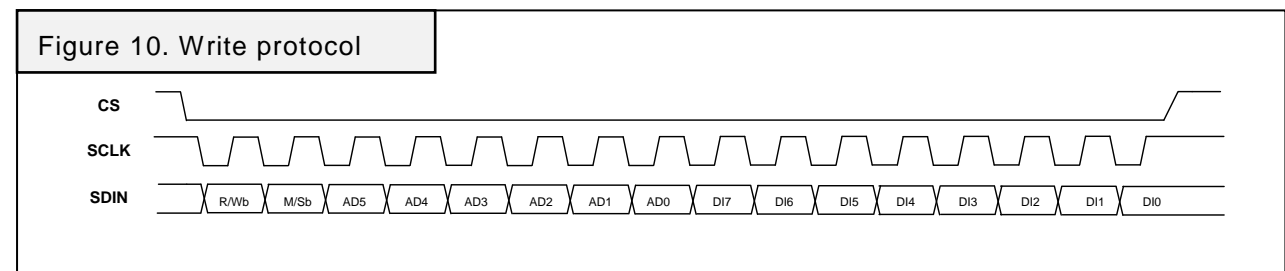
**bit 2-7:** address AD(5:0). This is the address field of the indexed register.

**bit 8-15:** data DO(7:0) (read mode). This is the data that is read from the device (MSb first).

**bit 16-... :** data DO(...-8). Further data in multiple byte readings.



### 3.9 SPI write



The SPI Write command is performed with 16 clock pulses. The multiple byte write command is performed adding blocks of 8 clock pulses at the previous one.

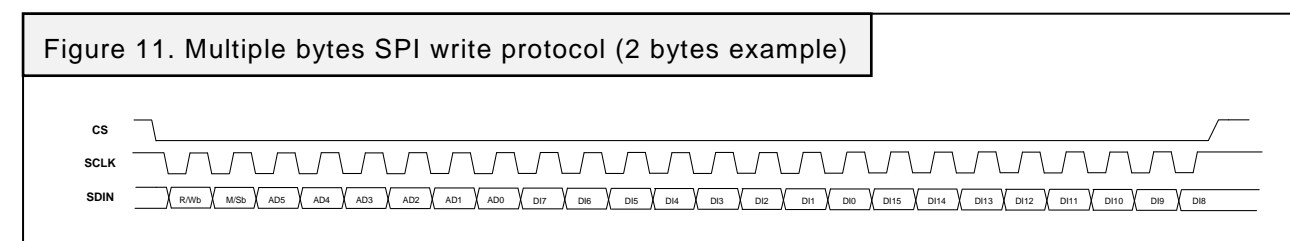
**bit 0:** WRITE bit. The value is 0.

**bit 1:** MS bit. When 0 do not increment the address, when 1 increment the address in multiple writings.

**bit 2 -7:** address AD(5:0). This is the address field of the indexed register.

**bit 8-15:** data DI(7:0) (write mode). This is the data that is written in the device (MSb first).

**bit 16-... :** data DI(...-8). Further data in multiple byte writings.



#### Attention:

This datasheet is downloaded from the website of Murata Manufacturing Co., Ltd. Therefore, it's specifications are subject to change or our products in it may be discontinued without advance notice. Please check with our sales representatives or product engineers before ordering.

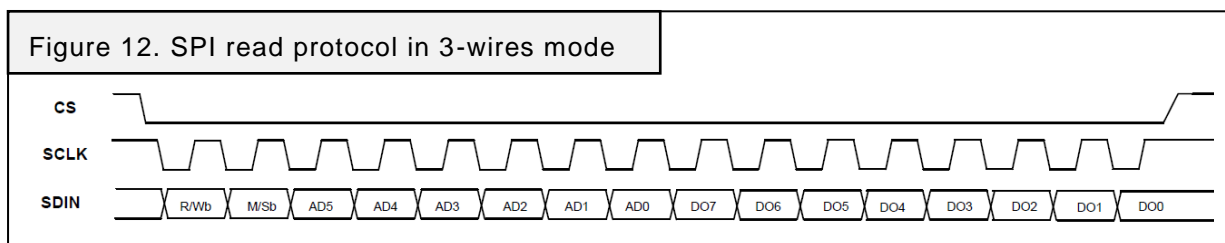
### 3.10 SPI read in 3-wires mode

The following table shows the pins description for 3-wires SPI interface:

Table 11. Pins description for 3-wires SPI interface

Pin name	Note
CS	0: SPI enabled
SCLK / SCL	SPI serial port clock (SCLK)
SDIN / SDA	SPI serial data input / output. Pull-up resistor needed

A 3-wires mode is entered by setting to '1' bit SIM (SPI serial interface mode selection) in CTRL\_REG3. The SDIN/SDA pin needs to be connected to an external pull-up resistor, as described in 3.3.2.



The SPI read command is performed with 16 clock pulses:

**bit 0:** READ bit. The value is 1.

**bit 1:** MS bit. When 0, do not increment the address, when 1, increment the address in multiple readings.

**bit 2-7:** address AD(5:0). This is the address field of the indexed register.

**bit 8-15:** data DO(7:0) (read mode). This is the data that is read from the device (MSB first).

Multiple read command is also available in 3-wires mode.

#### Attention:

This datasheet is downloaded from the website of Murata Manufacturing Co., Ltd. Therefore, it's specifications are subject to change or our products in it may be discontinued without advance notice. Please check with our sales representatives or product engineers before ordering.



### 3.11 FIFO operation

The product contains a FIFO with 16 positions to store values of the pressure.

The FIFO operation is controlled by the STATUS\_REG. When the FIFO is empty, the bit FIFO\_EMPTY is set (high). When the FIFO is full, the bit FIFO\_FULL is set (high). If a new pressure value arrives once the FIFO is FULL, P\_OD overrun bit is set high.

The interrupts can be configured so that they activate when the FIFO is FULL or EMPTY.

When the FIFO is not empty, and a value is read from all data registers (PRESS\_OUT\_XL, PRESS\_OUT\_L and PRESS\_OUT\_H registers), this value is automatically deleted from the FIFO.

When the FIFO is full and a new pressure value needs to be written, the oldest value in the FIFO will be deleted to allow for the newest value to be written.

### 3.12 Interrupt operation

The interrupts can be enabled and disabled via a CTRL\_REG1 register. (see CTRL\_REG1 register information in page 22)

. Once an interrupt happens, the interrupt source can be read in INTERRUPT\_SOURCE. Reading the INTERRUPT\_SOURCE register will automatically delete it and will reset the pin values to the disabled state.

---

**Attention:**

This datasheet is downloaded from the website of Murata Manufacturing Co., Ltd.  
Therefore, it's specifications are subject to change or our products in it may be discontinued without advance notice.  
Please check with our sales representatives or product engineers before ordering.

### 3.13 Heading2

The device contains a set of registers which are used to control its behavior and to retrieve pressure and temperature data. The register address, made up of 7 bits, is used to identify them and to read/write the data through the serial interface.

Table 12. Register address map

Name	Type	Register address (HEX)	Register address (Binary)	Default	Function and comment
Reserved (do not modify)		00-07 0B-0E			Reserved
REF_P_XL	R/W	08	000 1000	0000 0000	
REF_P_L	R/W	09	000 1001	0000 0000	
REF_P_H	R/W	0A	000 1010	0000 0000	
DEVICE_ID	R	0F	000 1111	1011 10'SA0'1	Reserved
RES_CONF	R/W	10	001 0000	0000 0000	
Reserved (do not modify)		11-1F			Reserved
CTRL_REG0	R/W	20	010 0000	0000 0000	
CTRL_REG1	R/W	21	010 0001	0011 1111	
CTRL_REG2	R/W	22	010 0010	0000 0000	
CTRL_REG3	R/W	23	010 0011	0011 0000	Reserved
INT_SOURCE_REG	R	24	010 0100	0000 0000	Interrupt status
THS_P_LOW_REG	R/W	25	010 0101	0000 0000	Thresholds interrupt
THS_P_HIGH_REG	R/W	26	010 0110	1111 1111	Thresholds interrupt
STATUS_REG	R	27	010 0111	0000 0000	
PRESS_OUT_XL	R	28	010 1000	Output	Pressure value XL
PRESS_OUT_L	R	29	010 1001	Output	Pressure value L
PRESS_OUT_H	R	2A	010 1010	Output	Pressure value H
TEMP_OUT_L	R	2B	010 1011	Output	Temperature value L
TEMP_OUT_H	R	2C	010 1100	Output	Temperature value H
Reserved (Do not modify)		2D-4B			Reserved

**Attention:**

This datasheet is downloaded from the website of Murata Manufacturing Co., Ltd. Therefore, its specifications are subject to change or our products in it may be discontinued without advance notice. Please check with our sales representatives or product engineers before ordering.

Registers marked as “Reserved” must not be changed. The writing to those registers may cause permanent damages to the device. The content of the registers that are loaded at boot should not be changed. They contain the factory calibration values. Their content is automatically restored when the device is powered-up.

### 3.14 Register description

#### REF\_P\_XL

7	6	5	4	3	2	1	0
REFL7	REFL6	REFL5	REFL4	REFL3	REFL2	REFL1	REFL0

This reference pressure register contains the lower part of the reference pressure that is subtracted to the sensor output pressure. The full value is REF\_P\_XL & REF\_P\_H & REF\_P\_L and is represented as 2's complement.

#### REF\_P\_L

7	6	5	4	3	2	1	0
REFL15	REFL14	REFL13	REFL12	REFL11	REFL10	REFL9	REFL8

This reference pressure register contains the middle part of the reference pressure that is subtracted to the sensor output pressure. The full value is REF\_P\_XL & REF\_P\_H & REF\_P\_L and is represented as 2's complement.

#### REF\_P\_H

This reference pressure register contains the higher part of the reference pressure that is subtracted to the sensor output pressure. The full value is REF\_P\_XL & REF\_P\_H & REF\_P\_L and is represented as 2's complement.

7	6	5	4	3	2	1	0
REFL23	REFL22	REFL21	REFL20	REFL19	REFL18	REFL17	REFL16

#### RES\_CONF

This register configures the resolution of the pressure and temperature measurements.

7	6	5	4	3	2	1	0
	AVGT2	AVGT1	AVGT0	AVGP3	AVGP2	AVGP1	AVGP0

AVGP3-AVGP0 configure the number of averages of the pressure measurements. AVGT2-AVGT0 configure the number of averages of the temperature measurements. The pressure or temperature measurement final data rate is the selected ODR2-0 (CTRL\_REG3) divided by the selected number of averages (AVGP3-AVGP0). The default setting of this register is 0 after powering up the device. The current consumption does not change by changing the number of internal averages.

#### Attention:

This datasheet is downloaded from the website of Murata Manufacturing Co., Ltd. Therefore, it's specifications are subject to change or our products in it may be discontinued without advance notice. Please check with our sales representatives or product engineers before ordering.

Bits can be configured as described in the following tables.

Table 13. Internal averages of pressure measurements

AVGP3	AVGP2	AVGP1	AVGP0	Nr. Internal averages
0	0	0	0	1
0	0	0	1	2
0	0	1	0	4
0	0	1	1	8
0	1	0	0	16
0	1	0	1	32

AVGT2-AVGT0 bits can be configured as described in the following table.

Table 14. Internal averages of temperature measurements

AVGT2	AVGT1	AVGT0	Nr. Internal averages
0	0	0	1
0	0	1	2
0	1	0	4
0	1	1	8
1	0	0	16

#### DEVICE\_ID

This register contains the device identifier number. For our product the device number is set to 0xBB.

7	6	5	4	3	2	1	0
1	0	1	1	1	0	SA0	1

#### CTRL\_REG0

This register controls the functionality of several blocks.

7	6	5	4	3	2	1	0
						ENABLE	ONE-SHOT

#### Attention:

This datasheet is downloaded from the website of Murata Manufacturing Co., Ltd. Therefore, it's specifications are subject to change or our products in it may be discontinued without advance notice. Please check with our sales representatives or product engineers before ordering.

**Bit 1:** ENABLE is the chip enable of the device. When the device is enabled, we can read and write the complete register map via the SPI/I2C. The device should also be enabled for normal operating mode. The device will be disabled when ENABLE = '0' (default value after boot) and enabled when ENABLE is set to '1'. Between enabling the device and the next SPI/I2C access there should be a time of T<sub>pup</sub>.

**Bit 0:** ONE\_SHOT bit is used to start a new conversion. In this situation a single acquisition of temperature and pressure is started when ONE\_SHOT bit is set to '1'. At the end of conversion the new data are available in the output registers, the ONE\_SHOT bit is automatically reset to '0'.

The precision of the ONE-SHOT pressure measurement can be configured with the ODR2-0 bits in CTRL\_REG3 which are used to set the CDC oversampling ratio and therefore the pressure measurement conversion time. The ODR2-0 bits selects the number of clock cycles required to produce a conversion result. The device is automatically powered-down after the conversion ends. The averaged current consumption depends on the length of the conversion. The temperature is measured only one time per pressure measurement. Internal averaging is not applicable in one-shot mode.

Table 15. Pressure measurement conversion time

ODR2	ODR1	ODR0	Pressure Conversion time(s)
0	0	0	Reserved
0	0	1	1
0	1	0	1/3
0	1	1	1/6
1	0	0	1/12
1	0	1	1/3
1	1	0	1/6
1	1	1	1/12

The pressure or temperature measurement final data rate is the selected ODR2-0 (CTRL\_REG3) divided by the selected number of averages (AVGP3-AVGP0).

**Attention:**

This datasheet is downloaded from the website of Murata Manufacturing Co., Ltd. Therefore, it's specifications are subject to change or our products in it may be discontinued without advance notice. Please check with our sales representatives or product engineers before ordering.

### CTRL\_REG1

This register controls the functionality of several blocks.

7	6	5	4	3	2	1	0
		Mask_shortcut	Mask_fifo_e	Mask_fifo_f	Mask_data_ready	Mask_dpl_event	Mask_dph_event

**Bit 5:** when set to '1' masks the shortcut event to produce an interrupt. Default value is '1'.

**Bit 4:** when set to '1' masks the FIFO empty event to produce an interrupt. Default value is '1'.

**Bit 3:** when set to '1' masks the FIFO full event to produce an interrupt. Default value is '1'.

**Bit 2:** when set to '1' masks the DATA READY event to produce an interrupt. Default value is '1'.

**Bit 1:** when set to '1' masks the pressure low event to produce an interrupt. Default value is '1'.

**Bit 0:** when set to '1' masks the pressure high event to produce an interrupt. Default value is '1'.

The device features one fully-programmable interrupt sources (INT) which may be configured to trigger different pressure events.

### CTRL\_REG2

This register controls the functionality of several blocks.

7	6	5	4	3	2	1	0
Tri-state	INT_H_L	PP_OD			SWRESET	AUTOZERO	

**Bit 7:** when set to '1', the interrupt (INT) pin is set in high impedance mode. Default value is '0'

**Bit 6:** INT\_H\_L: Interrupt active high, low. Default value: 0. (0: active high; 1: active low)

**Bit 5:** PP\_OD: Push-pull/open drain selection on interrupt pads. Default value: 0. (0: push-pull; 1: open drain)

**Bit 2:** SWRESET is the software reset bit. The device is reset to the power on configuration if the SWRESET bit is set to '1'.

**Bit 1:** AUTO\_ZERO, when set to '1', the latest pressure written in the the PRESS\_OUT\_H & PRESS\_OUT\_L & PRESS\_OUT\_XL register is copied in the REF\_P\_H & REF\_P\_L & REF\_P\_XL and kept as reference. In the next pressure measurement PRESS\_OUT\_H & PRESS\_OUT\_L & PRESS\_OUT\_XL is the difference between this reference and the pressure sensor value. At the end of the autozeroing process, the AUTO\_ZERO bit comes back to '0'.

The reference pressure can be modified by the user by writing in the registers REF\_P\_H & REF\_P\_L & REF\_P\_XL.

### CTRL\_REG3

This register controls the functionality of several blocks.

7	6	5	4	3	2	1	0
ENABLE_MEAS	ODR2	ODR1	ODR0				SIM

**Bit 7:** ENABLE\_MEAS, when set to '1' activates the pressure and temperature measurements. The device should be enabled (via ENABLE in CTRL\_REG0) for measurements to start.

**Bit 6 to Bit 4:** ODR2- ODR1 - ODR0 bits allow to change the output data rates of pressure and temperature samples. ODR2, ODR1 and ODR0 bits can be configured as described in the following table.

#### Attention:

This datasheet is downloaded from the website of Murata Manufacturing Co., Ltd. Therefore, it's specifications are subject to change or our products in it may be discontinued without advance notice. Please check with our sales representatives or product engineers before ordering.

Table 16. Temperature measurement conversion time

ODR2	ODR1	ODR0	Pressure data rate	Temperature output data rate
0	0	0	Reserved	Reserved
0	0	1	1 S/s	1 S/s
0	1	0	5 S/s	1 S/s
0	1	1	11 S/s	1 S/s
1	0	0	23 S/s	1 S/s
1	0	1	5 S/s	5 S/s
1	1	0	11 S/s	11 S/s
1	1	1	23 S/s	23 S/s

**Bit 0:** SIM bit selects the SPI serial interface mode. When SIM is '0' (default value) the 4-wire interface mode is selected and data coming from the device are sent to pin #7 SDOOUT. In 3-wire interface mode, output data are sent to pin SDIN/SDOOUT.

#### INT\_SOURCE

This register informs on the status of the interrupts.

7	6	5	4	3	2	1	0
IA		SHORTCUT	FIFOE	FIFO	DATA_READ Y	PL	PH

INT\_SOURCE register is cleared by reading INT\_SOURCE register. The INT1(2) pins are also cleared.

**Bit 7:** IA: Interrupt Active.(0: no interrupt has been generated; 1: one or more interrupt events have been generated).

**Bit 5:** SHORTCUT: when set to 1 indicates if a shortcut between the sensor terminals has occurred during the last measurement.

**Bit 4:** FIFOE: FIFO empty interrupt bit. (0: FIFO is not empty; 1: FIFO is empty).

**Bit 3:** FIFO: FIFO full interrupt bit. (0: FIFO is not full; 1: FIFO is full).

**Bit 2:** DATA\_READY event: one pressure measurement is completed and available in the FIFO.

**Bit 1:** PL: Differential pressure Low. (0: no interrupt has been generated; 1: Low differential pressure event has occurred, the digital word of the bits [23:16] of the pressure measurement are smaller than the bits of the THS\_P\_L register.)

**Bit 0:** PH: Differential pressure High. (0: no interrupt has been generated; 1: High differential pressure event has occurred the digital word of bits [23:16] of the pressure measurement are bigger than the bits of the THS\_P\_H register.)

#### Attention:

This datasheet is downloaded from the website of Murata Manufacturing Co., Ltd. Therefore, it's specifications are subject to change or our products in it may be discontinued without advance notice. Please check with our sales representatives or product engineers before ordering.

### THS\_P\_L

This register is the pressure threshold for the interrupt alerts. It corresponds to the 8 MSB's of the pressure measurements. The register format is 2's complement allowing negative pressure thresholds.

7	6	5	4	3	2	1	0
THS_P_L[7]	THS_P_L[6]	THS_P_L[5]	THS_P_L[4]	THS_P_L[3]	THS_P_L[2]	THS_P_L[1]	THS_P_L[0]

This register contains the low threshold to compare with the 8 MSB of the pressure register. The default value of this register is 0x00.

### THS\_P\_H

This register is the pressure threshold for the interrupt alerts. It corresponds to the 8 MSB's of the pressure measurements. The register format is 2's complement allowing negative pressure thresholds.

7	6	5	4	3	2	1	0
THS_P_H[7]	THS_P_H[6]	THS_P_H[5]	THS_P_H[4]	THS_P_H[3]	THS_P_H[2]	THS_P_H[1]	THS_P_H[0]

This register contains the high threshold to compare with the 8 MSB of the pressure register. The default value of this register is 0xFF.

### STATUS\_REG

This register provides information on the data availability and the FIFO status.

7	6	5	4	3	2	1	0
0	0	P_OR	T_OR	FIFO_F	FIFO_E	P_DA	T_DA

The content of this register is updated every ODR cycle, regardless of BDU value in CTRL\_REG1.

P\_DA is set to 1 whenever a new pressure sample is available. P\_DA is cleared anytime PRESS\_OUT\_H register is read.

T\_DA is set to 1 whenever a new temperature sample is available. T\_DA is cleared anytime TEMP\_OUT\_H register is read.

FIFO\_FULL is set to 1 whenever the FIFO is full.

FIFO\_EMPTY is set to 1 whenever the FIFO is empty.

P\_OR bit is set to '1' whenever new pressure data is available and FIFO FULL was set in the previous ODR cycle and not cleared. P\_OR is cleared anytime PRESS\_OUT\_H register is read.

T\_OR is set to '1' whenever new temperature data is available and T\_DA was set in the previous ODR cycle and not cleared. T\_OR is cleared anytime TEMP\_OUT\_H register is read.

#### Attention:

This datasheet is downloaded from the website of Murata Manufacturing Co., Ltd. Therefore, its specifications are subject to change or our products in it may be discontinued without advance notice. Please check with our sales representatives or product engineers before ordering.



### PRESS\_OUT\_XL

This register provides information on the pressure measurements. This is the top position of the FIFO.

7	6	5	4	3	2	1	0
POUT7	POUT6	POUT5	POUT4	POUT3	POUT2	POUT1	POUT0

### PRESS\_OUT\_L

This register provides information on the pressure measurements. This is the top position of the FIFO.

7	6	5	4	3	2	1	0
POUT15	POUT14	POUT13	POUT12	POUT11	POUT10	POUT9	POUT8

### PRESS\_OUT\_H

This register provides information on the pressure measurements. This is the top position of the FIFO.

7	6	5	4	3	2	1	0
POUT23	POUT22	POUT21	POUT20	POUT19	POUT18	POUT17	POUT16

The 24 bits from the registers PRESS\_OUT\_H, PRESS\_OUT\_L and PRESS\_OUT\_XL provides the value of the pressure(in 2's complement format). The 18 MSBs correspond directly to a value in Pa. In other words the output value has an LSB of 1/64 Pa.

### TEMP\_OUT\_L

This register provides information on the temperature measurements.

7	6	5	4	3	2	1	0
TOUT7	TOUT6	TOUT5	TOUT4	TOUT3	TOUT2	TOUT1	TOUT0

### TEMP\_OUT\_H

This register provides information on the temperature measurements.

7	6	5	4	3	2	1	0
TOUT15	TOUT14	TOUT13	TOUT12	TOUT11	TOUT10	TOUT9	TOUT8

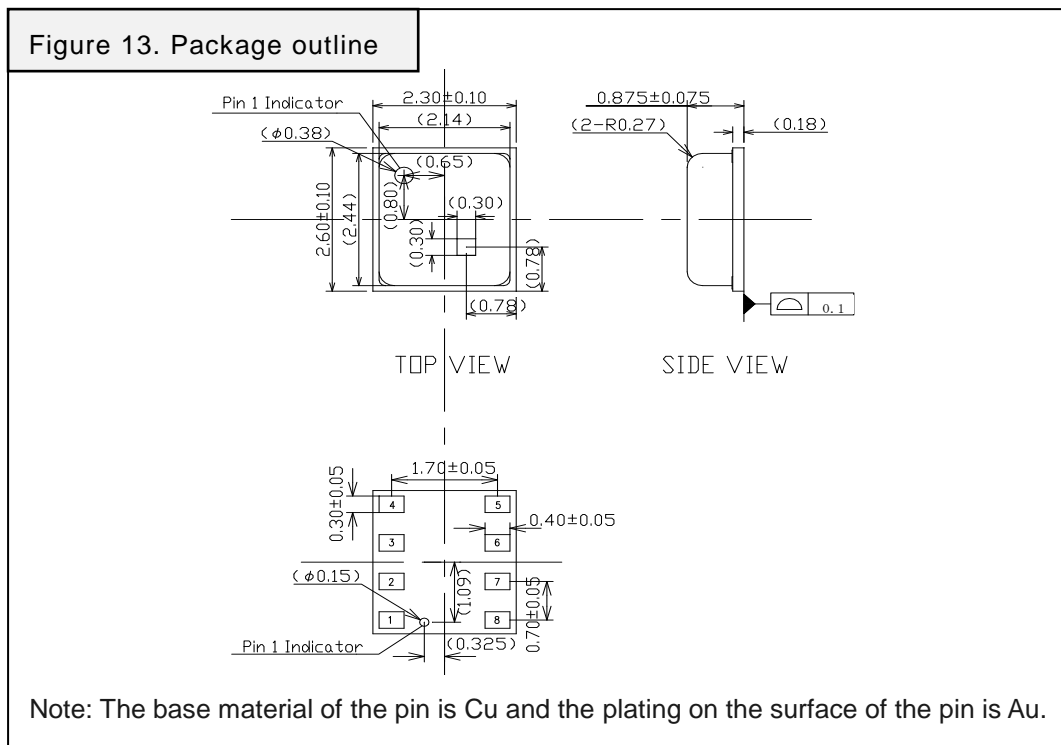
The 16 bits from the registers TEMP\_OUT\_H and TEMP\_OUT\_L provide the digital code of the temperature in unsigned format. Temperature information can be obtained by conversion formula in P7.

#### Attention:

This datasheet is downloaded from the website of Murata Manufacturing Co., Ltd. Therefore, it's specifications are subject to change or our products in it may be discontinued without advance notice. Please check with our sales representatives or product engineers before ordering.

## 4. Dimension, Land Pattern and Pin Description

### 4.1 Package outline



### 4.2 Pin description

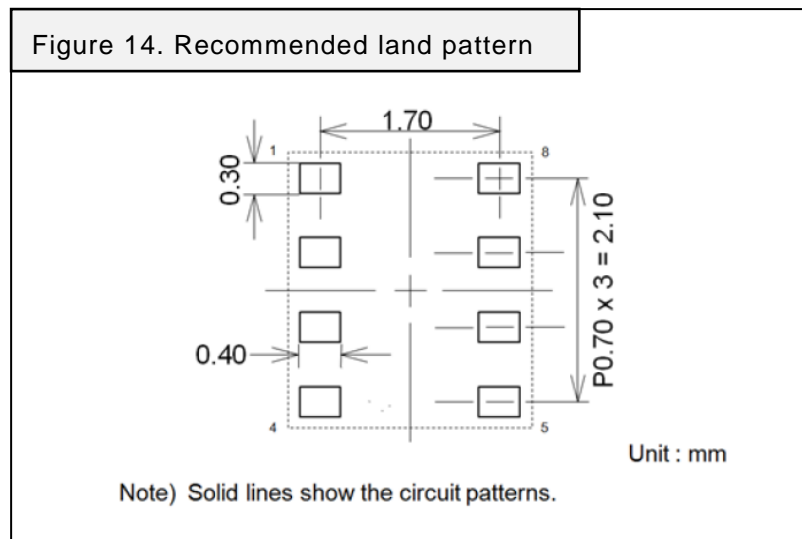
Table 14. Pin description

Pin NO.	Name	Function
1	VDD	Power supply
2	INT	Interrupt digital output
3	SDOUT	SPI MISO
	SA0	LSB of I2C address
4	SCLK	SPI serial port clock
	SCL	I2C serial clock
5	SDIN	SPI MOSI
	SDA	SDA pin
6	CS	CS input
7	GND	Ground
8	REF	Reference voltage

#### Attention:

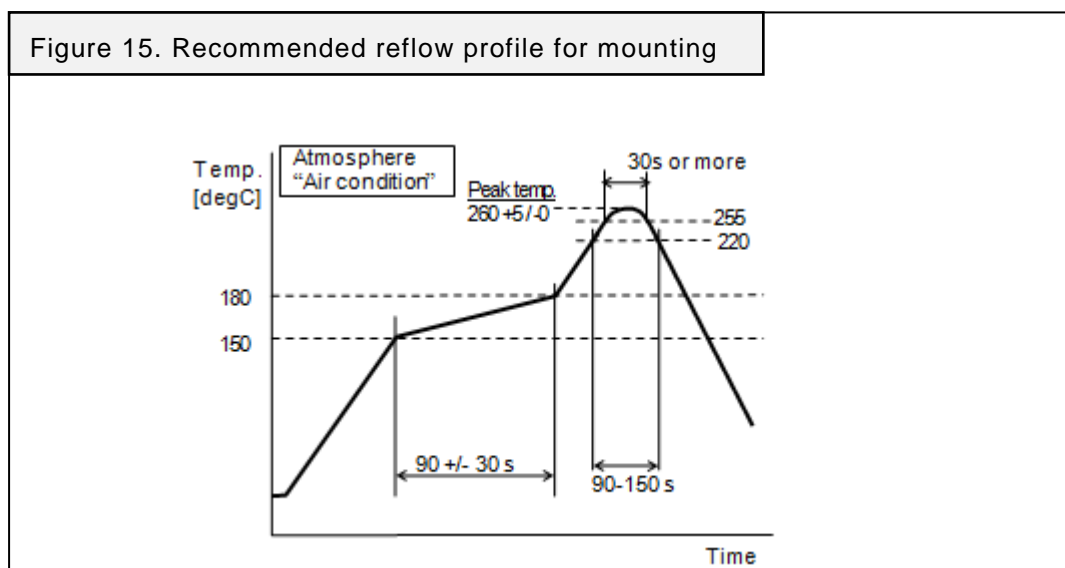
This datasheet is downloaded from the website of Murata Manufacturing Co., Ltd. Therefore, its specifications are subject to change or our products in it may be discontinued without advance notice. Please check with our sales representatives or product engineers before ordering.

### 4.3 Recommended land pattern



### 4.4 Recommended reflow-soldering profile

- Recommendable composition of solder : Sn-3Ag-0.5Cu (lead-free solder)
- Thickness of a solder-print mask : 0.15mm
- Reflow soldering profile (Sn-3Ag-0.5Cu lead-free solder is assumed.)

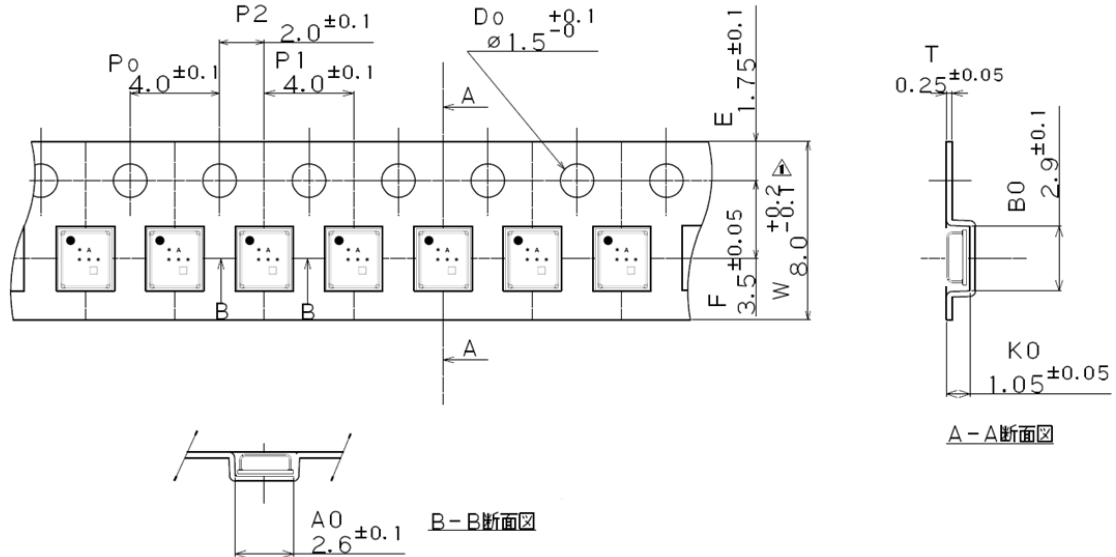


#### Attention:

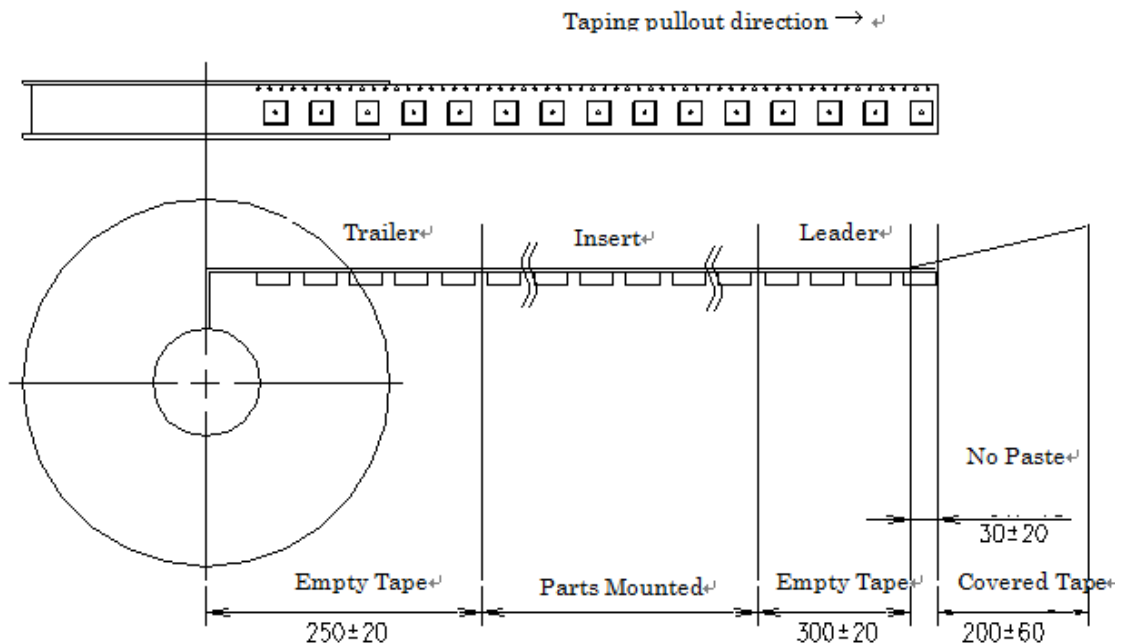
This datasheet is downloaded from the website of Murata Manufacturing Co., Ltd. Therefore, its specifications are subject to change or our products in it may be discontinued without advance notice. Please check with our sales representatives or product engineers before ordering.

## 5. Packing

### 5.1 External Dimensions of Career Tape



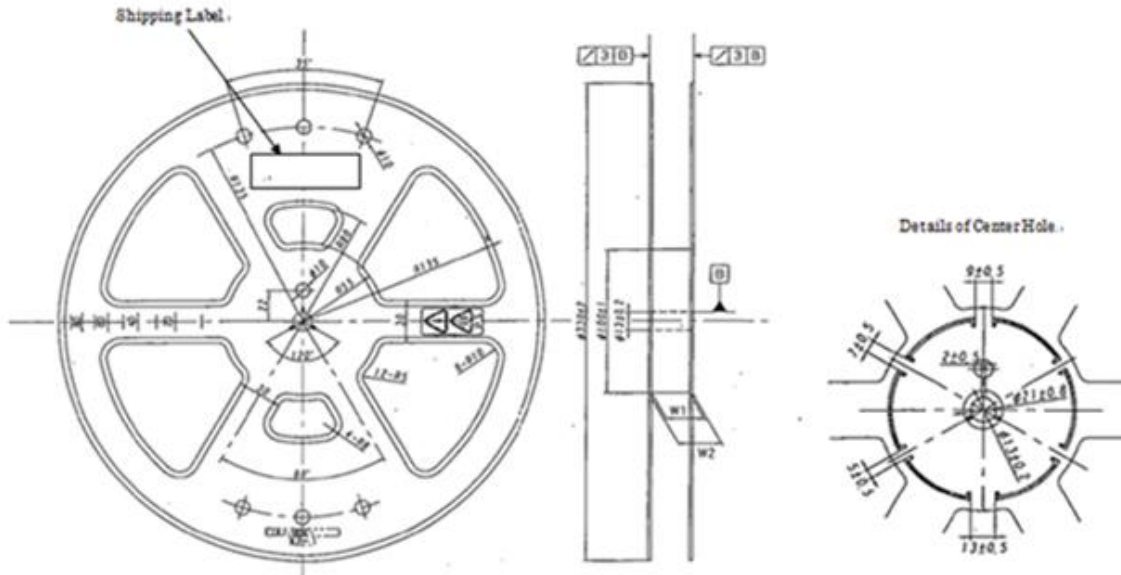
### 5.2 External Dimensions of Reel



#### Attention:

This datasheet is downloaded from the website of Murata Manufacturing Co., Ltd. Therefore, its specifications are subject to change or our products in it may be discontinued without advance notice. Please check with our sales representatives or product engineers before ordering.

Reel inside width & Reel outside width		
Applied tape width	Reel inside width W1	Reel outside width W2
8	95±1.0	135±1.0



**Attention:**

This datasheet is downloaded from the website of Murata Manufacturing Co., Ltd. Therefore, it's specifications are subject to change or our products in it may be discontinued without advance notice. Please check with our sales representatives or product engineers before ordering.

## 6. ⚠ Caution

### 6.1 Notice in handling

- 1) Strong shock should be avoided when transporting and handling. Inner device might be broken and cause characteristics defect. Transport with packing materials is recommended.
- 2) Wear antistatic wristband when handling to implement countermeasure against static electricity. Otherwise, internal circuit might be broken.
- 3) Do not break down our device since characteristics might be changed.
- 4) Do not touch terminals by hand. It may worsen solder mounting and break down internal circuit by static.
- 5) Do not wash our device. It may break down inner device and cause characteristics defect.
- 6) Both manual soldering (by soldering iron) and flow soldering are not applicable. Please apply reflow soldering process when mounting the sensor on the PCB. (see item 4.4 in page 27)

### 6.2 Notice in storage

- 1) Please avoid placing or storing our device in the following conditions because it may cause characteristics change.
  - a) In a place exposed to strong vibration or shock.
  - b) In a place exposed to water.
  - c) In a place exposed to salt water and corrosive gas.
- 2) Please use within 6 months of delivery. Store our product at temperature of -10 to 40 degrees centigrade and at humidity of 15 to 90%, and avoid condensation, shock, corrosive gas, sunlight, and dust etc. Store it with moisture-proof packing. If 6 months passed, it might decrease the solderability. Please verify the solderability before use, and put it through the baking process as follow:
  - 3)
    - a) Once open moisture-proof packing, please mounting within 168h of factor conditions  $\leq 5^{\circ}\text{C} \sim 30^{\circ}\text{C} / 60\% \text{RH}$ .
    - b) Desiccant and indicator card are enclosed in moisture-proof packing. In case 10% of sensing station color is changed from blue to lavender (pink) when unsealing, or in case it passed 168h of factor conditions  $\leq 5^{\circ}\text{C} \sim 30^{\circ}\text{C} / 60\% \text{RH}$ , please bake at 125°C for 24h then mounting.
    - c) Adhesive tape, embossed tape, and reel are not heatproof specification. Do not bake item with tape & reel. Please transfer product to antistatic heat-resisting case then bake it.
    - d) Do not sting, throw, and drop moisture-proof packing to avoid breaking it.
    - e) Do not expose such low molecular gas, hydrogen and helium gas. It may cause characteristic defect.
    - f) Do not pour in fluorinated inert liquid. It may break inside and cause characteristics defect, Fluorinated inert liquid is such as Galden and Fluorinert which are generically used in cistern thermal shock test.

---

#### Attention:

This datasheet is downloaded from the website of Murata Manufacturing Co., Ltd. Therefore, it's specifications are subject to change or our products in it may be discontinued without advance notice. Please check with our sales representatives or product engineers before ordering.

### 6.3 Notice in application

The product is designed and manufactured for consumer application only and is not available for any application listed below which requires especially high reliability for the prevention of such defect as may directly cause damage to the third party's life, body or property. When this product is used for the applications listed below, we shall not be liable for any claims on the product.

- 1) Aircraft equipment.
- 2) Aerospace equipment
- 3) Undersea equipment.
- 4) Power plant control equipment
- 5) Medical equipment
- 6) Transportation equipment (vehicles, trains, ships, etc.)
- 7) Traffic signal equipment.
- 8) Disaster prevention / crime prevention equipment.
- 9) Application of similar complexity and/ or reliability requirements to the applications listed in the above.
- 10) Be sure to provide as appropriate fail-safe function on your product to prevent a second damage that may be caused by the abnormal function or the failure of our product.

You are requested not to use our product deviating from this product specification since Murata and our affiliate company shall not have any indemnity liability for the deviating use.

### 6.4 Note

- 1) Please make sure that your product has been evaluated in view of your specifications with our device being mounted to your product.
- 2) Do not use our product against this product specification.
- 3) It is not appropriate to mention any terms and conditions with regard to the business transaction in the product specifications, drawings or other technical documents.  
Therefore, if any terms and conditions such as warranty clause, product liability clause, or intellectual property infringement liability clause, are mentioned in your technical documents, they would be regarded as invalid.

---

#### Attention:

This datasheet is downloaded from the website of Murata Manufacturing Co., Ltd. Therefore, it's specifications are subject to change or our products in it may be discontinued without advance notice. Please check with our sales representatives or product engineers before ordering.