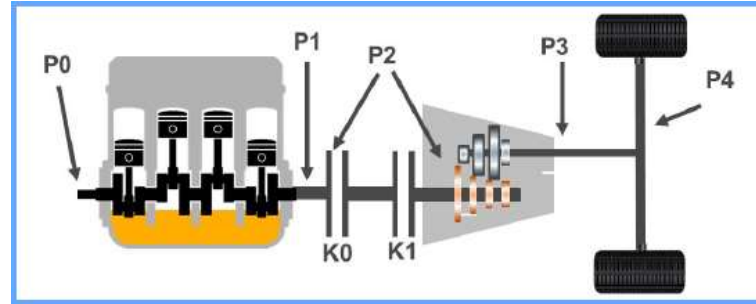
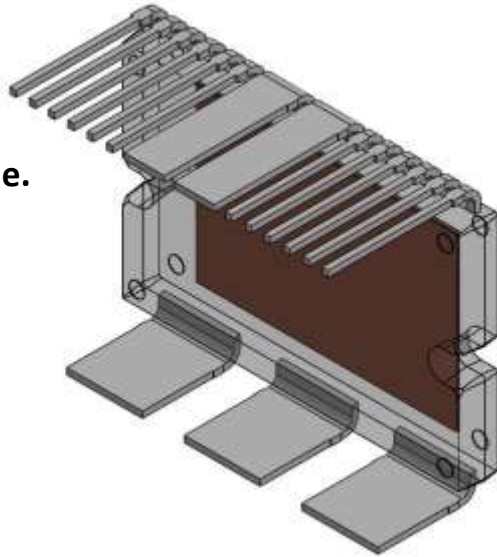


# APM17Mxx for 48V Mild Hybrid Main inverter – In Development

## Description

- High Power 48V Main Inverter solutions
- Flexible application both 3 phase and 6 phase motor system by 3 APMs
- Low junction-sink thermal resistance
- Highly integrated compact design
- Low electrical resistance
- Low stray Inductance
- Better EMI with snubber inside module.
- Electrical isolation over 3KV
- Easy and reliable installation
- High current handling
- Improved overall system reliability
- Temperature sensing
- Pb Free
- Automotive qualified – AQG324

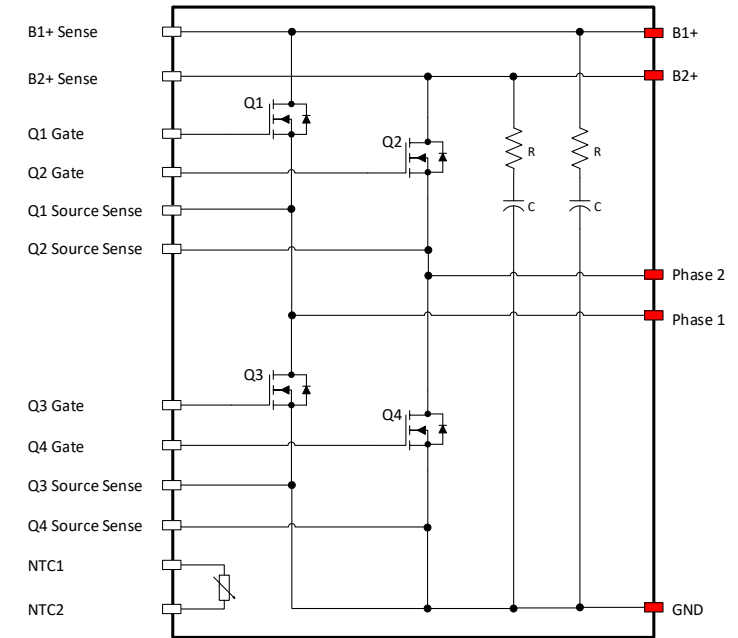


- P0 / P1 - 6kw, 12kw
- P2, P3, P4 - ~ 24kw

Dual  
1/2 Bridge



1/2 Bridge



Public Information

