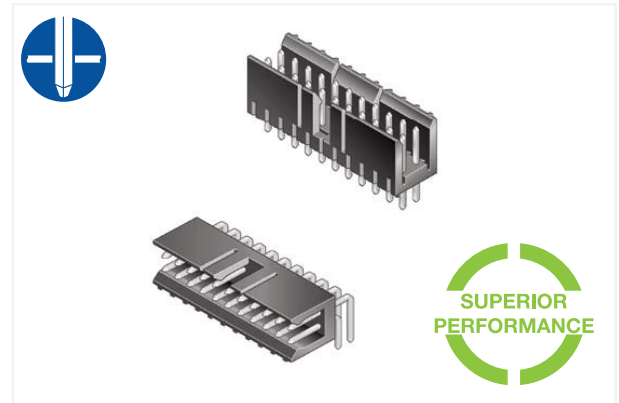


PV™ SHROUDED HEADERS



FEATURES & BENEFITS

- Housing uses our high reliability contact
- High temperature headers
- Passive latching system



TECHNICAL INFORMATION

MATERIALS

- Housing: Black thermoplastic
- Flammability rating: UL94V-0
- Contact: Phosphor-bronze
- Plating: Gold or tin-lead over 1.27µm (50µin.) nickel

ELECTRICAL PERFORMANCE

- Current rating: 3A continuous
- Insulation resistance: 1 x 10⁵MΩ min.
- Dielectric withstanding voltage: 1000V RMS



ENVIRONMENTAL

- Operating temperature range: -40°C to +125°C

MECHANICAL PERFORMANCE

- Contact retention to housing: 17.76 N min.

SPECIFICATIONS

-  File no. E66906
-  File no. LR46923
- Product drawing: By 5-digit base part number
- Product specification: BUS-12-067, BUS-12-075
- Application specification: TA-531

APPROVALS AND CERTIFICATIONS

- This product is RoHS compatible according to the European Union Directive 2002/95/IEC

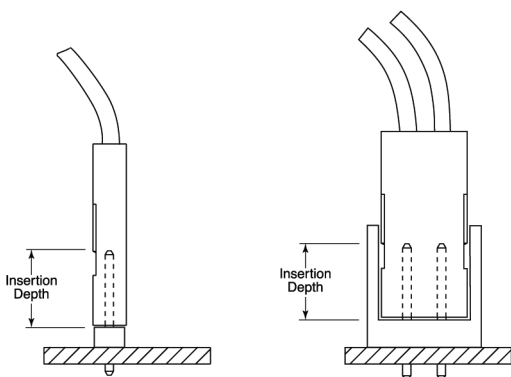
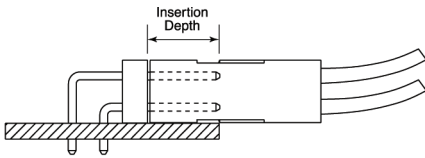
PACKAGING

- Bags

PROCESSING INFORMATION

- Compatible with wave soldering processes

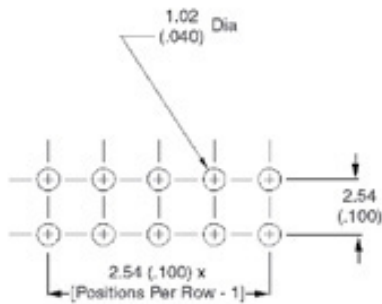
TYPICAL APPLICATIONS



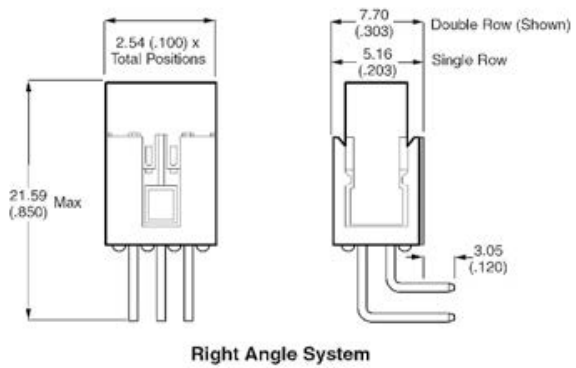
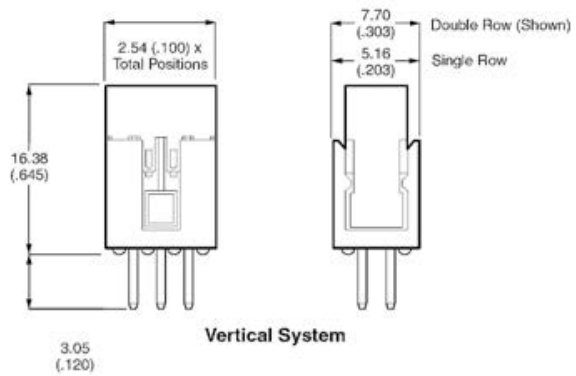
PART NUMBERS

5 DIGIT BASE PART NUMBER			PLATING	TOTAL POSITIONS	HLF
Vertical	Single row	69167	0.76µm (30µin.) gold	1	03 to 15 (Single row)
	Double row	69168		4	
Right angle	Single row	78208	Tin	4	03 to 15 (Single row)
	Double row	78207			

PRODUCT

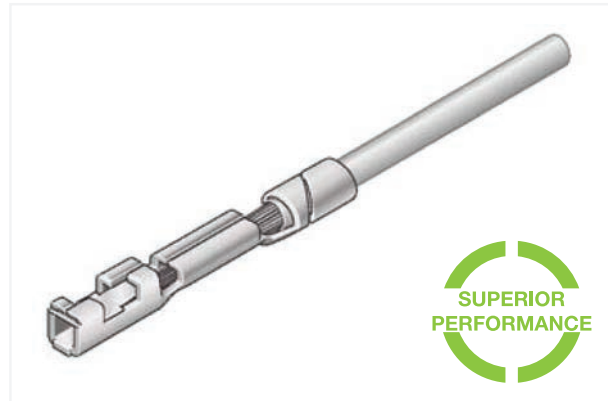


Recommended PCB layouts



Dimension in mm

PV™ CRIMP-TO-WIRE-CONTACTS



FEATURES & BENEFITS

- High reliability contacts for shock and vibration applications
- Three spring thickness options meet application specific insertion, withdrawal, and normal force requirements
- Leaf spring design provides constant retention force after repeated cycles

TECHNICAL INFORMATION

MATERIALS

- Contact: Brass body with beryllium-copper spring
- Pin: Brass
- Plating: Gold or tin over 1.27µm (50µin.) nickel

ELECTRICAL PERFORMANCE

- Current rating: 3A continuous depending on wire size
- Insulation resistance: 5000mΩ min.
- Contact resistance after environmental test: 15mΩ max. – Contact
- Dielectric withstanding voltage: 1000V RMS



ENVIRONMENTAL

- Operating temperature range: -65°C to +125°C

MECHANICAL PERFORMANCE

- Mating cycles (durability): 1000 – Gold
- Insertion force per gold contact:
 - 2.35 N (240gf) – Standard spring
 - 4.41 N (450gf) – High spring
 - 10.79 N (1100gf) – Ultra high spring
- Insertion depth:
 - Discrete wire: 3.5mm min. to 5.3mm max.
[provides .381mm wipe]
 - Crimp-to-wire housing: 4.2mm min. to 5.3mm max.
[provides .381mm (.015in.) wipe in housing]

SPECIFICATIONS

-  File no. E66906
-  File no. LR46923
- Product drawing: By 5-digit base part number
- Product specification: BUS-12-067 Contact
- Application specification: TA-75, TA-146 – Contact, TA-295, TA-228 and TA-302

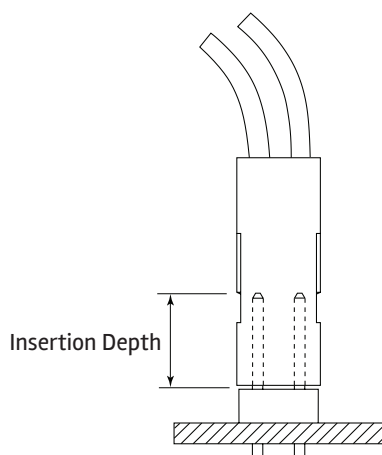
PACKAGING

- 1 Reels
- Boxes – Loose piece

APPROVALS AND CERTIFICATIONS

- This product is RoHS compatible according to the European Union Directive 2002/95/IEC

TYPICAL APPLICATIONS



PART NUMBERS

5 DIGIT BASE PART NUMBER

3-DIGIT DASH NUMBER

LF

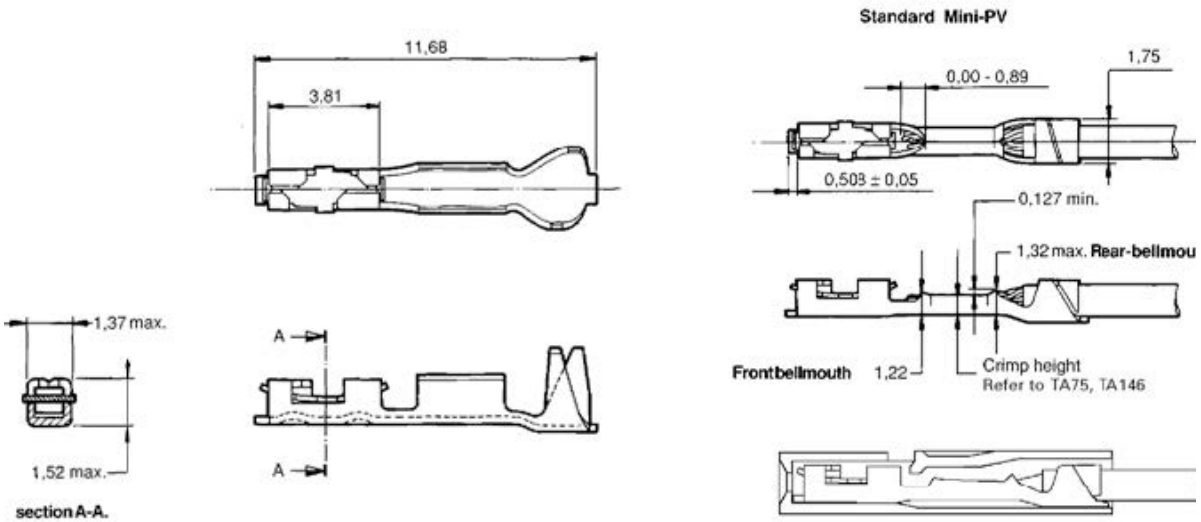
How to select the right contact

- Step 1: Select Application
- Step 2: Select Spring Force
- Step 3: Select Wire Size

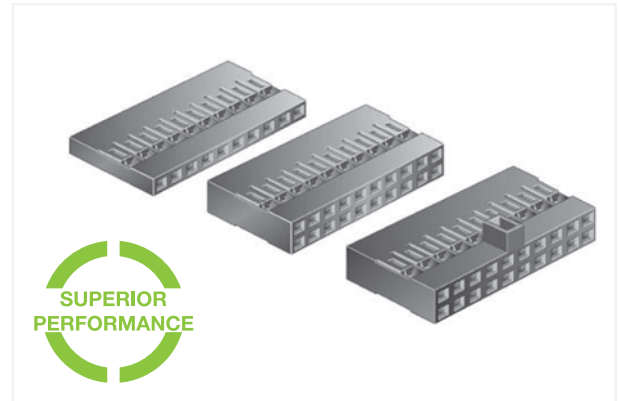
1	2
Application	Spring Force
Housing	
40 – 72 Contacts per housing	Standard
10 – 50 Contacts per housing	High
2– 20 Contacts per housing	Ultra High
Discrete contact	Ultra High

Wire Size (AWG)	Application Spring Force	Part Number
18, 20 or two 22 or two 24	Standard	48276-002LF
	High	48047-002LF
	Ultra high	47566-002LF
22, 24, 26 or two 26 or two 28	Standard	47457-002LF
	High	47439-002LF
	Ultra high	47565-002LF
28,30,32 or two 30 or two 32	Standard	48048-002LF
	High	47437-002LF
	Ultra high	47564-002LF

PRODUCT



PV™ CRIMP-TO-WIRE-HOUSINGS



FEATURES & BENEFITS

- Lowest profile housing in the industry
- Designed for use with our high reliability PV™ Contact



TECHNICAL INFORMATION

MATERIALS

- Housing: Black thermoplastic
- Flammability rating: UL94V-0

ELECTRICAL PERFORMANCE

- Insulation resistance: $1 \times 10^5 \text{M}\Omega$ min.
- Dielectric withstanding voltage: 1000V RMS



ENVIRONMENTAL

- Operating temperature range: -40°C to $+105^\circ\text{C}$

MECHANICAL PERFORMANCE

- Contact retention to housing: 17.76 N min.
- Insertion depth:
 - 4.2mm (.165in.) min. to 5.3mm (.210in.) max.
 - [provides .381mm (.015in.) wipe in housing]

SPECIFICATIONS

-  File no. E66906
-  File no. LR46923
- Product drawing: By 5-digit base part number
- Product specification: BUS-12-067
- Application specification: TA-531

APPROVALS AND CERTIFICATIONS

- This product is RoHS compatible according to the European Union Directive 2002/95/IEC

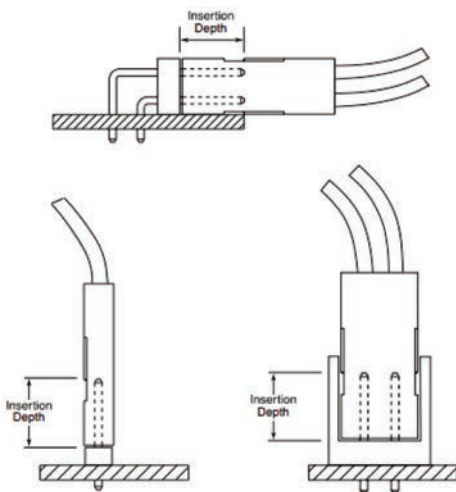
PACKAGING

- Bags

PROCESSING INFORMATION

- Compatible with wave soldering processes

TYPICAL APPLICATIONS



PART NUMBERS

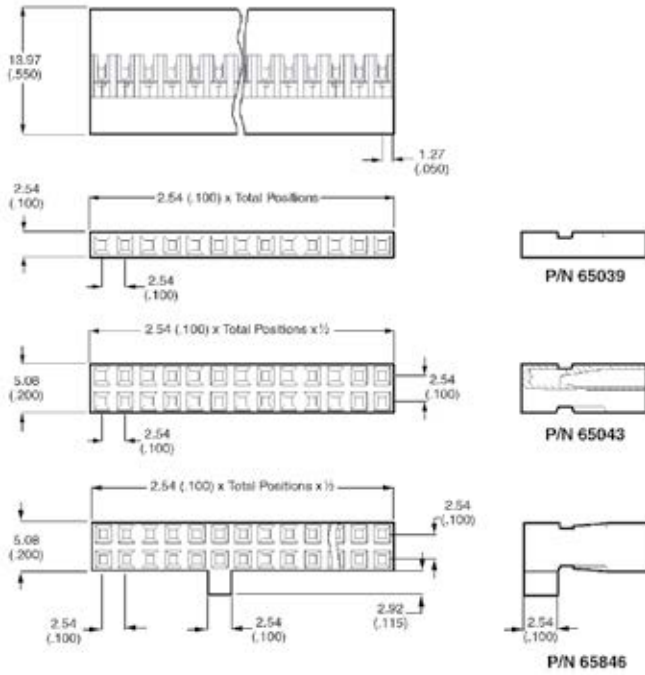
5 DIGIT BASE PART NUMBER — 3-DIGIT DASH NUMBER ELF

Single row	65039
Double row	65043
Double row with center key	65846

Single Row			Double Row			Single Row			Double Row		
Total Positions	65039	78211	Total Positions	65043	65846	Total Positions	65039	78211	Total Positions	65043	65846
			4	-035		19	-018		40	-017	-024
2	-035		6	-034		20	-017		42	-016	-025
3	-034	-003	8	-033		21	-016		44	-015	-004
4	-033	-004	10	-032		22	-015		46	-014	-026
5	-032	-005	12	-031	-017	23	-014		48	-013	-027
6	-031	-006	14	-030		24	-013		50	-012	
7	-030	-007	16	-029		25	-012		52	-011	-028
8	-029	-008	18	-028		26	-011		54	-010	
9	-028	-009	20	-027		27	-010		56	-009	-029
10	-027	-010	22	-026	-018	28	-009		58	-008	-030
11	-026	-011	24	-025		29	-008		60	-007	-013
12	-025	-012	26	-024	-019	30	-007		62	-006	-031
13	-024	-013	28	-023	-020	31	-006		64	-005	-009
14	-023	-014	30	-022		32	-005		66	-004	-032
15	-022	-015	32	-021	-021	33	-004		68	-003	-033
16	-021		34	-020	-022	34	-003		70	-002	-034
17	-020		36	-019	-023	35	-002		72	-001	-035
18	-019		38	-018		36	-001				



PRODUCT



BWBPVCTW0813EA4