

ENABLING VAST WIRELESS CONNECTIVITY TO UNLEASH YOUR IOT POTENTIAL IN SMART BUILDING

Every second, another

127

devices are connected to the internet

There may be

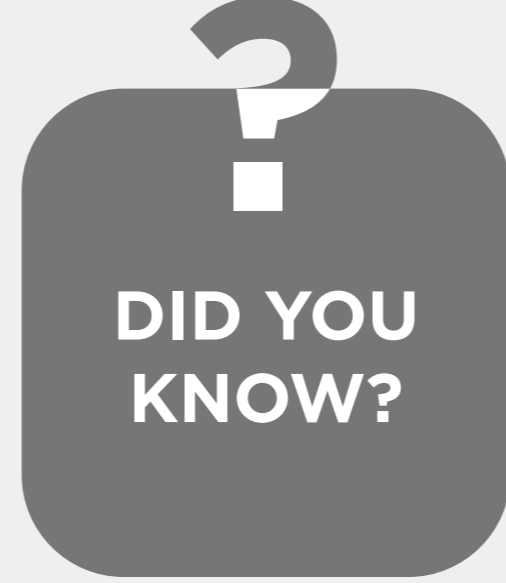
41 Billion

IoT devices by 2027

There may be

1.9 Billion

5G cellular subscriptions by 2024



The Smart Building Market is projected to grow from

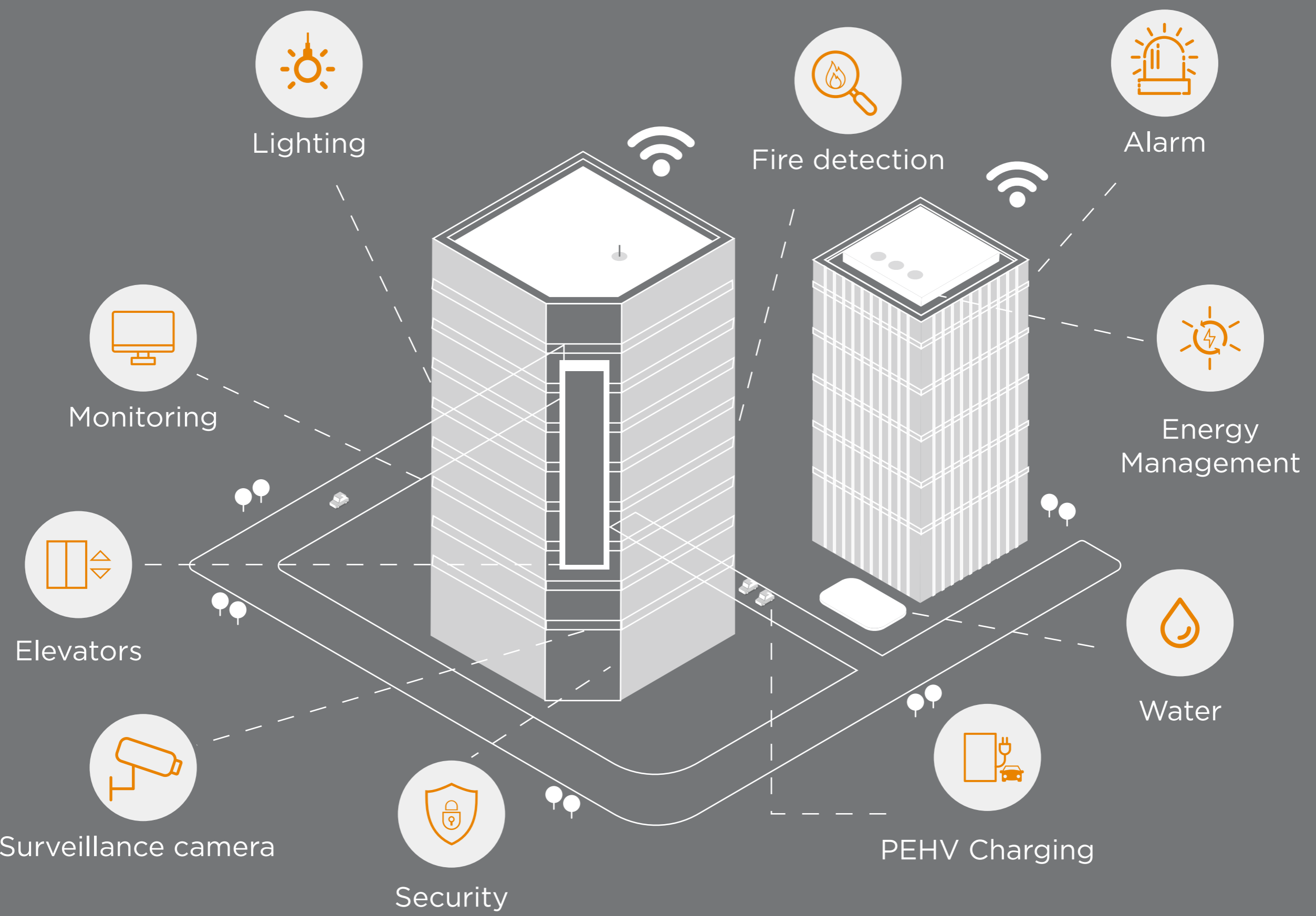
USD 60.7 Billion
2019



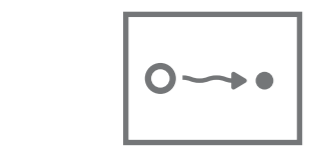
USD 105.8 Billion
by **2024** at a 11.7% growth rate

CAGR of 11.7%

TE Connectivity (TE) is a leading provider of standard embedded and external antenna solutions that can enable reliable wireless connectivity.



Benefits



Clean, free of transmission interferences



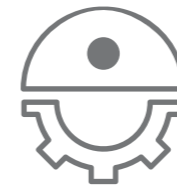
High efficiency antenna (signal performance)



Compact designs



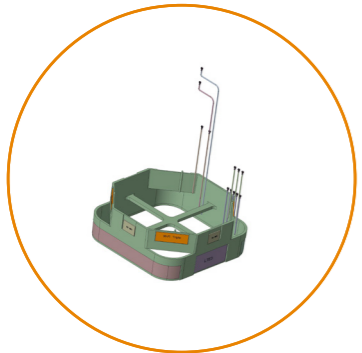
Micro cells and small cells are commonly needed to enable 5G performance inside buildings



Engineering support & expertise to help deliver success for IoT Design engineers

Antenna Solutions

Wireless servers: Gateway



4X4 MIMO (Wi-Fi With Cellular)

- MIMO assembly capability with TE's RF integration service
- Extensive contiguous clean spectrum
- System design flexibility
- Quick time-to-market

Wireless clients



NB-IoT / CAT-M Antenna product #2108784-1

- Omnidirectional coverage
- On board SMD PCB antenna
- Wide Band coverage for 3G, 4G and 5G with GNSS
- Bandwidth and performance dependent on ground plane size/ design suggested minimum ground plane length from antenna feed is 120mm
- Available in tape & reel packaging mounting



Wi-Fi 6E Antenna product #2108792-1

- Extensive contiguous clean spectrum
- For use in Wi-Fi 6, Wi-Fi 6E, Bluetooth and Zigbee certified products
- Adhesive backing on the FPC simplifies mounting within the device
- Global frequency coverage
- FPC antenna assembly
- Different cable length and connector options available
- System design flexibility
- Quick time-to-market



GNSS / WLAN Combination Antenna product #2195760-1

- Combination antennas : GNSS and WLAN dual band antenna
- FPC antenna assembly
- Minimum or no matching circuits required
- Bandwidth and performance are not dependent on ground plane size
- System design flexibility
- Quick time-to-market



TE Connectivity portfolio benefits

20+
Years of Know How

We can address your expectations and help unleash your IoT potential by offering many wireless possibilities.

- High reliability: high performance and isolation
- High efficiency: optimized throughput, minimal losses
- State of the art antenna laboratories and in-house testing
- Easy implementation reducing total cost of ownership
- Improved sensitivity delivering excellent coverage
- Mating RF components available for greater flexibility