

A Glimpse of Laird Performance Materials in Schaumburg



*A center of excellence in precision thin gage metal parts and multi-functional products
prototyping and short run production*

Agenda

Laird Expertise Makes Complex Things Simple

- Products of focus
 - Complex by function - EMI shielding, multi-functional (thermal, absorber, Kapton) & “flexing” and “very small” like battery contacts, clips
 - Thin gage metals - shields/precision metals parts
- Advantages over competition
 - Speed of development – 5 days or less for 50-piece samples using standard materials, no outside services that include design, tooling.
 - Reliability/performance – Using our in-house engineers we can simulate/analyze thermal, EMI and mechanical challenges with material properties to predict lifetime, stress analysis, draw simulation, etc.
 - Multi-functional Solution (MFS) capabilities – in addition to in house dielectric coatings, laser welding/marking, Laird absorber/thermal pad quickly sourced and in house quick turn application
 -
- Serving markets
 - EV: Inventus, Milwaukee tools, Polaris, Honeywell, NIO
 - Medical IoT: Tandem Medical, Siemens Healthineer, Phillips Healthcare, Medtronic, GE Healthcare, Abbot, Dexcom, Verily Life
 - AR/VR: Magic leap, Oculus, Hololens
 - Industrial/consumer IoT: Fitbit, Garmin, Misfit, Shure (stage audio)
 - Industrial automation: Amazon, iRobot, Kespry, Autel, Parrot, Skydio

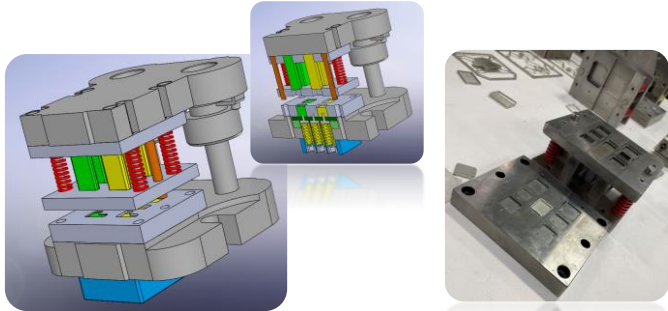
Differentiating Capabilities

4-way multi slide technology



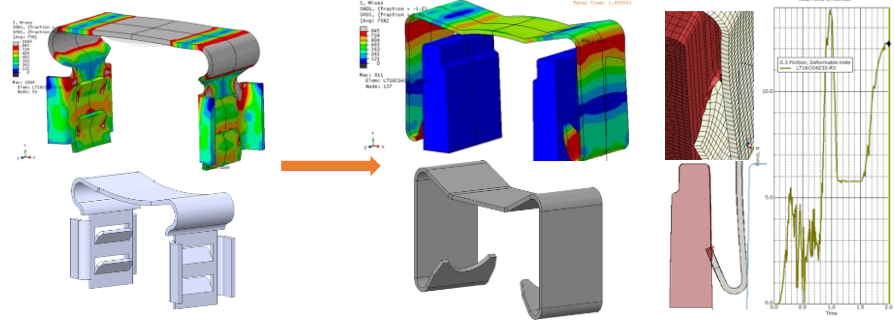
Differentiating Capabilities

Tool Design & Manufacture



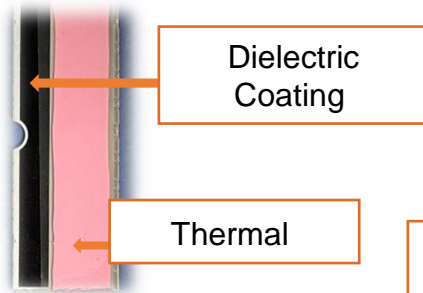
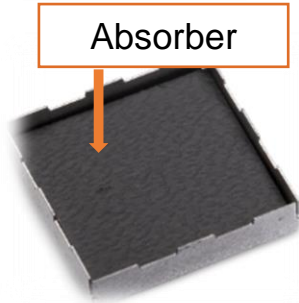
Design Solutions

From problematic to manufacture and poor function – to simple and effective, with verified functionality in 3 days

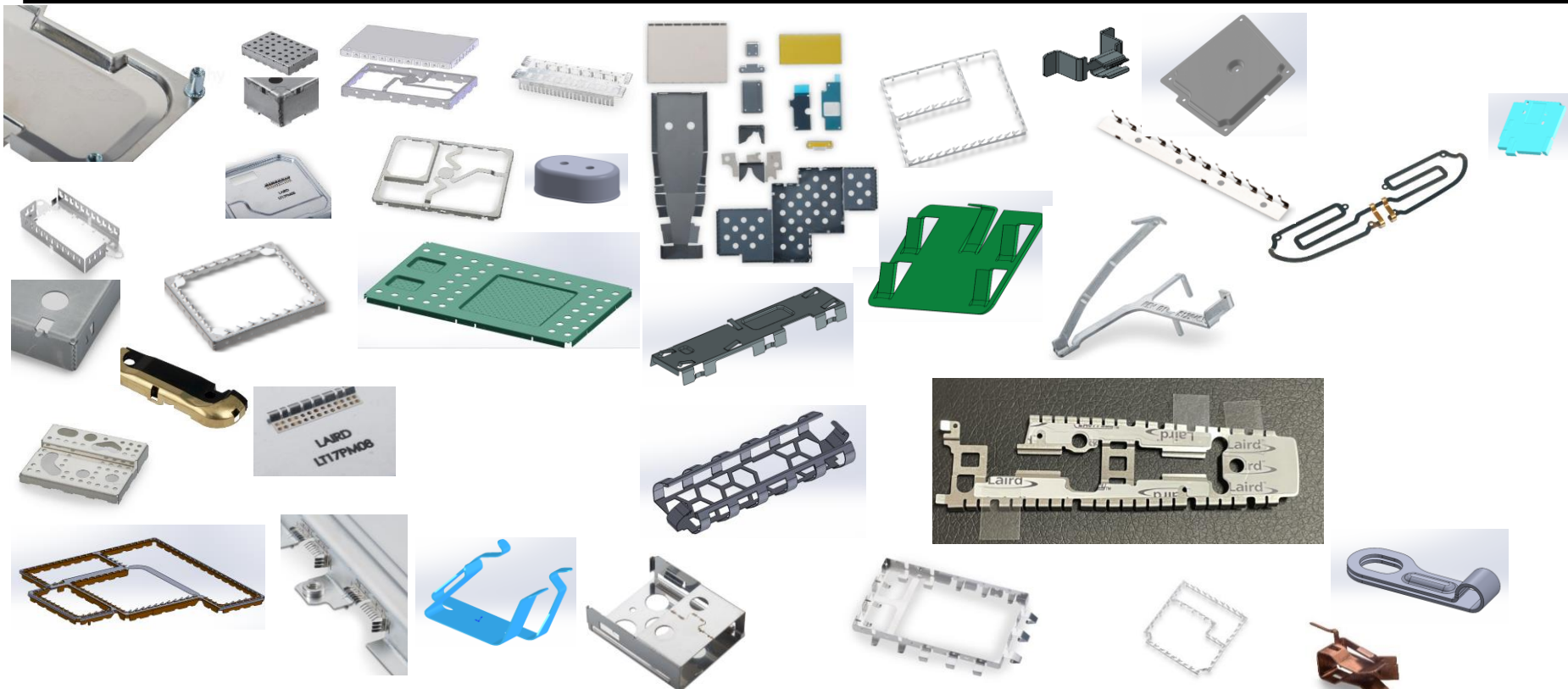


Capabilities

- Insulation Coating LTD-21
- Laser/spot welding
- Laser marking
- MFS Metal Assemblies
- TnR/ Tray packing
- ISO 9001/TS 16949



Differentiating Capabilities



Differentiating Capabilities

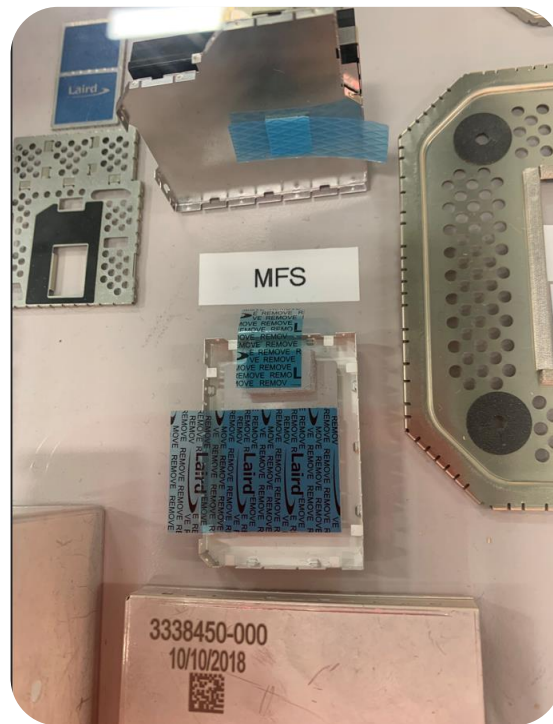
Our Global Footprint Near You



Laird is a global leader in engineering advanced thermal and electro-magnetic solutions to protect electronic applications. As a go-to brand trusted by industry leaders, Laird serves customers from manufacturing sites and offices around the world.

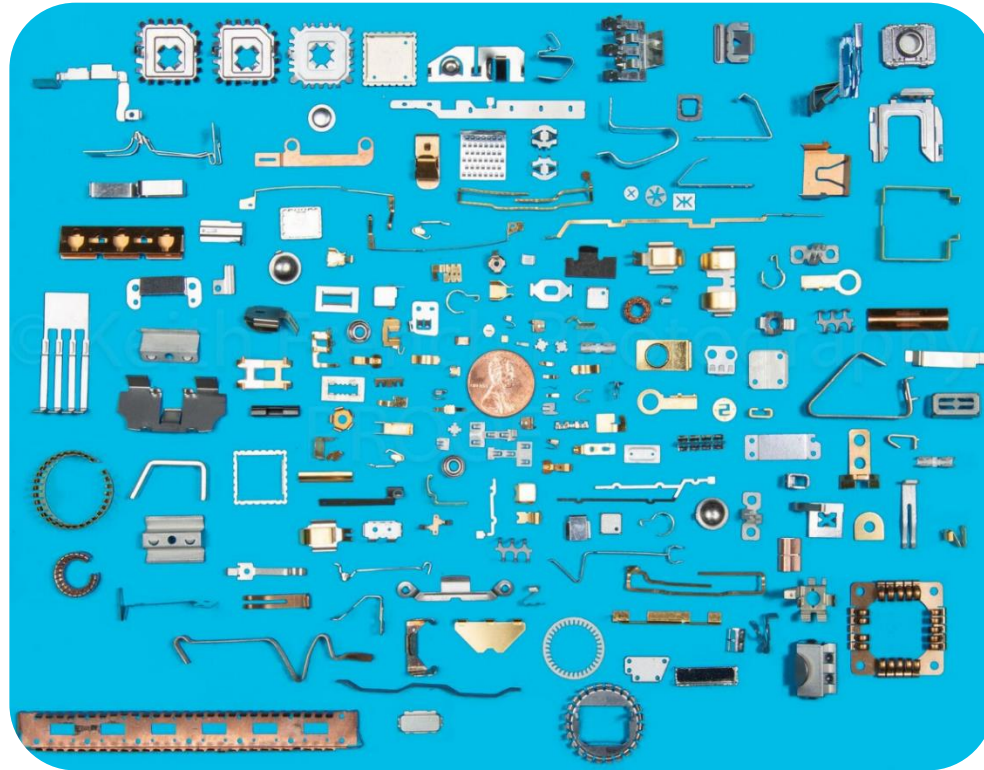


Co-Engineering



Laird Performance Materials:

Enabling & Protecting Electronics Using Schaumburg's Unmatched Prototypes and Solutions



Laird Confidential

Back-up/Other slides

METAL PARTS

Laird's Schaumburg, Illinois, site is an acknowledged **global leader** in engineering advanced electromagnetic solutions to protect electronic applications. These design-critical applications require precision metal parts which are **smaller, thinner, and lighter**, for instance, where a battery contact may have “flexing” requirements,” and where the customer and manufacturer can agree that the metal part development project is exceedingly

COMPLEX

Among Schaumburg's many advantages in metals

- ★ **Speed of development:** World renowned for rapid prototypes, in days
How? Design, analysis, prototype, ramp to manufacturing within Laird
- ★ **Reliability/performance:** Modeling and simulations, predictions of lifetimes
- ★ **Low-cost designs:** Simpler than competitors; Laird keeps tool costs low
- ★ **World-class tooling** and manufacturing capabilities: All under one roof
- ★ **Team:** We employ experts with hundreds of years of combined experience
- ★ **Huge resources** to prototype and manufacture vital multi-functional solutions

Who's looked to Schaumburg for prototype solutions?

EV: Inventus, Milwaukee Tools, Polaris, Honeywell

Medical IoT: Tandem Medical, Abbott, Siemens Healthineer, Phillips Healthcare, Medtronic, Insulet, GE Healthcare, Sonosite-Fujifilm

AR/VR: Magic Leap, Oculus, Microsoft® Hololens

Industrial/Consumer IoT: Fitbit, Garmin, Misfit, GoPro

Industrial Automation: Amazon, iRobot, Kespry, Autel, Parrot, Skydio

Major Customers:



The Product Realization Company



Internal Use ONLY

