

FILM CAPACITORS FOR AUTOMOTIVE

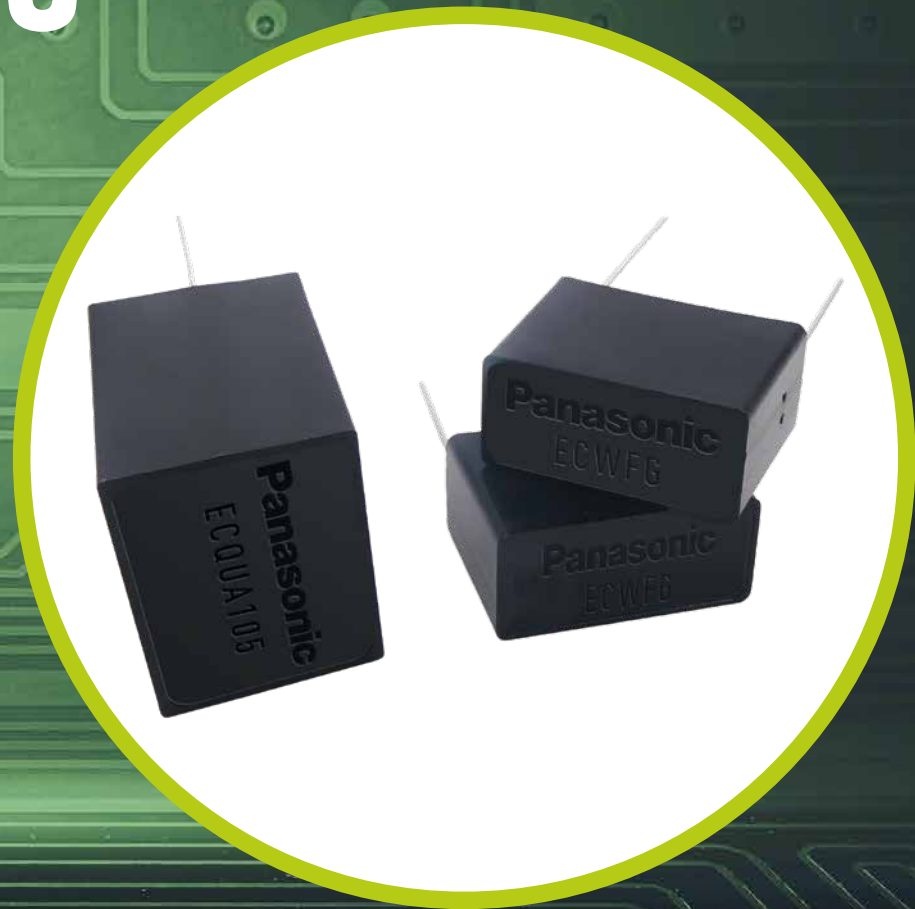
High Safety (patterned metallization with fuse function)

High Humidity Resistance

High Thermal Shock Resistance

AEC-Q200 Compliant

RoHS Compliant



AUTOMOTIVE



INDUSTRIAL
POWER SUPPLY



EV / PHEV
CHARGER



DC/DC, AC/DC
CONVERTER

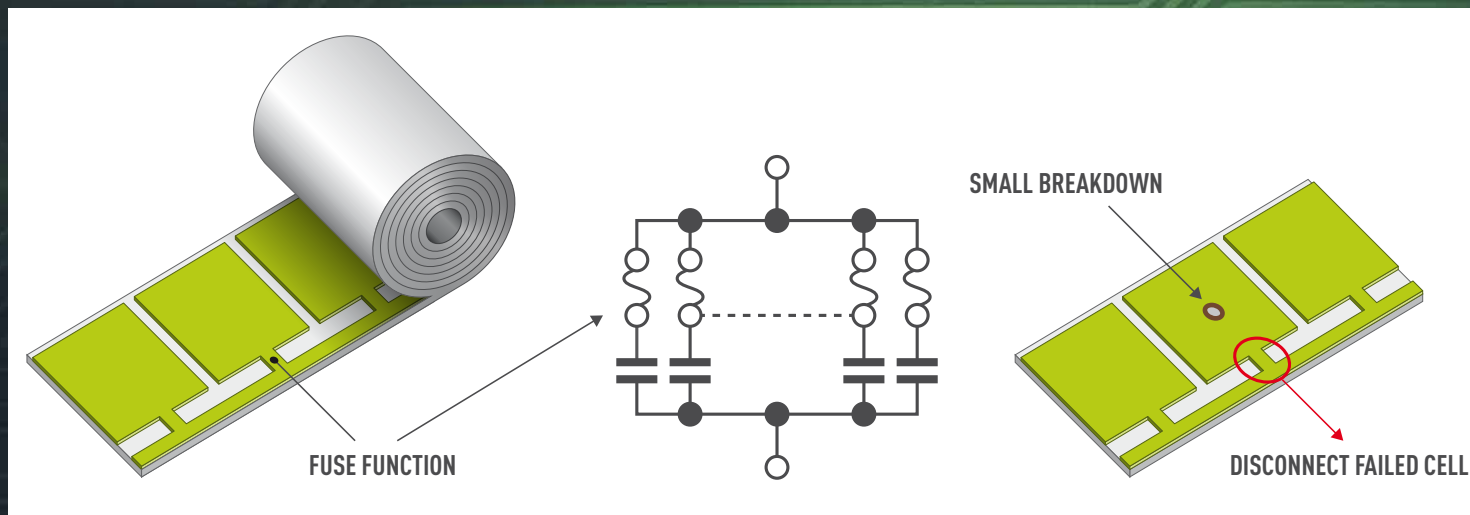


RENEWABLE
ENERGY

Function & Feature

Function	Interference Suppression (Safety class X2)	Power Factor Correction / Smoothing
Dielectric Film	Metallized Polypropylene Film	Metallized Polypropylene Film
Series	ECQUA	ECWFG
Rated Voltage	275 VAC	630 VDC
Capacitance Range	0.1 μ F to 4.7 μ F	1 μ F, 1.5 μ F, 2.2 μ F, 3 μ F, 4.7 μ F
Capacitance Tol.	\pm 10%, \pm 20%	\pm 5%, \pm 10%
Category Temperature	-40°C to 110°C	-40°C to 110°C ⇒ 125°C max (for limited time)
Failure Mode	Open Circuit	Open Circuit
Moisture Resistance	85°C / 85% RH / 240VAC / 1,000h	85°C / 85% RH / 500VDC / 1,000h
Thermal Shock Resistance	-40°C ⇔ 85°C 1,000 cycle	-40°C ⇔ 85°C 1,000 cycle

Patterned metallization with fuse function



Panasonic original
IN-HOUSE
metallization process

Safety mechanism