

LEAD STYLE	-02.5-DV		-03.0-DV		-04.0-DV		-06.0-DV		WIPE	
	"A" FULLY MATED	"A" MAX	"A" FULLY MATED	"A" MAX	"A" FULLY MATED	"A" MAX	"A" FULLY MATED	"A" MAX	FULLY MATED	MIN
-02.5-DV	.197 [5.00]	.247 [6.27]							.065 [1.65]	.015 [0.38]
-03.0-DV	.217 [5.50]	.267 [6.77]	.236 [6.00]	.286 [7.27]					.065 [1.65]	.015 [0.38]
-04.0-DV	.256 [6.50]	.306 [7.77]	.276 [7.00]	.326 [8.27]	.315 [8.00]	.365 [9.27]			.065 [1.65]	.015 [0.38]
-06.0-DV	.335 [8.50]	.385 [9.77]	.354 [9.00]	.404 [10.27]	.394 [10.00]	.444 [11.27]	.472 [12.00]	.522 [13.27]	.065 [1.65]	.015 [0.38]

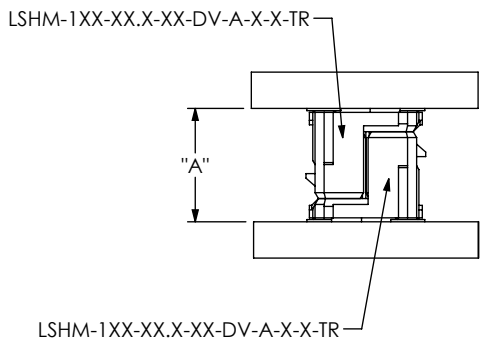


FIG 1  
LSHM-DV TO LSHM-DV

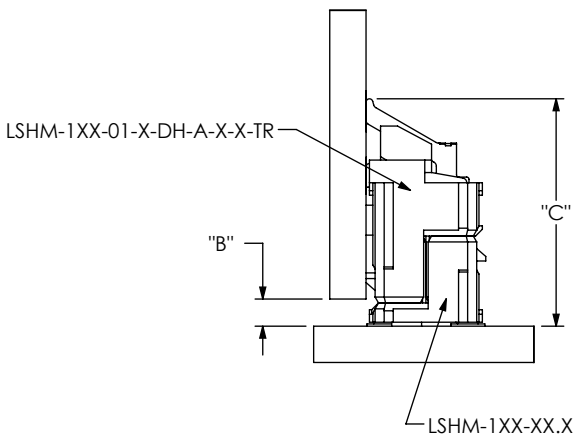
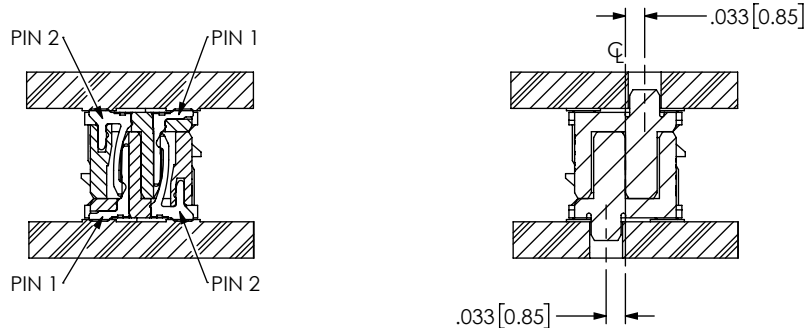
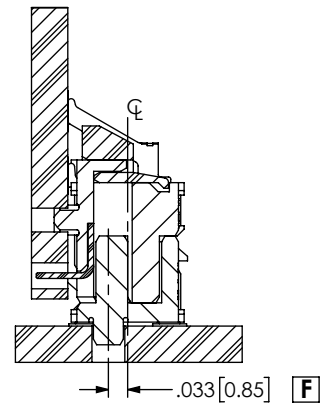
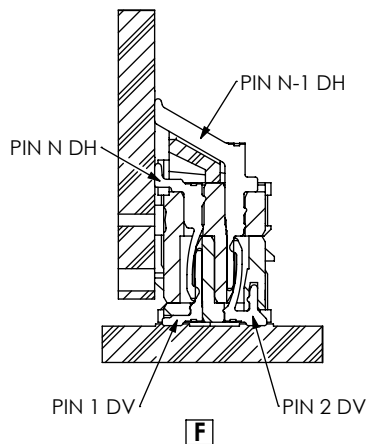


FIG 2  
LSHM-DV TO LSHM-DH



NOTES:

1. DRAWING ILLUSTRATES EFFECTIVE MATING RANGE OF CONNECTORS IN VARIOUS CONFIGURATIONS
2. ALTHOUGH MAX DIMENSIONS ARE LISTED SAMTEC RECOMMENDS FULLY MATING COMPONENTS.
3. ALL DIMENSIONS BASED ON NOMINAL VALUES FOR SAMTEC RECOMMENDED PCB LAYOUTS.
4. FOR APPLICATIONS REQUIRING TWO OR MORE CONNECTORS PER BOARD, CONTACT IPG@SAMTEC.COM

LEAD STYLE	-01-DH				WIPE	
	"B" FULLY MATED	"B" MAX	"C" FULLY MATED	"C" MAX	FULLY MATED	MIN
-02.5-DV	.047 [1.19]	.097 [2.46]	.395 [10.03]	.445 [11.30]	.065 [1.65]	.015 [0.38]
-03.0-DV	.067 [1.70]	.117 [2.97]	.415 [10.53]	.465 [11.80]	.065 [1.65]	.015 [0.38]
-04.0-DV	.106 [2.69]	.156 [3.96]	.454 [11.53]	.504 [12.80]	.065 [1.65]	.015 [0.38]
-06.0-DV	.185 [4.70]	.235 [5.97]	.533 [13.53]	.583 [14.80]	.065 [1.65]	.015 [0.38]

**PROPRIETARY NOTE**  
THIS DOCUMENT CONTAINS CONFIDENTIAL AND PROPRIETARY INFORMATION AND ALL DESIGN, MANUFACTURING, REPRODUCTION, USE, PATENT RIGHTS AND SALES RIGHTS ARE EXPRESSLY RESERVED BY SAMTEC, INC. THIS DOCUMENT SHALL NOT BE DISCLOSED, IN WHOLE OR PART, TO ANY UNAUTHORIZED PERSON OR ENTITY NOR REPRODUCED, TRANSFERRED OR INCORPORATED IN ANY OTHER PROJECT IN ANY MANNER WITHOUT THE EXPRESS WRITTEN CONSENT OF SAMTEC, INC.



LEAD STYLE	-01-RH				WIPE	
	"D" FULLY MATED	"D" MAX	"E" FULLY MATED	"E" MAX	FULLY MATED	MIN
-02.5-DV	.176 [4.47]	.226 [5.74]	.389 [9.87]	.439 [11.14]	.065 [1.65]	.015 [0.38]
-03.0-DV	.196 [4.98]	.246 [6.25]	.408 [10.37]	.458 [11.64]	.065 [1.65]	.015 [0.38]
-04.0-DV	.235 [5.97]	.285 [7.24]	.448 [11.37]	.498 [12.64]	.065 [1.65]	.015 [0.38]
-06.0-DV	.314 [7.98]	.364 [9.25]	.526 [13.37]	.576 [14.64]	.065 [1.65]	.015 [0.38]

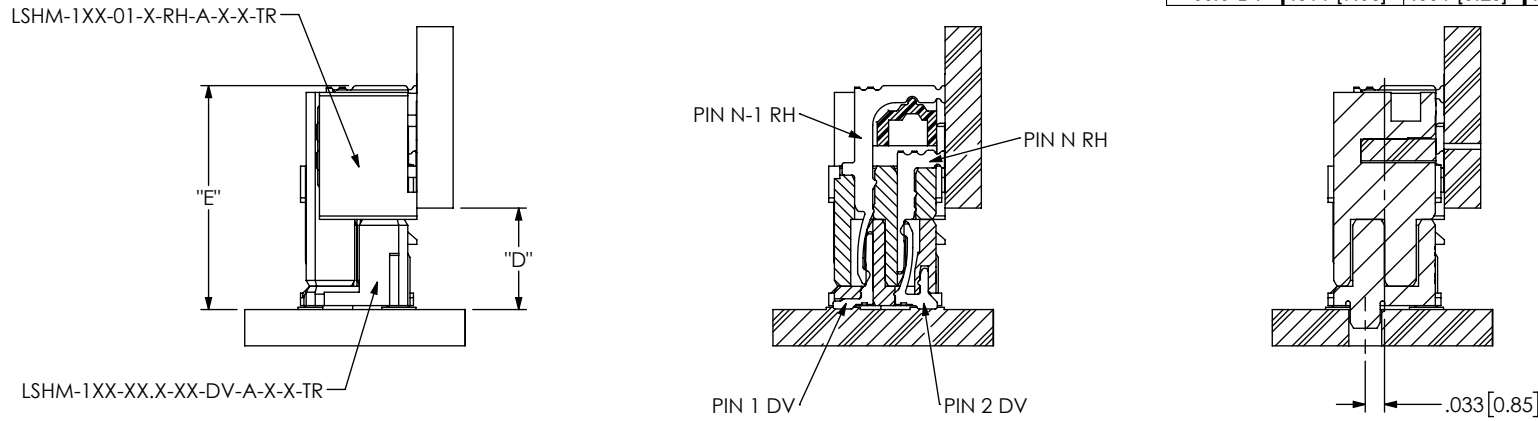


FIG 3  
LSHM-DV TO LSHM-RH

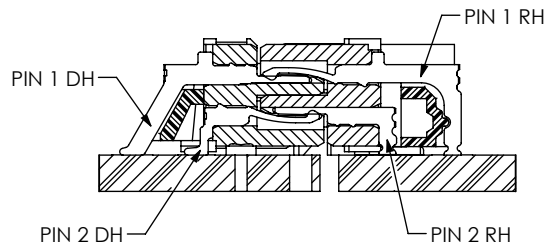
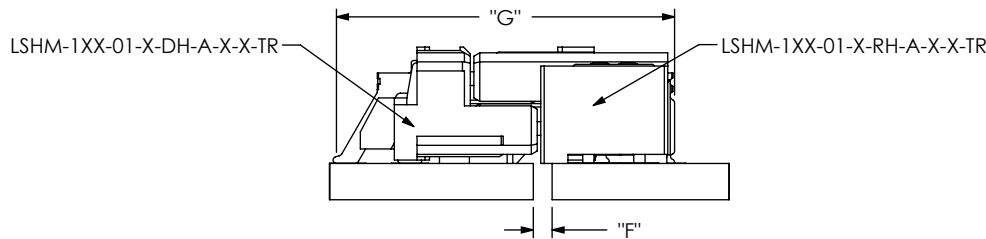


FIG 4  
F LSHM-DH TO LSHM-RH

LEAD STYLE	-01-RH				WIPE	
	"F" FULLY MATED	"F" MAX	"G" FULLY MATED	"G" MAX	FULLY MATED	MIN
-01-DH	.027 [0.69]	.077 [1.96]	.587 [14.91]	.637 [16.18]	.065 [1.65]	.015 [0.38]

PROPRIETARY NOTE  
THIS DOCUMENT CONTAINS CONFIDENTIAL AND PROPRIETARY INFORMATION AND ALL DESIGN, MANUFACTURING, REPRODUCTION, USE, PATENT RIGHTS AND SALES RIGHTS ARE EXPRESSLY RESERVED BY SAMTEC, INC. THIS DOCUMENT SHALL NOT BE DISCLOSED, IN WHOLE OR PART, TO ANY UNAUTHORIZED PERSON OR ENTITY NOR REPRODUCED, TRANSFERRED OR INCORPORATED IN ANY OTHER PROJECT IN ANY MANNER WITHOUT THE EXPRESS WRITTEN CONSENT OF SAMTEC, INC.



520 PARK EAST BLVD, NEW ALBANY, IN 47150  
PHONE: 812-944-6733 FAX: 812-948-5047  
e-Mail info@SAMTEC.com code 55322