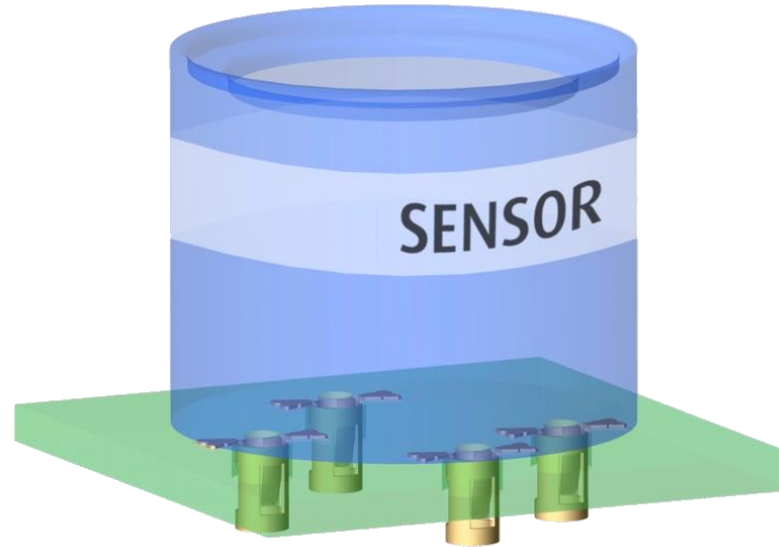


Sycamore Contact



Sycamore Contact SMT PCB Socket

Single PCB connections



There are many electronics devices and modules that are replaceable – by soldering these products directly to the PCB, the life of the board is limited. By using a PCB socket for the board connections, the product becomes fully repairable. In some cases, a device may be too temperature sensitive – the use of a PCB socket can eliminate the soldering temperature exposure.

SMT PCB Sockets are ideal for odd-form components, which do not fit in a regularly-spaced socket strip. As individual connections, they can also provide connectivity when just one signal or power connection is required.

Sycamore Contact SMT PCB Socket

Improved reliability connections

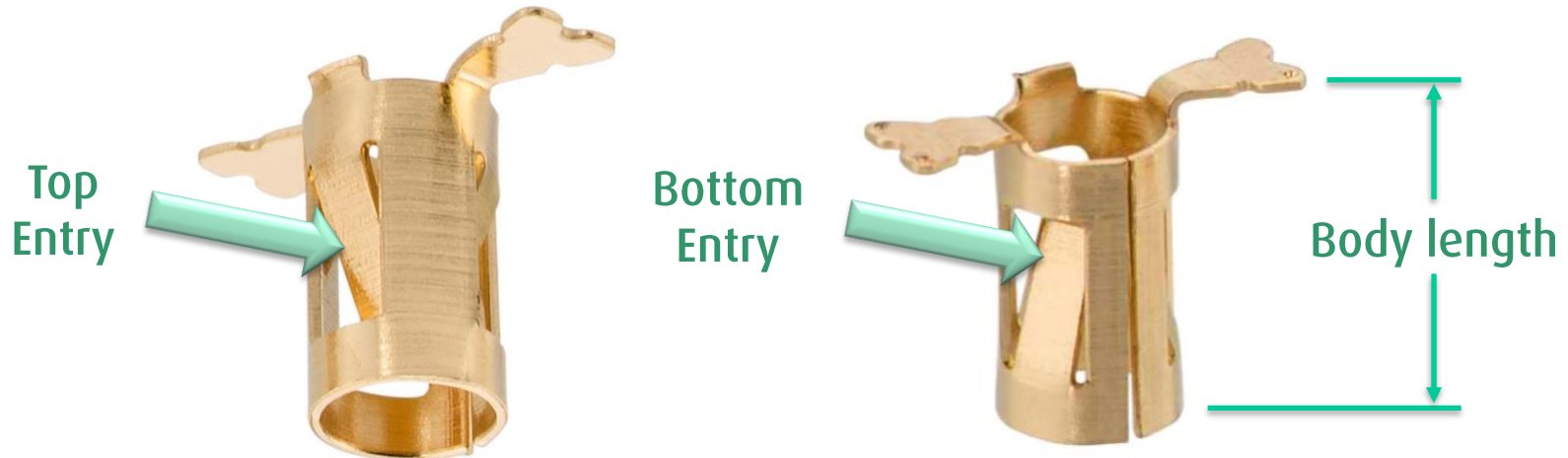


Previous designs of SMT contacts have only included 2 points of contact to the mating pin, making them potentially vulnerable to vibration. The [Sycamore Contact](#) patent-pending design incorporates 3 points of contact for improved continuous signal integrity.

Sockets are manufactured from Beryllium Copper for increased temperature range and increased durability (number of mating cycles), and gold plated for improved wear resistance.

Sycamore Contact SMT PCB Socket

Flexibility of design options

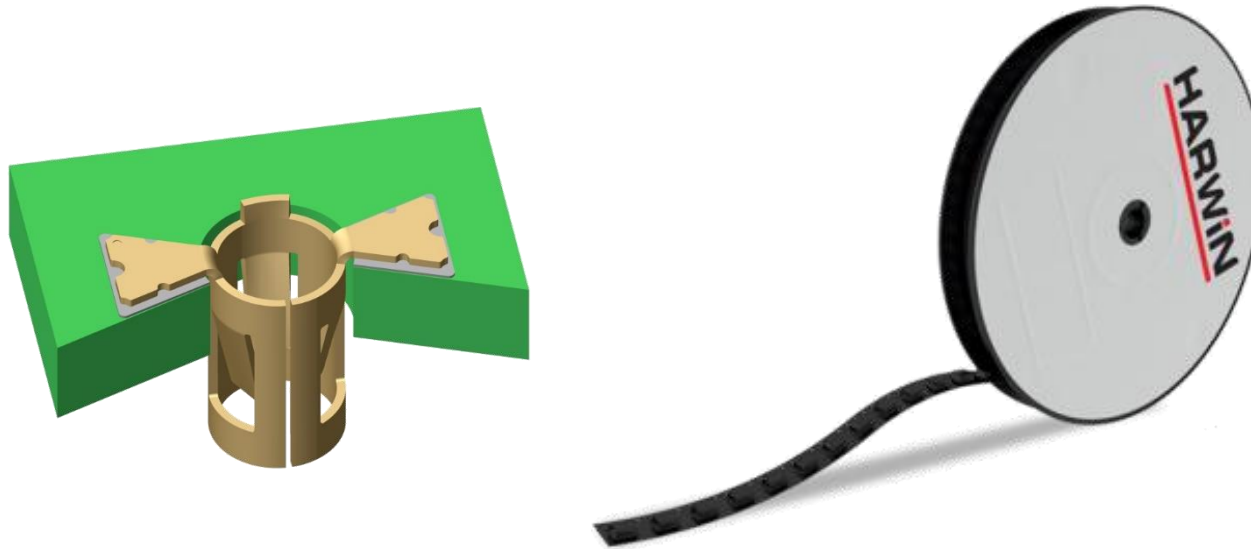


The Sycamore Contact is available in 6 designs – two entry types, two mating pin sizes, two body lengths:

- [S9111-45R](#) – Top entry, $\emptyset 1.5$ - 1.9 mm mating pin, 3.87mm body length
- [S9121-45R](#) – Bottom entry, $\emptyset 1.5$ - $\emptyset 1.9$ mm mating pin, 3.87mm length
- [S9131-45R](#) – Top entry, $\emptyset 0.8$ - $\emptyset 1.3$ mm mating pin, 3.87mm length
- [S9141-45R](#) – Bottom entry, $\emptyset 0.8$ - $\emptyset 1.3$ mm mating pin, 3.87mm length
- [S9321-45R](#) – Bottom entry, $\emptyset 1.5$ - $\emptyset 1.9$ mm mating pin, 5.87mm length
- [S9341-45R](#) – Bottom entry, $\emptyset 0.8$ - $\emptyset 1.3$ mm mating pin, 5.87mm length

Sycamore Contact SMT PCB Socket

Ready for auto-placement



All Sycamore Contacts are available in Tape and Reel packaging options, ready to facilitate automated assembly processes to the PCB. The SMT placement feet provide the pickup areas on either side of the product. Pack size is 1,400 contacts per reel for 3.87mm body lengths, and 800 per reel for 5.87mm body lengths.

The sockets are oriented to sit with a minimal profile above the PCB, and the body through and below the board (although customers can also choose to locate the contact in an inverted position for use as a vertical SMT socket).

Sycamore Contact SMT PCB Socket

Mating pin variability **included**



Due to the open-ended style of the design, mating pins of over-long design can easily be accommodated, in either direction.

Sycamore Contact SMT PCB Socket

Electrical & Mechanical Specifications

Current Rating	6A max (3.87mm body length) 8A max (5.87mm body length)
Contact Resistance	15mΩ max
Durability (min. no. of mating cycles)	500

Component Specifications are given in more detail on individual Technical Drawings, available to download from the relevant product page.



Sycamore Contact SMT PCB Socket

Environmental Specifications

Temperature Range	-50°C to +125°C
Soldering Heat Resistance	260°C for 10 seconds

The use of the Beryllium Copper material gives the PCB sockets similar High-Reliability performance as the Gecko, Datamate and M300 products.



Sycamore Contact SMT PCB Socket

Markets



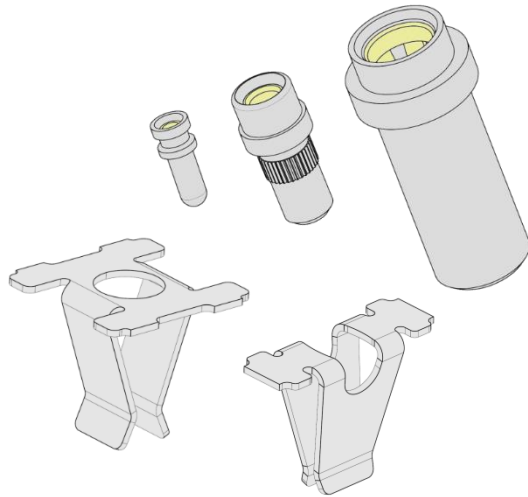
The requirement for single connections or high-reliability odd-form modules can appear in any application, and the Sycamore Contact range from Harwin has the variety required to meet these needs.

- Fire and Security
- Gas Detection
- Home Automation
- Modular Systems
- Handheld Equipment

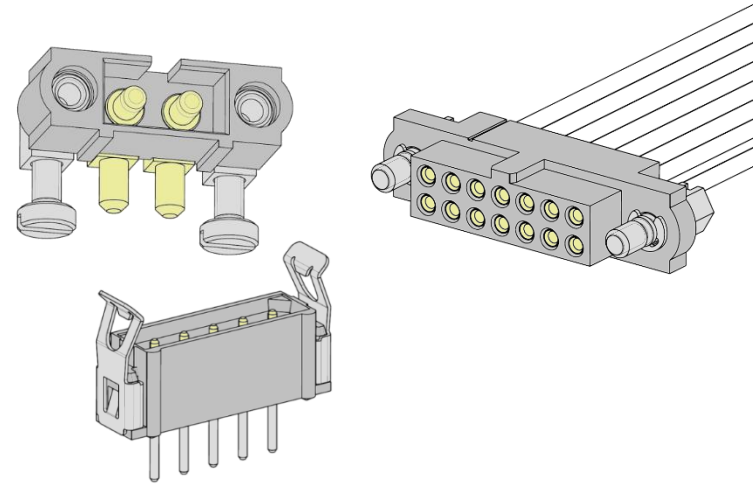


If you like this product, try...

PCB Sockets



Datamate - 2.00mm Pitch



- Two-piece turned shell PCB sockets and other SMT sockets
- Accepts mating pin sizes $\varnothing 0.5$ to 1.8mm
- Low-profile and open-ended options
- Single connection designs for odd-form components
- Stocked in depth across the Harwin distribution network

- 3A per signal, up to 40A per power contact
- Jackscrew or latching system for strain relief
- Resists Vibration to 10G and Shock to 100G
- Temperature range -55°C to $+125^{\circ}\text{C}$
- PCB connectors in Throughboard or SMT, Cable options

Get Help from a Harwin Expert

Our experts are specialists in their field with many years of experience in their respective roles and industries.

Find an expert that can help you with your enquiry.

Click Here >>

CAD Models and Evaluation Samples also available at www.harwin.com

