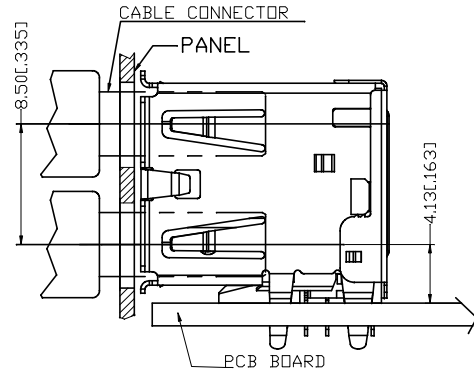
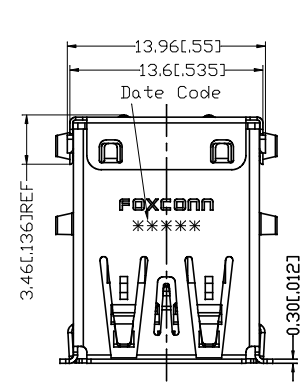
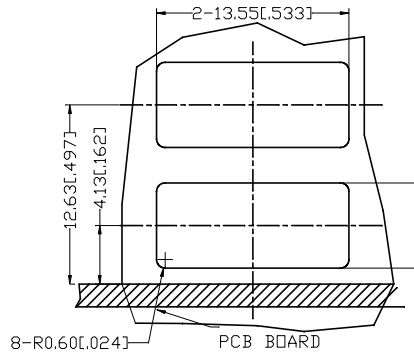


IDEAS GENERATED DRAWING, DON'T CHANGE BY HAND.

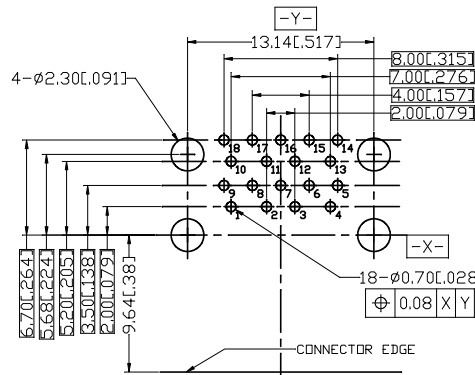
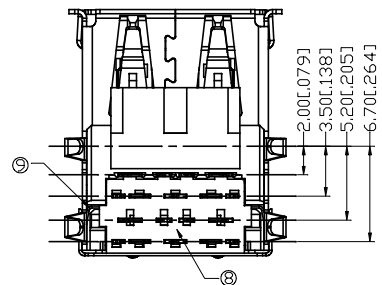
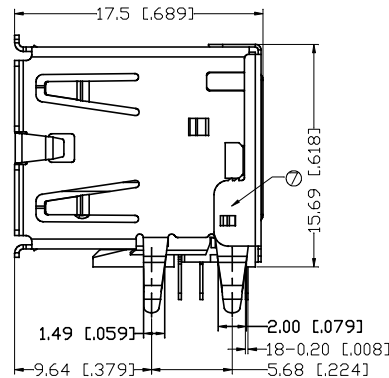
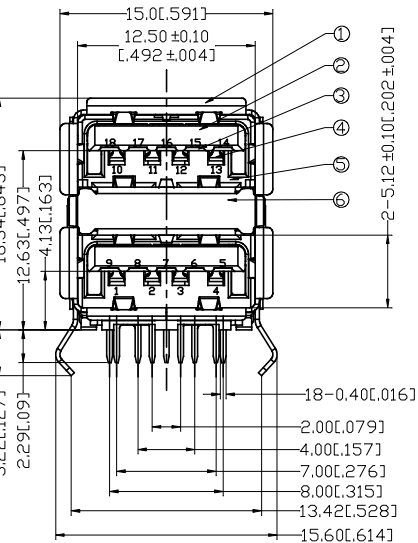
REV.	ECN. NO.	APPD.
A	BC-15-0014795	ADWARD ZHENG
B	BC-17-0031103	LIANG GONG



PRECESSED MOUNTING CONFIGURATION



MOUNTING PANEL CUT OUT (INTERNAL SIDE)



RECOMMENDED P.C.B LAYOUT (COMPONENT SIDE)

T=1.6±0.05[0.063±0.02]mm, DEFAULT TOLERANCE: ±0.05[.002]

PRODUCT NO.: UAA 1 1 1 C - 84161 - 4 H  
 Series Prefix: UAA: USB 3.1 A TYPE  
 Termination Type: 1 = Right Angle 1/H  
 Connector Type: 1: Female  
 No. of Contact Position: 1: 18 Pos.  
 Halogen Free Code: H: Halogen Free  
 Package Code: 4: Soft Tray Package  
 Extension Code  
 Contact Area Plating: C: Gold Flash+30u" Pd/Ni Min

NOTES:

- ELECTRICAL CHARACTERISTICS :
  - CONTACT CURRENT RATING: 1.8 A FOR VBUS PIN AND ITS CORRESPONDING GND PIN. 0.25 A MIN FOR ALL OTHER CONTACTS.
  - CONTACT RESISTANCE: INITIAL 30 MILLIOHMS MAX FOR VBUS AND GND CONTACTS. INITIAL 50 MILLIOHMS MAX FOR ALL OTHER CONTACTS. AFTER DURABILITY 10 MILLIOHMS MAX CHANGE.
  - DIELECTRIC WITHSTANDING VOLTAGE : 100 VRMS AC MIN.
  - INSULATION RESISTANCE: 100 MEGOHMS MIN.
- MECHANICAL CHARACTERISTICS:
  - CONNECTOR MATING FORCE: 35N MAX.
  - CONNECTOR UNMATING FORCE: 10N MIN INITIAL, 8N MIN AFTER DURABILITY.
  - DURABILITY: 5000 CYCLES.
  - OPERATING TEMPERATURE: -55° C TO +85° C
- RECOMMENDED PROCESS: WAVE SOLDER 270° C, 6SECONDS.
- THE CONNECTOR IS ROHS COMPLIANT.
- RECOMMENDED PCB THICKNESS: 1.60±0.05[.063±.002]mm

PIN ASSIGNMENT:

Pin No.	1	2	3	4	5	6	7	8	9
Pin No.	10	11	12	13	14	15	16	17	18
Signal Name	VBUS	D-	D+	GND	STDA_SSRX-	STDA_SSRX+	GND_DRAIN	STDA_SSTX-	STDA_SSTX+
Remark	USB2 Contact Pin				USB3 Contact Pin				
9	GROUND	1	STAINLESS STEEL	CLEAN					
8	SPACER	1	PA66+30%GF	MOLDED COLOR: BLACK GF30% UL 94V-0					
7	REAR SHELL	1	STAINLESS STEEL	CLEAN					
6	FINGER	1	STAINLESS STEEL	CLEAN					
5	FRAME	1	PA66+30%GF	MOLDED COLOR: BLACK GF30% UL 94V-0					
4	USB2 CONTACT	8	COPPER ALLOY	GOLD FLASH OVER 30u" PD/NI AT CONTACT AREA, LEAD FREE TIN ALLOY AT TERMINATION, NICKER					
3	USB3 CONTACT	10	COPPER ALLOY	UNDERPLATING OVER ALL					
2	INNER INSULATOR	1	PA66+30%GF	MOLDED COLOR:BLUE(PANTONE:300C)					
1	FRONT SHELL	1	STAINLESS STEEL	LEAD FREE TIN ALLOY AT KINK OVER NICKEL PLATED .					
NO.	DESCRIPTION	QTY.	MATERIAL	TREATMENT					

X. ±	X'. ±	UNITS	mm[Inch]	NAME (INTENDED USE)	<b>FOXCONN®</b> FOXCONN INTERCONNECT TECHNOLOGY LIMITED
.X ± 0.38[.010]	.X' ±	MAT'L	N/A	CUSTOMER	
.XX ± 0.25[.010]	.XX ±	FINISH	N/A	PART NO.(INTENDED USE)	CLASS: <input type="checkbox"/> CONFIDENTIAL <input type="checkbox"/> SECRET <input checked="" type="checkbox"/> GENERAL
.XXX ±	.XXX ±	Q'TY	N/A	UAA111C-84161-4H	TITLE: DUAL USB 3.1 A TYPE
THESE DRAWINGS AND SPECIFICATIONS ARE THE PROPERTY OF FOXCONN INTERCONNECT TECHNOLOGY LIMITED, AND SHALL NOT BE REPRODUCED COPIED OR USED IN ANY MANNER WITHOUT THE PRIOR WRITTEN CONSENT OF FOXCONN INTERCONNECT TECHNOLOGY LIMITED.				APPD: Dean Zhang 10/19/17	DWG NO: 327-0000-3119
				CHKD: Eric Du 10/19/17	SCALE: N/A
				DR: Deming Xu 10/19/17	SHEET: 1/1
					REV: B