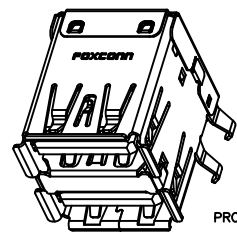
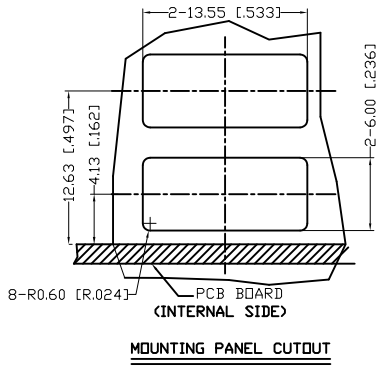
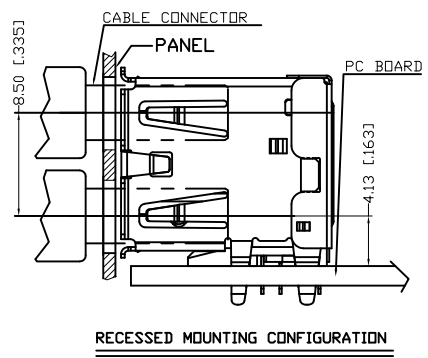
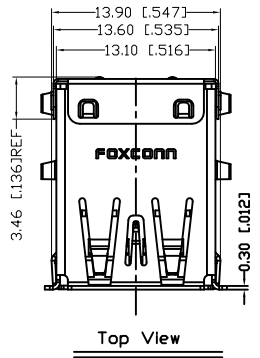


REV.	ECN. NO.	APPD.
A	BC-11-0117786	ADWARD ZHENG
B	BC-14-0077401	ADWARD ZHENG
C	BC-16-0015433	ADWARD ZHENG
D	BC-18-0010959	Davy Bu
DX1	20190702	Davy Bu



PRODUCT NO.: UEA 1 1 2 C - 8FS6 - 4 F

Series Prefix
UEA: USB 3.0 A TYPE

Termination Type
1: Right Angle Type

Connector Type
1: Female

No. of Contact Position
1: 9 Pos.

Profile Height
2: 4.13 mm

Lead Free Code
F: Lead Free

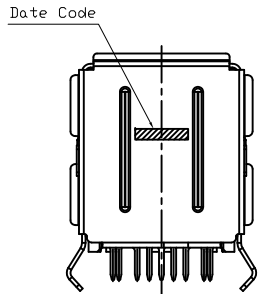
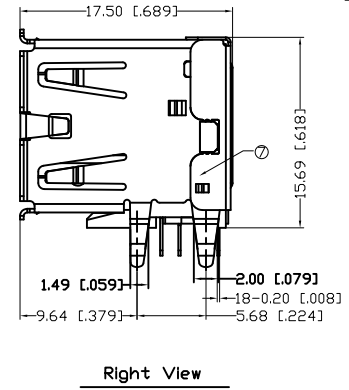
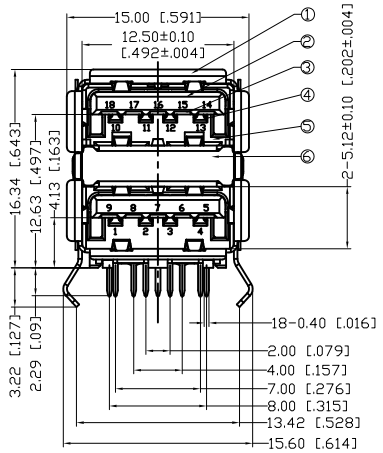
Package Code
4: Soft Tray Package

Extension Code

Contact Area Plating
C: 30u" Pd/Ni Plating+ Gold Flash

NOTES:

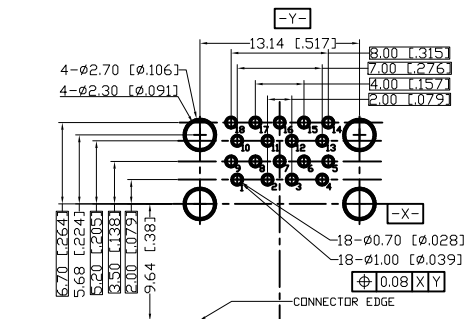
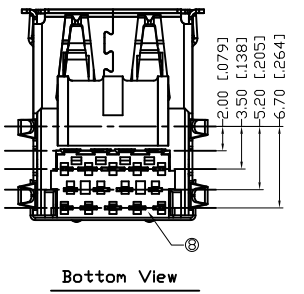
- ELECTRICAL CHARACTERISTICS :
 - CONTACT CURRENT RATING:
 - 1.8 A FOR VBUS PIN AND ITS CORRESPONDING GND PIN.
 - 0.25 A MIN FOR ALL OTHER CONTACTS.
 - CONTACT RESISTANCE:
 - INITIAL 30 MILLIOHMS MAX FOR VBUS AND GND CONTACTS.
 - INITIAL 50 MILLIOHMS MAX FOR ALL OTHER CONTACTS.
 - AFTER DURABILITY 10 MILLIOHMS MAX CHANGE.
 - DIELECTRIC WITHSTANDING VOLTAGE : 100 VRMS AC MIN.
 - INSULATION RESISTANCE: 100 MEGOHMS MIN.
- MECHANICAL CHARACTERISTICS:
 - CONNECTOR MATING FORCE: 35N MAX.
 - CONNECTOR UNMATING FORCE: 10N MIN INITIAL, 8N MIN AFTER DURABILITY.
 - DURABILITY: 5000 CYCLES.
 - OPERATING TEMPERATURE: -55°C TO +85°C
- DIMENSIONS ARE IN MILLIMETERS, BRACKETED DIMENSIONS ARE INCHES EQUIVALENTS.
- RECOMMENDED PROCESS: WAVE SOLDER 260°C, 3~5SECONDS.
- THE CONNECTOR IS ROHS COMPLIANT.



PIN ASSIGNMENT:

Pin No.	1	2	3	4	5	6	7	8	9
Pin No.	10	11	12	13	14	15	16	17	18
Signal Name	VBUS	D-	D+	GND	STDA_SSRX-	STDA_SSRX+	GND_DRAIN	STDA_SSTX-	STDA_SSTX+

Remark	USB2.0 Contact Pin		USB3.0 Contact Pin	
8 SPACER	1	PA66	MOLDED COLOR:BLUE(PANTONE:300C)	
7 REAR SHELL	1	STAINLESS STEEL	CLEAN	
6 FINGER	1	STAINLESS STEEL	CLEAN	
5 FRAME	1	PA66	MOLDED COLOR:BLUE(PANTONE:300C)	
4 USB2.0 CONTACT	8	COPPER ALLOY	GOLD FLASH OVER 30u" PALLADIUM/NICKEL AT CONTACT AREA, LEAD FREE TIN ALLOY AT TERMINATION, NICKEL UNDERPLATING OVER ALL	
3 USB3.0 CONTACT	10	COPPER ALLOY	UNDERPLATING OVER ALL	
2 I/M	2	PBT	MOLDED COLOR:BLUE(PANTONE:300C)	
1 FRONT SHELL	1	STAINLESS STEEL	NICKEL PLATED OVER ALL, KINK WITH LEAD FREE TIN ALLOY	



T=1.6±0.05(0.063±0.02)mm, DEFAULT TOLERANCE: ±0.05[0.002]

NO.	DESCRIPTION	QTY.	MATERIAL	TREATMENT
X. ±	X*. ±	UNITS	mm[inch]	NAME(INTENDED USE)
.X ± 0.38[.015]	.X* ±	MAT'L	N/A	CUSTOMER
.XX ± 0.25[.010]	.XX* ±	FINISH	N/A	PART NO.(INTENDED USE)
.XXX±	.XXX*±	Q'TY	N/A	APPD: Davy Bu 7/2'19
THESE DRAWINGS AND SPECIFICATIONS ARE THE PROPERTY OF FOXCONN INTERCONNECT TECHNOLOGY LIMITED, AND SHALL NOT BE REPRODUCED COPIED OR USED IN ANY MANNER WITHOUT THE PRIOR WRITTEN CONSENT OF FOXCONN INTERCONNECT TECHNOLOGY LIMITED.				CLASS: <input type="checkbox"/> CONFIDENTIAL <input type="checkbox"/> SECRET <input checked="" type="checkbox"/> GENERAL
				TITLE: DOUBLE SHORT USB 3.0 A TYPE
				CHKD: Cheery Chen 7/2'19
				DR: Tony Xu 7/2'19
				DWG NO: 327-0000-2464
				SCALE SHEET REV. N/A 1/1 DX1