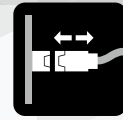
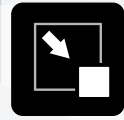


HR10 Series

High Performance Miniature Circular Connectors



Push On



Compact



Wide Variation



Oct.1.2023 Copyright 2023 HIROSE ELECTRIC CO., LTD. All Rights Reserved.



Features

1. A Simple, Yet Highly Reliable Design for Compact, High Density Applications

Although small in size, the HR10 series are full featured connectors with a well integrated design.

2. Extremely Easy Mating/ Unmating Operations

Easy to operate, the single-action push-pull lock structure allows for quick and efficient locking and unlocking.

3. Compatible Variations

HR10A : Cable clamps are crimped using a special crimping tool, and the shells have a rubber boot which provides a flexible design that helps to prevent cable twisting.

HR10G : It has as an internal contacting structure between the plug shell and receptacle shell.

Note : The standard contacts plating specifications for HR10 and HR10A, HR10G are different.

Please be sure to confirm the plating specification when using HR10 with HR10A or HR10G.

(HR10 : Gold plating, HR10A, HR10G : Silver plating)

Product Specifications

Rated Current	2A			Operating Temperature (Note)	-25 to +85°C
Rated Voltage	Shell Size	No. of Pos.	Rated Voltage	Storage Temperature	-10 to +60°C
	7	4 5 6	150V AC, 200V DC 100V AC, 140V DC 100V AC, 140V DC		
	10	10 12	100V AC, 140V DC		
	13	20	100V AC, 140V DC		

Items	Specifications	Conditions
Contact Resistance	10mΩ Max.	Measured at 1A DC
Insulation Resistance	1,000MΩ Min.	Measured at 100V DC
Withstanding Voltage	No flashover or insulation breakdown	300V AC for one min. 4pos. : 500V AC for one min.
Vibration Resistance	No electrical discontinuity of 10 μs or more.	10 to 55Hz/cycle, amplitude 0.75mm, 2 hours each in 3 axis directions
Shock Resistance	No electrical discontinuity of 10 μs or more.	Acceleration 490m/s ² , duration 11ms, 3 times each in 3 axis directions
Mating Durability	Contact Resistance : 15mΩ Max.	1,000 times
Temperature Cycles	Insulation Resistance : 1.000MΩ Min.	Temperature : -55°C → Room temperature → +85°C → Room temperature Time : 30 → 10 to 15 → 30 → 10 to 15minutes. Repeated for 5 cycles.
Humidity Resistance	Insulation Resistance : 5MΩ Min. (High Humidity) 50MΩ Min. (Dry)	Temperature : 40°C , relative humidity : 90 to 95%, left for 96 hours

Note : Includes temperature rise caused by current flow

Materials / Finish

Component	Materials	Color / Finish
Exterior	Zinc Alloy, Brass	Matte Finished Nickel Plating
Insulator	Polyamide, PBT	Blue, Black
Contact	Copper Alloy	HR10 : Gold Plating HR10A, HR10G : Silver Plating

Product Number Structure

Refer to the chart below when determining the product specifications from the product number.
Please select from the product numbers listed in this catalog when placing orders.

■ Connector

HR10A - 10 T P - 12 P C (##)

① ② ③ ④ ⑤ ⑥ ⑦ ⑧

① Series Name	HR10A : Lower Cost Type HR10G : Shield Type	⑤ No. of Pos.	4, 5, 6, 10, 12, 20
② Shell Size	7, 10, 13	⑥ Contact Gender	P : Male Contact S : Female Contact
③ Lock Mechanism	None : Push-pull Lock T : Threaded Coupling	⑦ Contact Assembly	None : Solder Termination A, B : Dip Type C : Crimp Termination
④ Shell Type	P : Plug R : Receptacle J : Jack	⑧ Other Specifications	A two-digit character is added to indicate other specifications as needed.

■ Crimp Contact

HR10 - P C - 1 1 2

① ② ③ ④ ⑤ ⑥

HR12 - S C - 1 1 2

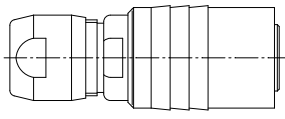
① ② ③ ④ ⑤ ⑥

① Series Name	HR10 HR12	④ Contact Type	1 : Loose Contacts 2 : Reel Contacts
② Contact Gender	P : Male Contact S : Female Contact	⑤ Design	1 : If the design of contacts of the same size differs, 1, 2, 3 etc. are added to distinguish them
③ Contact Assembly	C : Crimp Termination	⑥ Contact Area Plating	2 : Silver plating

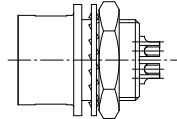
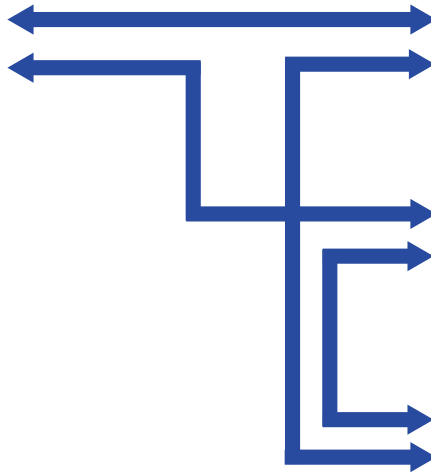
Note : Female Contact is the common contact with HR 12 Series.

Connector Mating Combinations Diagram

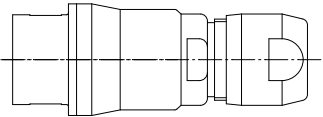
【HR10】



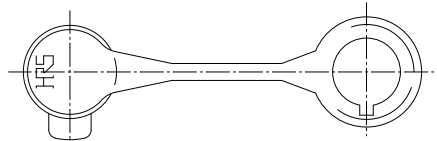
HR10 Type Plug



HR10 Type Receptacle

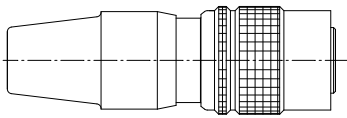


HR10 Type Jack

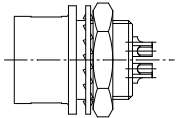
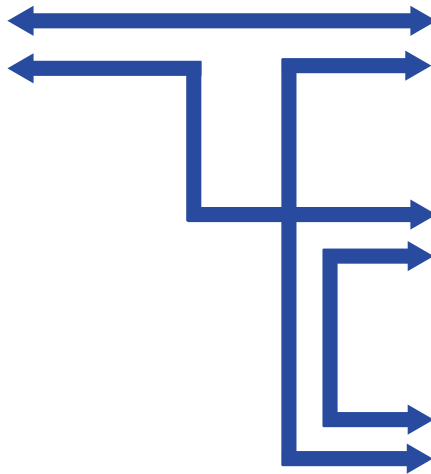


Dust Cap

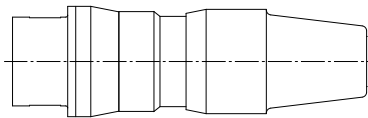
【HR10A/HR10G】



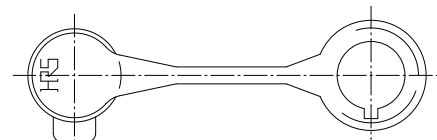
HR10A Type Plug



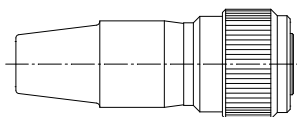
HR10A Type Receptacle



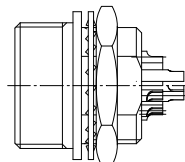
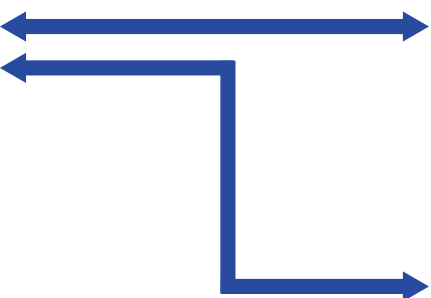
HR10A Type Jack



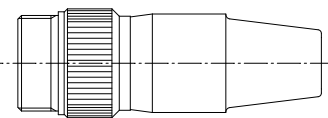
Dust Cap



HR10A-##T Type Plug



HR10A-##T Type Receptacle



HR10A-##T Type Jack

Note 1 : When using a plug with male terminal, be sure to use a receptacle or jack fitted with female terminal.

Note 2 : Standard finish of the terminal is gold plating for the HR10, and silver plating for the HR10A and HR10G. Be sure to use male and female connectors of the same plating.

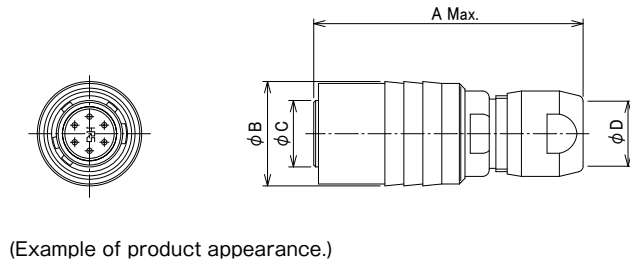
Note 3 : Be sure to use plugs, receptacles and jacks in combination with the same shell size and No. of pos..

HR10 Type

Plug (Solder Type)



HR10-7P-6S(73)



Unit : mm

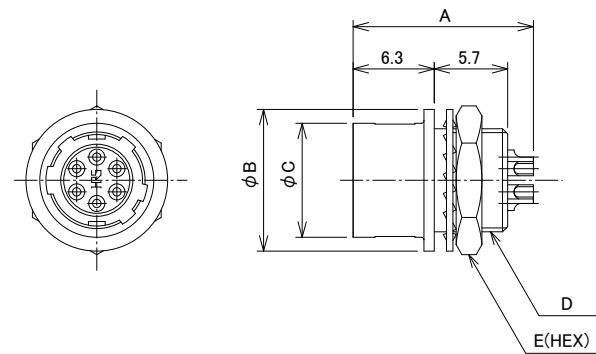
Part No.	HRS No.	No. of Pos.	A	φ B	φ C	φ D	Purchase Unit
HR10-7P-4P(73)	CL0110-0021-6-73	4	28.5	11.0	7.0	5.2	20pcs per bag
HR10-7P-4S(73)	CL0110-0022-9-73						
HR10-7P-6P(73)	CL0110-0023-1-73	6	28.5	11.0	7.0	5.2	
HR10-7P-6S(73)	CL0110-0024-4-73						
HR10-10P-12P(73)	CL0110-0025-7-73	12	32.5	14.0	9.5	7.2	
HR10-10P-12S(73)	CL0110-0026-0-73						

Note : Standard finish of the terminal is gold plating.

Receptacle (Solder Type)



HR10-7R-6S(73)

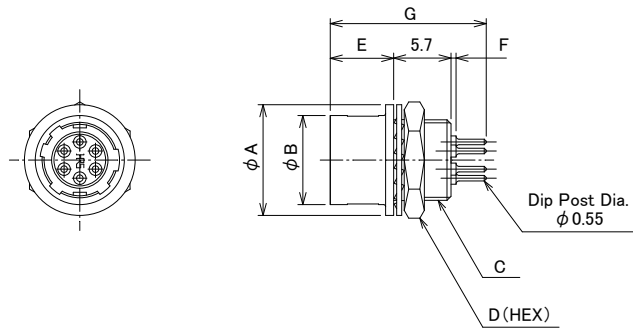


Unit : mm

Part No.	HRS No.	No. of Pos.	A	φ B	φ C	D	E	Purchase Unit
HR10-7R-4P(73)	CL0110-0031-0-73	4	14.0	11.0	8.85	M8 × 0.5	10.0	20pcs per bag
HR10-7R-4S(73)	CL0110-0032-2-73							
HR10-7R-6P(73)	CL0110-0033-5-73	6	14.0	11.0	8.85	M8 × 0.5	10.0	
HR10-7R-6S(73)	CL0110-0034-8-73							
HR10-10R-12P(73)	CL0110-0035-0-73	12	16.0	14.0	11.9	M11 × 0.75	13.0	
HR10-10R-12S(73)	CL0110-0036-3-73							

Note : Standard finish of the terminal is gold plating.

Receptacle (Dip Type)



(Example of product appearance.)

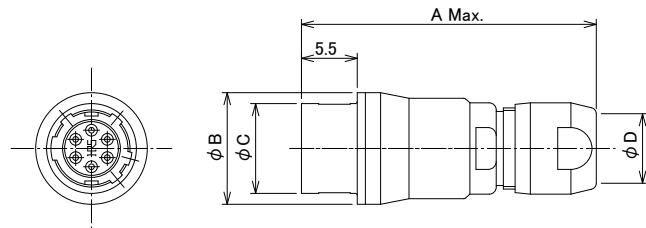
HR10-7R-6SA(73)

Unit : mm

Part No.	HRS No.	No. of Pos.	A	φ B	C	D	E	F	G	Purchase Unit
HR10-7R-4SA(73)	CL0110-0059-9-73	4	11.0	8.85	M8 × 0.5	10.0	6.3	0.5	15.5	50pcs per tray
HR10-7R-6SA(73)	CL0110-0050-4-73	6								
HR10-7R-6PA(73)	CL0110-0061-0-73									
HR10-10R-12SA(73)	CL0110-0049-5-73	12	14.0	11.9	M11 × 0.75	13.0				
HR10-10R-12PA(73)	CL0110-0055-8-73									

Note : Standard finish of the terminal is gold plating.

Jack (Solder Type)



(Example of product appearance.)

HR10-7J-6S(73)

Unit : mm

Part No.	HRS No.	No. of Pos.	A	φ B	φ C	D	Purchase Unit
HR10-7J-4S(73)	CL0110-0027-2-73	4	28.5	11.0	8.85	5.2	20pcs per bag
HR10-7J-4P(73)	CL0110-0028-5-73						
HR10-7J-6S(73)	CL0110-0029-8-73	6					
HR10-7J-6P(73)	CL0110-0030-7-73						
HR10-10J-12S(73)	CL0110-0037-6-73	12					
HR10-10J-12P(73)	CL0110-0038-9-73						

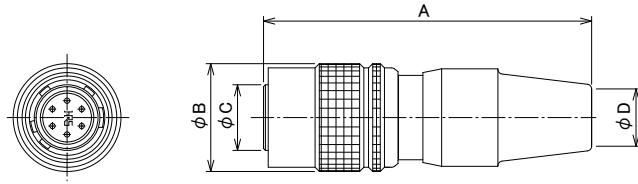
Note : Standard finish of the terminal is gold plating.

HR10A/10G Type

Plug (Solder Type)



HR10A-7P-6P(73)



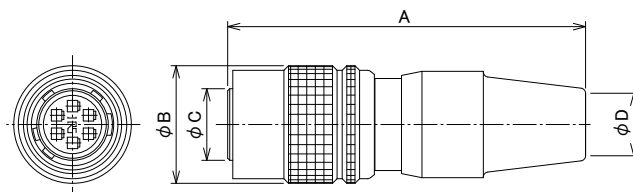
(Example of product appearance.)

Unit : mm

Part No.	HRS No.	No. of Pos.	A	φ B	φ C	φ D	Purchase Unit
HR10A-7P-4P(73)	CL0110-0301-2-73	4	35.0	11.5	7.0	5.0	20pcs per bag
HR10A-7P-4S(73)	CL0110-0302-5-73						
HR10A-7P-5P(73)	CL0110-0318-5-73	5					
HR10A-7P-5S(73)	CL0110-0319-8-73						
HR10A-7P-6P(73)	CL0110-0303-8-73	6					
HR10A-7P-6S(73)	CL0110-0304-0-73						
HR10A-10P-10P(73)	CL0110-0407-3-73	10	43.0	14.7	9.5	7.0	
HR10A-10P-10S(73)	CL0110-0408-6-73						
HR10A-10P-12P(73)	CL0110-0401-7-73	12					
HR10A-10P-12S(73)	CL0110-0402-0-73						
HR10A-13P-20P(73)	CL0110-0713-0-73	20	59.0	19.0	13.0		
HR10A-13P-20S(73)	CL0110-0716-8-73						

Note : Standard finish of the terminal is silver plating. Please contact Hirose for gold plating.

Plug (Crimp Type)



(Example of product appearance.)

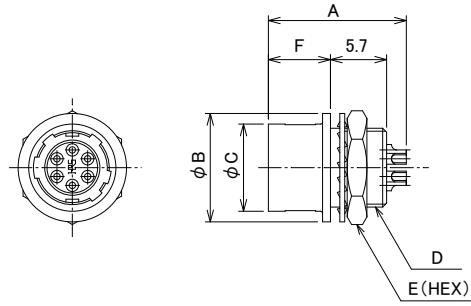
HR10A-7P-6PC(73)

Unit : mm

Part No.	HRS No.	No. of Pos.	A	φ B	φ C	φ D	Purchase Unit
HR10A-7P-4PC(73)	CL0110-0501-1-73	4	35.0	11.5	7.0	5.0	20pcs per bag
HR10A-7P-4SC(73)	CL0110-0502-4-73						
HR10A-7P-6PC(73)	CL0110-0503-7-73	6					
HR10A-7P-6SC(73)	CL0110-0504-0-73						
HR10A-10P-10PC(73)	CL0110-0601-6-73	10	43.0	14.7	9.5		
HR10A-10P-10SC(73)	CL0110-0602-9-73						
HR10A-10P-12PC(73)	CL0110-0603-1-73	12					
HR10A-10P-12SC(73)	CL0110-0604-4-73						
HR10A-13P-20PC(73)	CL0110-0701-0-73	20	59.0	19.0	13.0		
HR10A-13P-20SC(73)	CL0110-0702-3-73						

Note : Use with the crimp contact (HR10-PC-#12, HR12-SC-#12), sold separately.

Receptacle (Solder Type)



(Example of product appearance.)

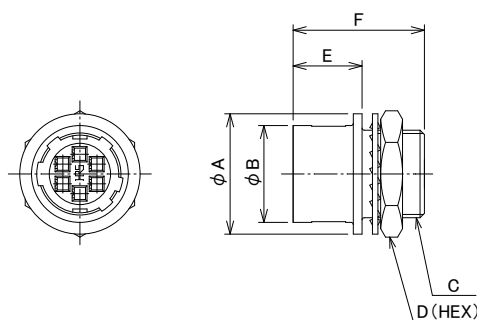
HR10A-7R-6S(73)

Unit : mm

Part No.	HRS No.	No. of Pos.	A	φ B	φ C	D	E	F	Purchase Unit				
HR10A-7R-4S(73)	CL0110-0305-3-73	4	14.0	11.0	8.85	M8 × 0.5	10.0	6.3	20pcs per bag				
HR10A-7R-4P(73)	CL0110-0306-6-73												
HR10A-7R-5S(73)	CL0110-0320-7-73	5											
HR10A-7R-5P(73)	CL0110-0321-0-73												
HR10A-7R-6S(73)	CL0110-0307-9-73	6											
HR10A-7R-6P(73)	CL0110-0308-1-73												
HR10A-10R-10S(71)	CL0110-0409-9-71	10	16.0	14.0	11.9	M11 × 0.75	13.0						
HR10A-10R-10P(73)	CL0110-0410-8-73												
HR10A-10R-12S(71)	CL0110-0403-2-71	12											
HR10A-10R-12P(73)	CL0110-0404-5-73												
HR10A-13R-20S(73)	CL0110-0714-2-73	20	19.2	18.0	15.4	M14 × 0.75	17.0	9.3					
HR10A-13R-20P(73)	CL0110-0715-5-73		20.2										
HR10G-7R-4S(73)	CL0110-1601-1-73	4	14.0	11.0	8.85	M8 × 0.5	10.0	6.3					
HR10G-7R-4P(73)	CL0110-1602-4-73												
HR10G-7R-6S(73)	CL0110-1605-2-73	6											
HR10G-7R-6P(73)	CL0110-1606-5-73												
HR10G-10R-10S(71)	CL0110-1607-8-71	10							16.0	14.0	11.9	M11 × 0.75	13.0
HR10G-10R-10P(73)	CL0110-1608-0-73												
HR10G-10R-12S(71)	CL0110-1609-3-71	12											
HR10G-10R-12P(73)	CL0110-1610-2-73												

Note : Standard finish of the terminal is silver plating. Please contact Hirose for gold plating.

Receptacle (Crimp Type)



(Example of product appearance.)

HR10G-10R-12SC(71)

Unit : mm

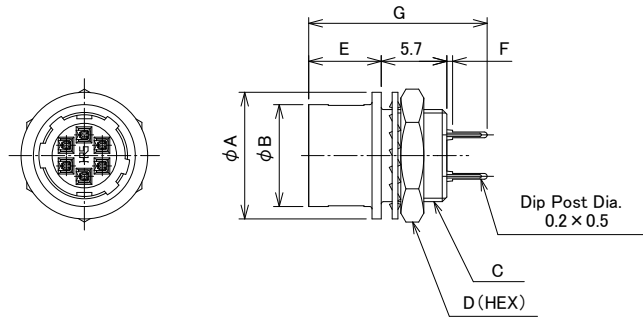
Part No.	HRS No.	No. of Pos.	A	φ B	C	D	E	F	Purchase Unit					
HR10A-7R-4SC(73)	CL0110-0506-5-73	4	11.0	8.85	M8 × 0.5	10.0	6.3	12.0	20pcs per bag					
HR10A-7R-4PC(73)	CL0110-0505-2-73							12.2						
HR10A-7R-6SC(73)	CL0110-0508-0-73	6						12.0						
HR10A-7R-6PC(73)	CL0110-0507-8-73							12.2						
HR10A-10R-10SC(71)	CL0110-0606-0-71	10						14.0		11.9	M11 × 0.75	13.0	12.0	
HR10A-10R-10PC(71)	CL0110-0605-7-71												12.2	
HR10A-10R-12SC(71)	CL0110-0608-5-71	12	12.0											
HR10A-10R-12PC(71)	CL0110-0607-2-71		12.2											
HR10A-13R-20SC(73)	CL0110-0703-6-73	20	18.0	15.4	M14 × 0.75	17.0	9.3						15.0	
HR10A-13R-20PC(73)	CL0110-0704-9-73						15.0							
HR10G-7R-4SC(73)	CL0110-1701-6-73	4					11.0	8.85		M8 × 0.5	10.0	6.3	12.0	
HR10G-7R-4PC(73)	CL0110-1702-9-73												12.2	
HR10G-7R-6SC(73)	CL0110-1705-7-73	6											12.0	
HR10G-7R-6PC(73)	CL0110-1706-0-73												12.2	
HR10G-10R-10SC(71)	CL0110-1707-2-71	10	14.0	11.9	M11 × 0.75	13.0							6.3	12.0
HR10G-10R-10PC(71)	CL0110-1708-5-71													12.2
HR10G-10R-12SC(71)	CL0110-1709-8-71	12					12.0							
HR10G-10R-12PC(71)	CL0110-1710-7-71						12.2							
HR10G-13R-20SC(73)	CL0110-1711-0-73	20					18.0	15.4		M14 × 0.75	17.0	9.3		15.0
HR10G-13R-20PC(73)	CL0110-1712-2-73													

Note : Use with the crimp contact (HR10-PC-#12, HR12-SC-#12), sold separately.

Receptacle (Dip Type)



HR10A-7R-6SB(73)



(Example of product appearance.)

Unit : mm

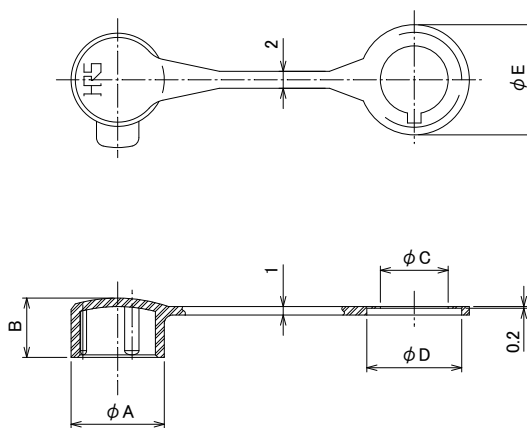
Part No.	HRS No.	No. of Pos.	ϕA	ϕB	C	D	E	F	G	Purchase Unit
HR10A-7R-4SB(73)	CL0110-0314-4-73	4	11.0	8.85	M8 × 0.5	10.0	6.3	0.5	15.6	60pcs per tray
HR10A-7R-4PB(73)	CL0110-0315-7-73									
HR10A-7R-5SB(73)	CL0110-0322-2-73	5	11.0	8.85	M8 × 0.5	10.0	6.3	0.5	15.6	
HR10A-7R-6SB(73)	CL0110-0316-0-73	6								
HR10A-7R-6PB(73)	CL0110-0317-2-73			14.0	11.9	M11 × 0.75	13.0	6.3	0.5	
HR10A-10R-10SB(71)	CL0110-0413-6-71	10								
HR10A-10R-10PB(71)	CL0110-0414-9-71			14.0	11.9	M11 × 0.75	13.0	6.3	0.5	
HR10A-10R-12SB(71)	CL0110-0415-1-71	12								
HR10A-10R-12PB(71)	CL0110-0416-4-71			18.0	15.4	M14 × 0.75	17.0	9.3	0	
HR10A-13R-20SB(73)	CL0110-0707-7-73	20								
HR10A-13R-20PB(73)	CL0110-0708-0-73			11.0	8.85	M8 × 0.5	10.0	6.3	0.5	15.6
HR10G-7R-4SB(73)	CL0110-1801-0-73	4								
HR10G-7R-4PB(73)	CL0110-1802-3-73			11.0	8.85	M8 × 0.5	10.0	6.3	0.5	15.6
HR10G-7R-6SB(73)	CL0110-1805-1-73	6								
HR10G-7R-6PB(73)	CL0110-1806-4-73			14.0	11.9	M11 × 0.75	13.0	6.3	0.5	15.6
HR10G-10R-10SB(71)	CL0110-1807-7-71	10								
HR10G-10R-10PB(71)	CL0110-1808-0-71			14.0	11.9	M11 × 0.75	13.0	6.3	0.5	15.6
HR10G-10R-12SB(71)	CL0110-1809-2-71	12								
HR10G-10R-12PB(71)	CL0110-1810-1-71			18.0	15.4	M14 × 0.75	17.0	9.3	0	17.8
HR10G-13R-20SB(73)	CL0110-1811-4-73	20								
HR10G-13R-20PB(73)	CL0110-1812-7-73									

Note : Standard finish of the terminal is silver plating. Please contact Hirose for gold plating.

Dust Cap (For Receptacle)



HR10-7R-C

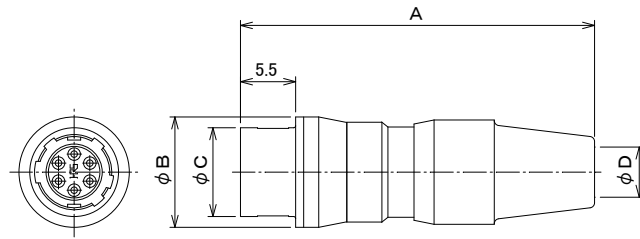


(Example of product appearance.)

Unit : mm

Part No.	HRS No.	ϕA	B	ϕC	ϕD	ϕE	Purchase Unit
HR10-7R-C	CL0110-0058-6-00	11.0	7.0	8.0	11.2	13.0	200pcs per bag
HR10-10R-C	CL0110-0052-0-00	14.0	8.5	10.8	14.1	15.0	
HR10A-13R-C	CL0110-0452-8-00	17.5	11.5	14.0	18.1	19.0	

Jack (Solder Type)



(Example of product appearance.)

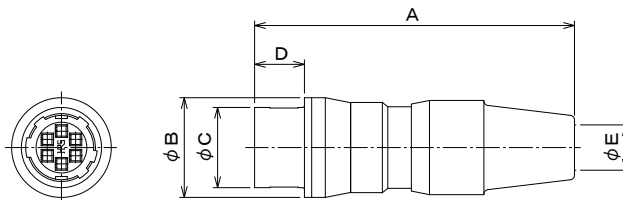
HR10A-7J-6S(73)

Unit : mm

Part No.	HRS No.	No. of Pos.	A	φ B	φ C	φ D	Purchase Unit				
HR10A-7J-4S(73)	CL0110-0309-4-73	4	35.3	11.0	8.85	5.0	20pcs per bag				
HR10A-7J-4P(73)	CL0110-0310-3-73										
HR10A-7J-6S(73)	CL0110-0311-6-73	6									
HR10A-7J-6P(73)	CL0110-0312-9-73										
HR10A-10J-10S(73)	CL0110-0411-0-73	10						43.5	14.0	11.9	7.0
HR10A-10J-10P(73)	CL0110-0412-3-73										
HR10A-10J-12S(73)	CL0110-0405-8-73	12									
HR10A-10J-12P(73)	CL0110-0406-0-73										

Note : Standard finish of the terminal is silver plating. Please contact Hirose for gold plating.

Jack (Crimp Type)



(Example of product appearance.)

HR10A-7J-6SC(73)

Unit : mm

Part No.	HRS No.	No. of Pos.	A	φ B	φ C	D	φ E	Purchase Unit
HR10A-7J-4SC(73)	CL0110-0510-2-73	4	35.3	11.0	8.85	5.5	5.0	20pcs per bag
HR10A-7J-6SC(73)	CL0110-0512-8-73	6						
HR10A-10J-10SC(73)	CL0110-0610-7-73	10	43.5	14.0	11.9			
HR10A-10J-12SC(73)	CL0110-0612-2-73	12						
HR10A-13J-20SC(73)	CL0110-0705-1-73	20	58.5	18.0	15.4	8.5	7.0	
HR10A-13J-20PC(73)	CL0110-0706-4-73							

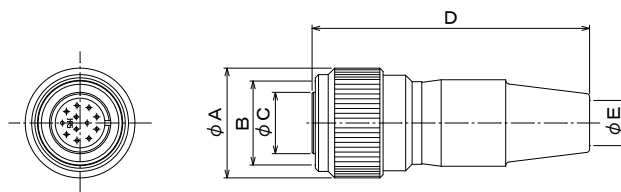
Note : Use with the crimp contact (HR10-PC-#12, HR12-SC-#12), sold separately.

HR10A-〔##〕T Type (Threaded Coupling Type)

Plug (Solder Type)



HR10A-10TP-12P(73)



(Example of product appearance.)

Unit : mm

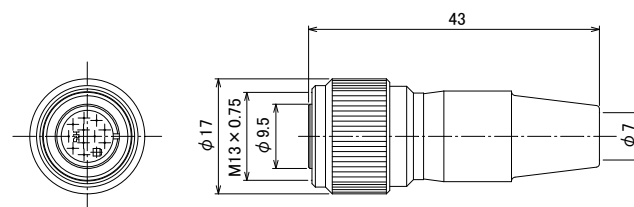
Part No.	HRS No.	No. of Pos.	φ A	B	φ C	D	φ E	Purchase Unit
HR10A-7TP-6P(73)	CL0110-0331-3-73	6	12	M10 × 0.75	7.0	35.0	5.0	20pcs per bag
HR10A-10TP-12P(73)	CL0110-0432-0-73	12	17.0	M13 × 0.75	9.5	43.0	7.0	
HR10A-10TPA-12S(73)	CL0110-0446-5-73							
HR10A-13TPD-20P(73)	CL0110-1015-9-73	20	20.0	M17 × 1	13.0	56.5	7.0	

Note : Standard finish of the terminal is silver plating. Please contact Hirose for gold plating.

Plug (Crimp Type)



HR10A-10TP-12PC(73)

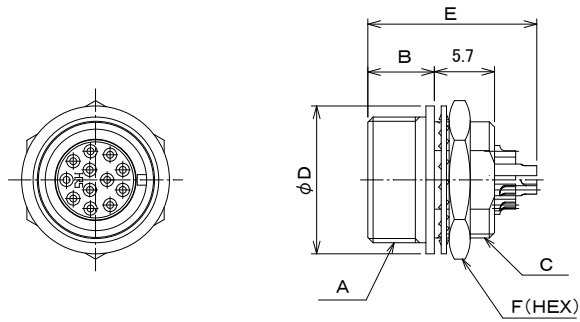


(Example of product appearance.)

Part No.	HRS No.	No. of Pos.	Purchase Unit
HR10A-10TP-12PC(73)	CL0110-0455-6-73	12	20pcs per bag

Note : Use with the crimp contact (HR10-PC-#12), sold separately.

Receptacle (Solder Type)



(Example of product appearance.)

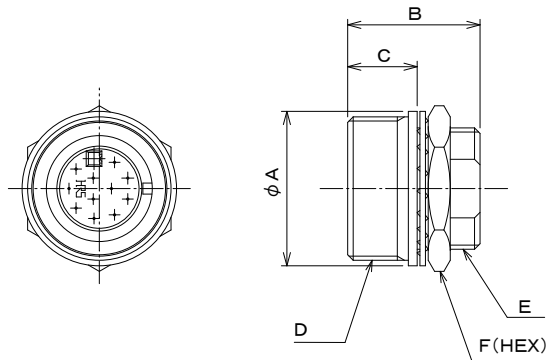
HR10A-10TR-12S(73)

Unit : mm

Part No.	HRS No.	No. of Pos.	A	B	C	ϕ D	E	F	Purchase Unit
HR10A-10TR-12S(73)	CL0110-0453-0-73	12	M13 × 0.75	6.3	M11 × 0.75	14.0	16.0	13.0	20pcs per bag

Note : Standard finish of the terminal is silver plating. Please contact Hirose for gold plating.

Receptacle (Crimp Type)



(Example of product appearance.)

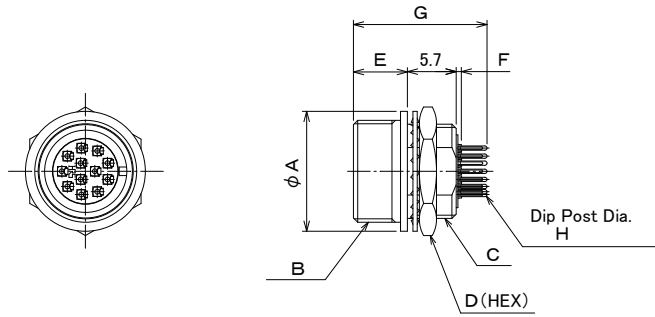
HR10A-10TR-12SC(73)

Unit : mm

Part No.	HRS No.	No. of Pos.	ϕ A	B	C	D	E	F	Purchase Unit
HR10A-10TR-12SC(73)	CL0110-0456-9-73	12	14.0	12.0	6.3	M13 × 0.75	M11 × 0.75	13.0	20pcs per bag
HR10A-13TR-20SC(73)	CL0110-1002-7-73	20	18.0	15.0	9.3	M17 × 1	M14 × 0.75	17.0	

Note : Use with the crimp contact (HR12-SC-#12), sold separately.

Receptacle (Dip Type)



(Example of product appearance.)

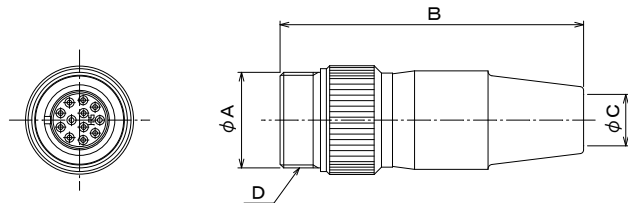
HR10A-10TR-12PB(73)

Unit : mm

Part No.	HRS No.	No. of Pos.	ϕA	B	C	D	E	F	G	H	Purchase Unit
HR10A-7TR-6SA(73)	CL0110-0330-0-73	6	11.0	M10×0.75	M8×0.5	10.0			15.5	$\phi 0.55$	50pcs per tray
HR10A-10TR-12SB(73)	CL0110-0433-3-73	12	14.0	M13×0.75	M11×0.75	13.0	6.3	0.5	15.6	0.2×0.5	60pcs per tray
HR10A-10TR-12PB(73)	CL0110-0457-1-73								15.5		
HR10A-13TR-20SB(73)	CL0110-1014-6-73	20	18.0	M17×1	M14×0.75	17.0	9.3	0	17.8		50pcs per tray

Note : Standard finish of the terminal is silver plating. Please contact Hirose for gold plating.

Jack (Solder Type)



(Example of product appearance.)

HR10A-10TJ-12S(73)

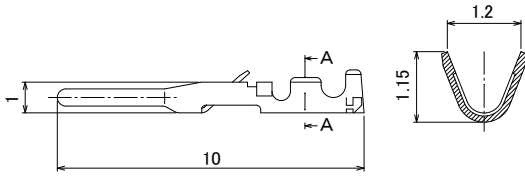
Unit : mm

Part No.	HRS No.	No. of Pos.	ϕA	B	ϕC	D	Purchase Unit
HR10A-10TJ-12S(73)	CL0110-0436-1-73	12	14.7	41.3	7.0	M13×0.75	20pcs per bag
HR10A-10TJ-12P(73)	CL0110-0459-7-73						

Note : Standard finish of the terminal is silver plating. Please contact Hirose for gold plating.

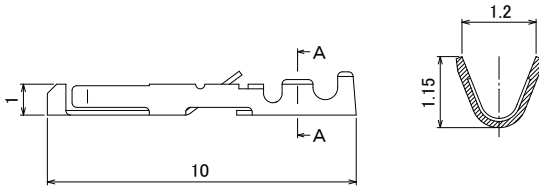
Crimp Contact

Male Contact



Type	Part No.	HRS No.	Finish	Applicable Wire	Purchase Unit
Loose Contact	HR10-PC-112	CL0112-0513-0-00	Silver Plating	26 to 30 AWG Outer Dia. ϕ 1 Max.	100pcs per bag
Reel Contact	HR10-PC-212	CL0112-0514-3-00			10,000pcs per reel

Female Contact

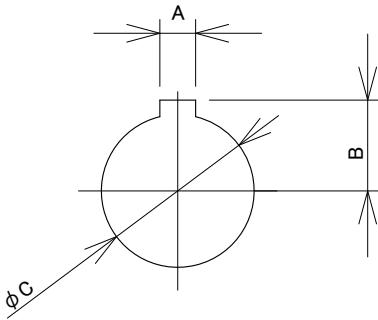


Type	Part No.	HRS No.	Finish	Applicable Wire	Purchase Unit
Loose Contact	HR12-SC-112	CL0112-0411-3-00	Silver Plating	26 to 30 AWG Outer Dia. ϕ 1 Max.	100pcs per bag
Reel Contact	HR12-SC-212	CL0112-0408-9-00			10,000pcs per reel

Panel Mount Dimensions

● Push-Pull Type

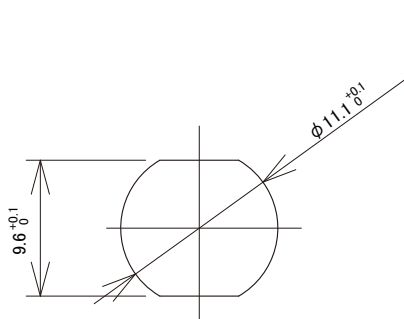
The mounting hole dimension shown below is tight by hexagon nut from back side.



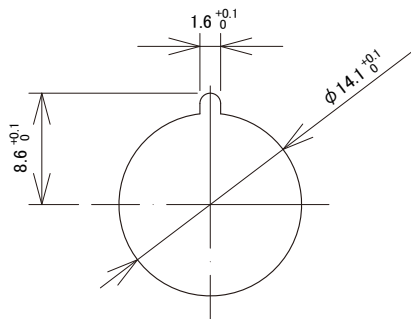
Map Mark	Shell Size	7 size	10 size	13 size
A		$1.6^{+0.1}_0$	$2.6^{+0.1}_0$	
B		$5.1^{+0.1}_0$	$6.6^{+0.1}_0$	$8.6^{+0.1}_0$
ϕC		$8.1^{+0.1}_0$	$11.1^{+0.1}_0$	$14.1^{+0.1}_0$
Panel Thickness		0.7 to 2		0.8 to 1.5

● Screw Coupling Type

The mounting hole dimension shown below is tight by hexagon nut from back side.
The dimensions below apply only to the HR10A-(##)T and not the 7TR.

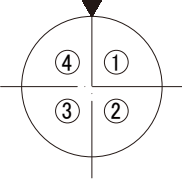
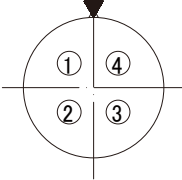
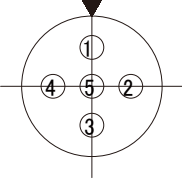
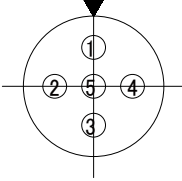
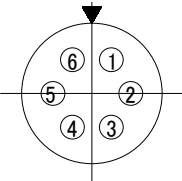
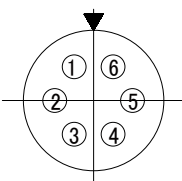
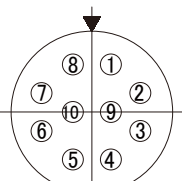
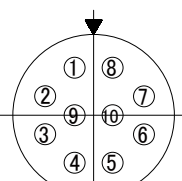
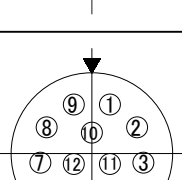
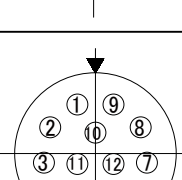
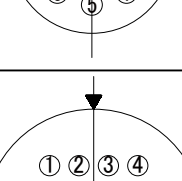
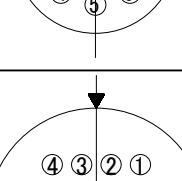


HR10A-10TR Type
(Panel thickness 1 to 2mm)



HR10A-13TR Type
(Panel thickness 1 to 1.5mm)

Contact Arrangement

Shell Size (Note 1)	No. of Pos.	Male Contact (Note 2)	Female Contact (Note 2)
7	4		
	5		
10	6		
	10		
	12		
13	20		

Note 1 : Please refer to "Product Number Structure" shell size.

Note 2 : Please refer to "Product Number Structure" contact gender.

Note 3 : The figure above shows the view from the cable connection or PCB mounting side.

Note 4 : The solder pot inside dia is $\phi 0.8$.

Note 5 : In the figure above, the mark ▼ indicates the position of the main mating guide.

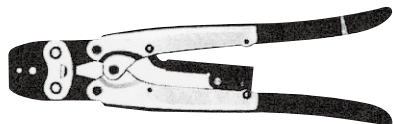
Applicable Tools



(HT802/HR12-SC-1)
Manual Crimping Tool



(HR12-SC-TP)



(HR10A-TC-02)
Hand Cable Crimp Tool
(The handle shape is an example.)



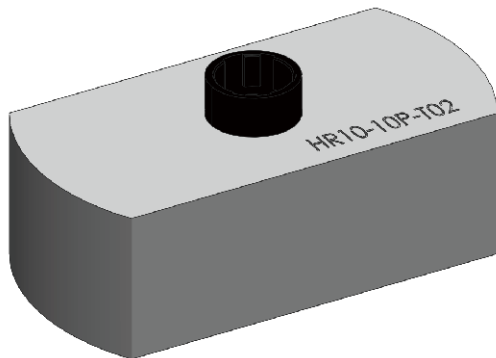
(RP6-SC-TP)
Extraction Tool



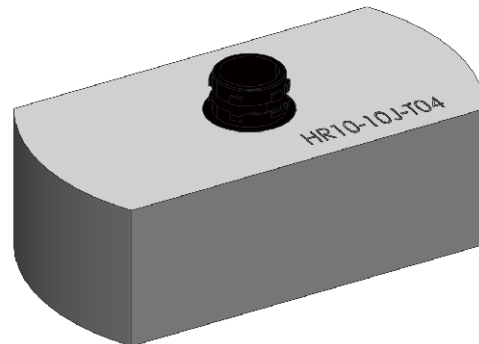
(CM-105C)
Automatic Crimping Machine

Type	Part No.	HRS No.	Applicable Contact	Applicable Cable
Manual Crimping Tool	HT802/HR12-SC-1	CL0150-0400-3-00	HR10-PC-112 HR12-SC-112	26 to 30 AWG Outer Dia. ϕ 1 Max.
Automatic Crimping Machine Body	CM-105C	CL0901-0001-0-00	-	-
Applicator	AP105-HR12-1	CL0901-2015-9-00	HR10-PC-212 HR12-SC-212	26 to 30 AWG Outer Dia. ϕ 1 Max.
Hand Cable Crimp Tool	HR10A-TC-02	CL0150-0041-2-00	-	ϕ 5, ϕ 7
Extraction Tool	HR12-SC-TP	CL0150-0050-3-00	HR12-SC-112 HR12-SC-212	-
	RP6-SC-TP	CL0150-0039-0-00	HR10-PC-112 HR10-PC-212	

Connecting Tools



HR10-10P-T02



HR10-10J-T04

Part No.	HRS No.	Applicable Connector
HR10-7P-T01	CL0150-0009-0-00	HR10-7P
HR10-10P-T02	CL0150-0010-9-00	HR10-10P
HR10-7J-T03	CL0150-0011-1-00	HR10-7J
HR10-10J-T04	CL0150-0012-4-00	HR10-10J
HR10-13P-T05	CL0150-0059-8-00	HR10-13P
HR10-13J-T06	CL0150-0060-7-00	HR10-13J

Precautions

1. Switch off the power of the circuit before disconnecting or plugging-in the connector.
2. Use a connector with socket contacts at the power side of the circuit.
3. Make sure that the coupling is in completely locked position.
4. Cable clamping, cable rotation, and other forces may vary with the cable construction. Please make sure that your cable is suitable for use with these connectors before usage and production.
5. This product series uses silver plated contacts. Silver reacts easily to exposure to sulfur gas so the below conditions may cause tarnishing.
 - Dusty environments
 - Area with a high concentration area of gases such as sulfur dioxide gas, hydrogen sulfide gas, nitrogen dioxide gas and so on. (Example; In close proximity to factory exhaust, automotive emissions, etc.)
 - Close to heaters, or in other areas marked by extreme temperature differences or high humidity.
 - Close to rubber products includes rubber adhesives.

The Electrical connection is not affected by tarnishing on a silver surface due to the wiping effect of the contact pins.

Storage

Packing state; Packed in original packing or equivalent container

Temperature -10 to +60°C

Humidity 85% Max

(It is recommended that the product be stored in an area of normal level of temperature and humidity, and free of any temperature fluctuation)

Please use this products within 6 months of delivery.

(After 6 month, please check the solderability before use)

"Storage" means long-term storage of the unused products in sealed packaging, prior to assembly to PCB.

While Taking into Consideration

Specifications mentioned in this catalog are reference values.

When considering to order or use this product, please review the Drawing and Product Specifications sheets.

Use an appropriate cable when using the connector in combination with cables.

If considering usage of a non-specified cable, please contact your sales representative.

If assembly process is done by jigs & tools which are not identified by Hirose, the warranty of the product may be affected.

If considering usage for below mentioned applications, please contact your sales representative.

In cases where the application will demand a high level of reliability, such as automotive, medical instruments, public infrastructure, aerospace/defense etc. Hirose must review before assurance of reliability can be given.