

Manufacture Yourself Available
Design Files Available for Manufacture

FEATURES

- 4.5V to 36V Wide Operating Input
- 1A Load Current
- Hiccup Short-Circuit Protection
- Over-/Under-Voltage Protection
- Over-Current Protection
- Over-Temperature Protection
- Open Design Files and BOM

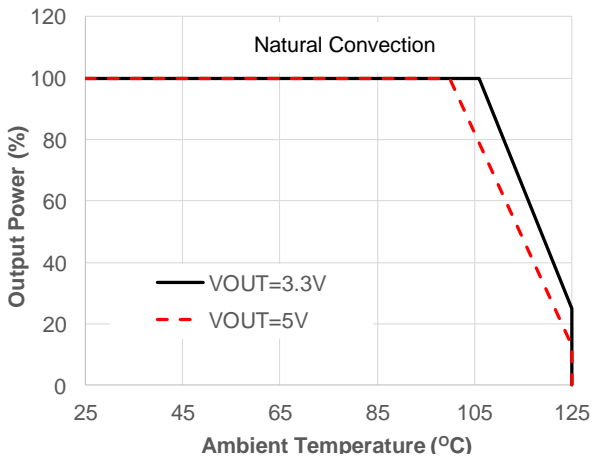
ORDERING INFORMATION

Part Number	Input Voltage (V)	Output Voltage (V)	Output Current (A)
MEZD72401A-X	A - F: 4.5 - 36 G: 6.5 - 36	1, 1.2, 1.5, 1.8, 2.5, 3.3, 5	1

Output Voltage Options			
A = 1.0V	B = 1.2V	C = 1.5V	D = 1.8V
E = 2.5V	F = 3.3V	G = 5.0V	

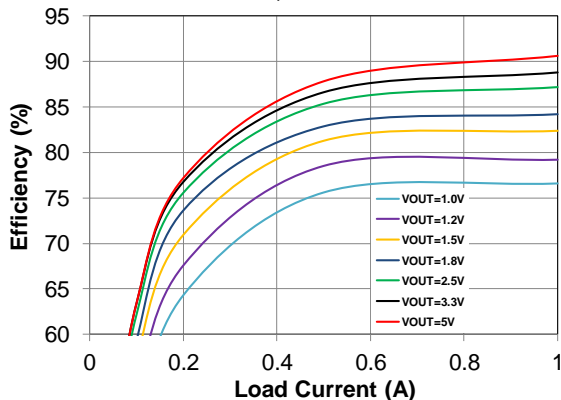
Power Derating

$V_{IN} = 24V$, $V_{OUT} = 3.3V$ and $5V$



Efficiency vs. Load Current

$V_{IN} = 24V$, $V_{OUT} = 1V - 5V$



mEZD724xx FAMILY PRODUCTS

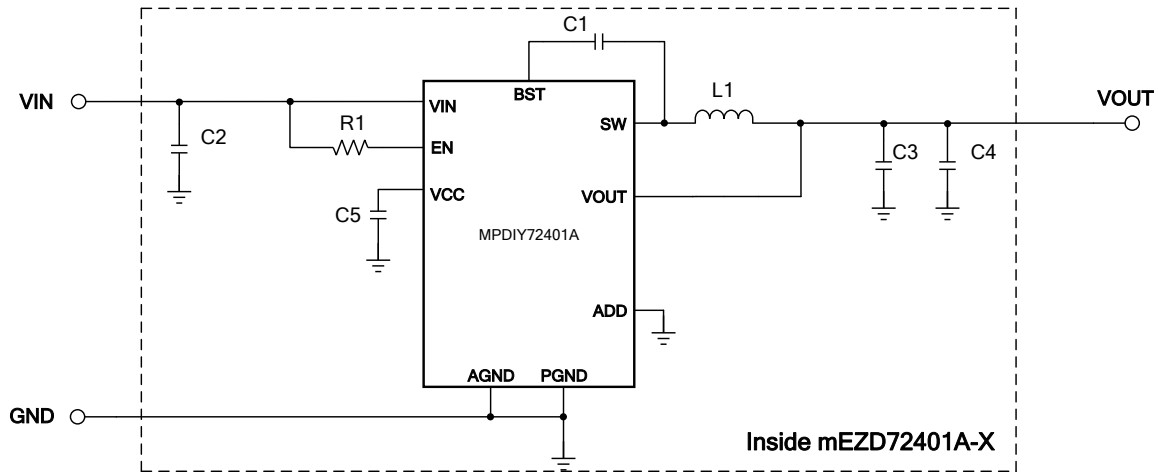
Part Number	Input Voltage (V)	Output Voltage (V)	Output Current (A)
mEZD72401A-X	4.5 - 36	1, 1.2, 1.5, 1.8, 2.5, 3.3, 5	1
mEZD72402A-X	4.5 - 36	1, 1.2, 1.5, 1.8, 2.5, 3.3, 5	2

ELECTRICAL CHARACTERISTICS

Input Voltage Range	V_{IN_MIN} higher than V_{OUT} by 1V	4.5 or 6.5 to 36V
Output Voltage Set Accuracy		±2.5% (Typ.)
Output Voltage Ripple	$V_{IN} = 24V$, $V_{OUT} = 3.3V$, Full Load	20mV
Line Regulation	V_{IN} from MIN to MAX, $V_{OUT} = 3.3V$	±1% (Typ.)
Load Regulation	I_{OUT} from MIN to MAX, $V_{OUT} = 3.3V$	±1% (Typ.)
Switching Frequency	Typical Switching Frequency	400kHz
Short-Circuit Protection	Short Output to Ground	Hiccup Mode
Operating Temperature Range		-40 to 85°C
Over-Temperature Protection	OTP	150°C
Rise Time	V_{OUT} from 0% to 90%	0.75ms (Typ.)
Calculated MTBF	MIL-HDBK-217F	4185x10 ³ hrs

NOTE: All electrical characteristics are tested under 25°C ambient temperature, $V_{IN} = 24V$ unless otherwise noted.

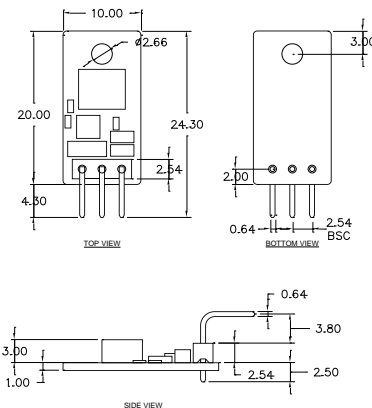
DO-IT-YOURSELF SCHEMATIC



BILL OF MATERIALS

Item	Qty	RefDes	Value	Description	Package	Manufacturer	Manufacturer P/N
1	1	C1	0.22 μ F	Ceramic Cap., 16V, X5R	0402	WE	885012105017
2	1	C2	4.7 μ F	Ceramic Cap., 50V, X7R	1206	WE	885012208094
3	2	C3, C4	47 μ F	Ceramic Cap., 10V, X5R	0805	WE	885012107011
4	1	C5	1 μ F	Ceramic Cap., 10V, X5R	0402	WE	885012105012
5	1	L1	10 μ H	Idc 2.4A, DCR 110m Ω	5.5x5.2mm	WE	74437336100
6	1	R1	499k Ω	Film Res., 5%	0402	Yageo	RC0402JR-07499KL
7	1	P1	3-Pin	3-Pin Male Connector, Right Angle	Bulk	TE-Connectivity	571-3-644457-3
8	1	U1	MPDIY72401A	Synchronous Step-Down Converter	QFN-16	MPS	MPDIY72401A

PRODUCT PACKAGE AND DIMENSIONS



Pin	Designation	Function
1	VIN	Input Voltage
2	GND	Power Ground
3	VOUT	Output Voltage

NOTE:

Contact factory for different sizes of the boards (Quantity >2k).

For more information, Gerber files, and PCB layout, please contact mEZsupport@monolithicpower.com