

HV RCS 890 2 WAY 90° WITH HVIL



RCS 890 2 way 90° with HVIL

RCS 890 BENEFITS

- Easy to assemble due to the ErgoMate™ Axial Mating Assist System on harness connector
- Compact package with unique integrated electric interlock

RCS 890 WITH HVIL FEATURES

- Bundle shielding with external braid
- Dual sealing connection system: mated and unmated header
- Panel mount to device with face seal to module
- Two-stage disconnect for safe unmating



AVAILABLE CONFIGURATIONS

| | |
|--------------------------------|---|
| Connector Type | Wire-to-device |
| Cable Exit Orientation | 90° |
| Cable Range (mm ²) | 35 - 50 power circuit; 0.5 - 0.75 HVIL |
| Terminal Type | 8 mm round contact system |
| # of Power Terminals | 2 |
| Shielding | Bundle |
| HVIL | Shunt on female |
| Assembly Assurance | CPA |
| Number of Indexes | 1 |
| Header Footprint (mm) | 85 x 55.9 |

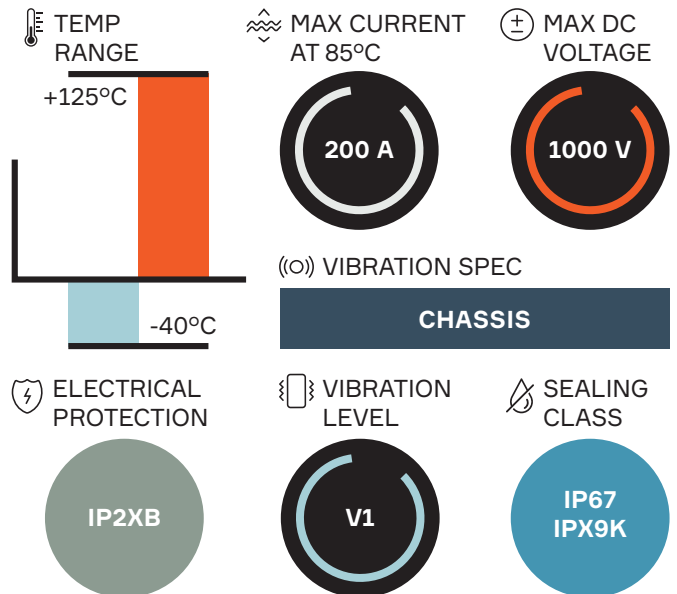


APPLICATIONS

Inverter, battery, junction box, and power electric box



TECHNICAL CHARACTERISTICS



See back page for representative part numbers and packaging dimensions.

About Aptiv

Aptiv is a global technology company that develops safer, greener and more connected solutions enabling the future of mobility. Headquartered in Dublin, Aptiv has approximately 150,000 employees and operates 14 technical centers, as well as manufacturing sites and customer support centers in 45 countries.

Visit aptiv.com





PART NUMBERS

| Index | Header Connector | Mating Information |
|-------|------------------|--------------------|
| | | HV Connector |
| 1 | 33503821 | 33511750 |



ASSOCIATED PARTS

Header

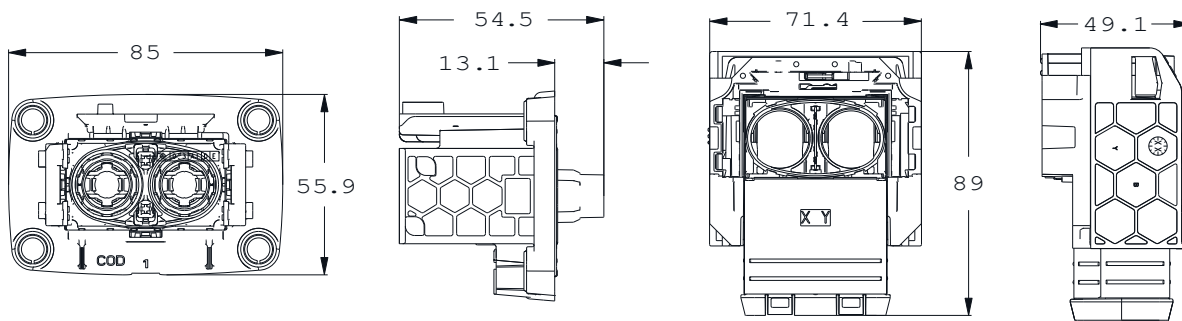
| Part number | Description |
|-------------|--|
| 33512193 | RCS 800/890 male pin terminal silver version standard length |
| 33511746 | RCS 800/890 male pin terminal silver version V1 length |
| 33511747 | RCS 800/890 male pin terminal silver version V2 length |
| 10811962 | DCS2 1.5 gold-plated female terminal 0.5 - 1.0 mm ² |
| 15441379 | DCS 1.5 male red single wire seal 0.22 - 0.5 mm ² |
| 15441380 | DCS 1.5 male grey single wire seal 0.75 - 1.0 mm ² |

Mating Connector

| Part number | Description |
|-------------|--|
| 33502217 | RCS890 female terminal silver version 35 - 50 mm ² |
| 33511754 | RCS890 2-way female single wire seal & retainer (plug) 50 mm ² |
| 33511753 | RCS890 2-way female single wire seal & retainer (plug) 35 - 40 mm ² |
| 33504038 | RCS890 2-way half clamp |



DIMENSION MEASUREMENT SAMPLE



33503821

33511750

Part numbers, specifications, dimensions and performance data in this document are for general references only and are subject to change without notice. To verify product information, please contact an Aptiv representative.

CS-SP94-HV-En0319