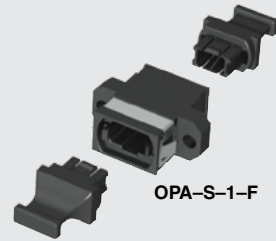




FOPC-02-02-003-12-01



OPA-S-1-F

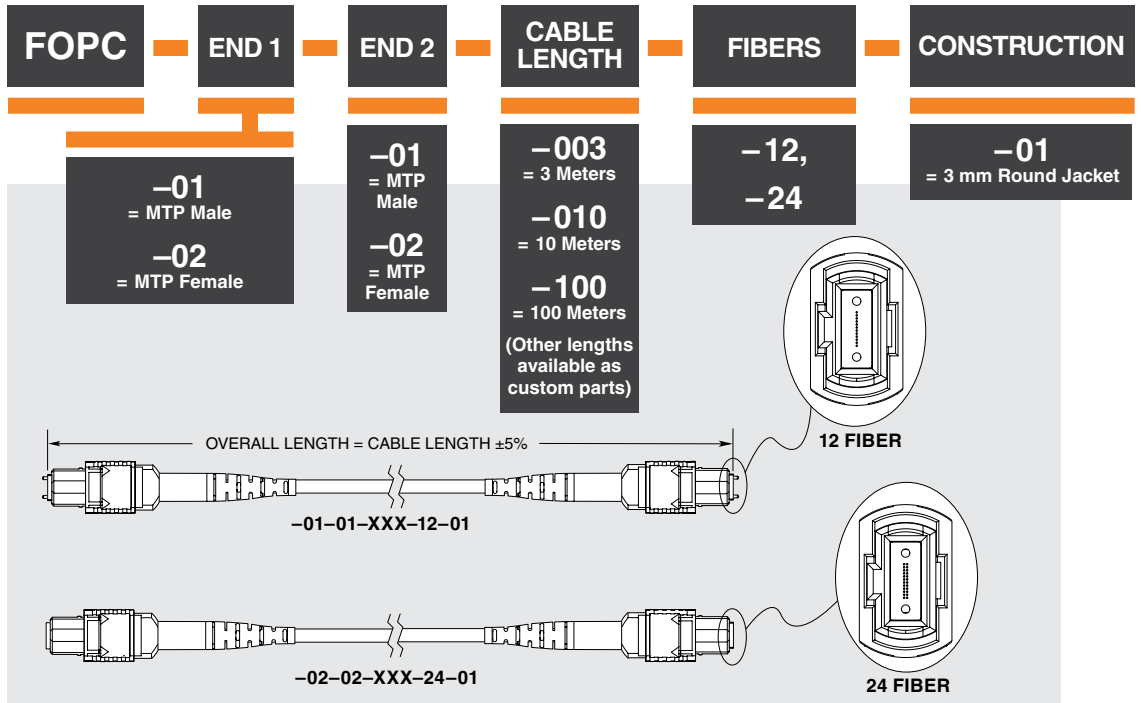
FOPC, OPA SERIES

OPTICAL PATCH CABLE AND ADAPTOR

SPECIFICATIONS

For complete specifications see www.samtec.com?FOPC

Compliant Specifications:
TIA-604-5-D (FOCIS 5)
TIA-568-C.3
IEC-61754-7-1



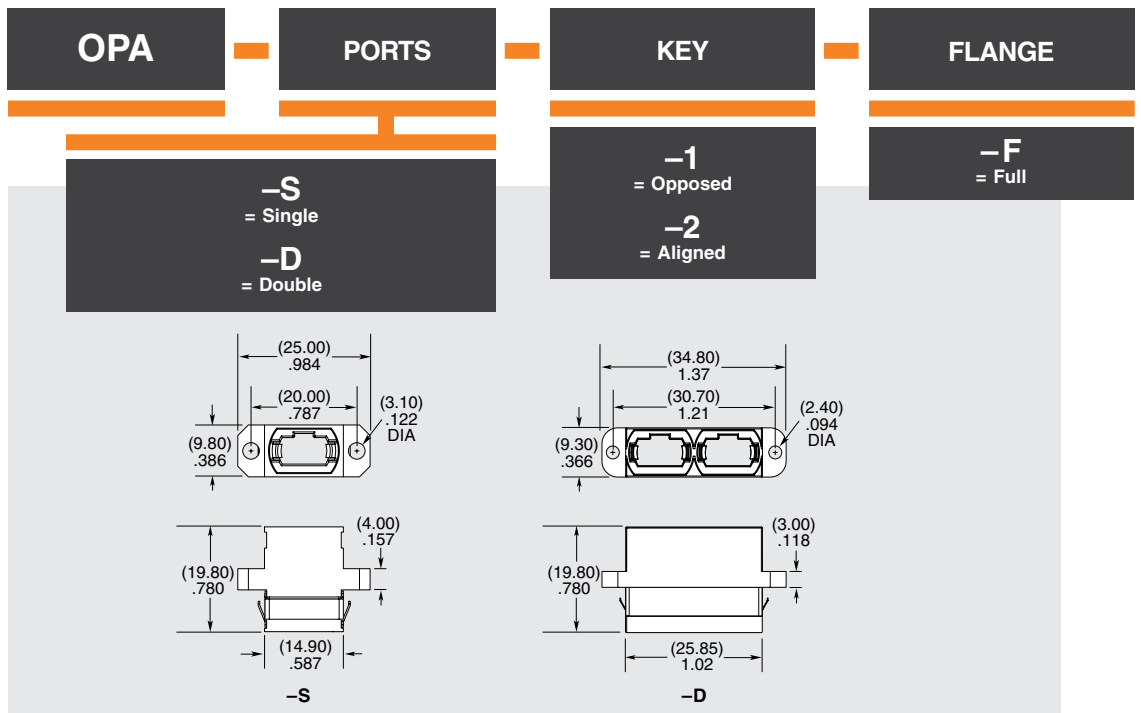
Note: Some lengths, styles and options are non-standard, non-returnable.

SPECIFICATIONS

For complete specifications see www.samtec.com?OPA

Compliant Specifications:
TIA-604-5-D (FOCIS 5)
IEC-61754-7

Recommended Panel Thickness:
(1.75 mm) .069"
(The OPA can be installed with any panel thickness but mounting hardware is needed for any thickness that is not (1.75 mm) .069". Contact the Optics Group at Optics@samtec.com for questions about panel thickness and mounting hardware.)



Note: Some lengths, styles and options are non-standard, non-returnable.