

TRANSFORMERS AND INDUCTORS FOR LED LIGHTING APPLICATIONS

- o Designed for use with Power Integrations Inc. LED Driver LNKSwitch-PH and LYTSwitch Controller Families.
- o Designed to meet UL/IEC 60950 Safety Standards.
- o Multiple configurations.
- o Designed to meet Class B insulation.
- o Design Engineering Support Available.

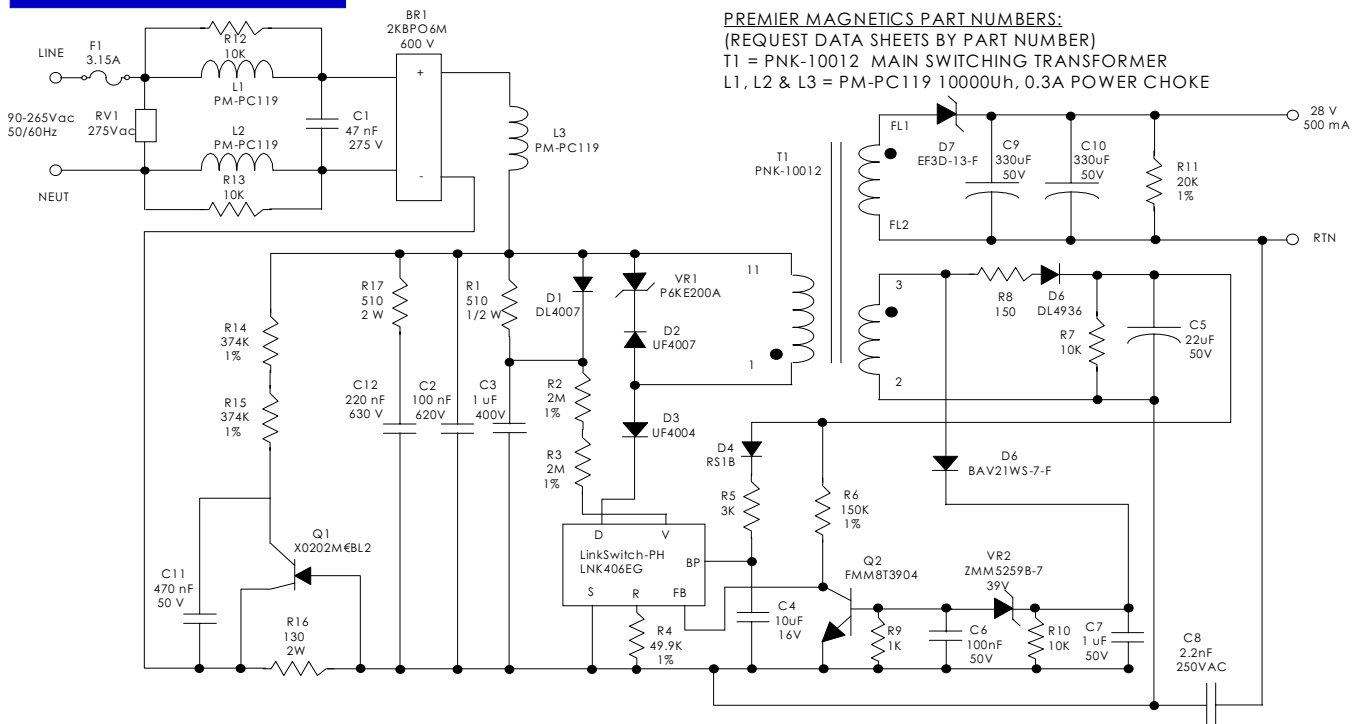
GENERAL APPLICATION INFORMATION

The Premier Magnetics, Inc.'s line of Transformers and Inductors listed in this brochure are designed specifically for use with Power Integrations, Inc. LNK series and LYT series lineup of LED Driver controllers.

The PNK series of Transformers and Inductors are designed for use with the Power Integrations' LNK series of LED Driver controllers which combined offers very high power factor (> 90%), high efficiency (> 90% achievable) and an accurate constant current output for LED. The PNK series transformers provide a bias winding that allows the output voltage to be monitored from the primary side without the need of secondary side feedback components. The Premier Magnetic PNK-xxxx line of LED Driver transformers and inductors have been optimized to provide the best possible constant current output to drive LED lighting.

The POL-LYTxxx series of Transformers and Inductors are designed for use with the Power Integrations' LYT series of LED driver controllers. This combination of LYT controllers and Premier Magnetics POL-LYT series Transformers and Inductors offers high efficiency (typically > 90%) and a tight constant current output that results in a stable LED drive performance. Premier Magnetics' POL-LYT series of Transformers and Inductors have been optimized to provide solid LED drive performance using a cost effective design.

APPLICATION CIRCUIT



Note: Schematic illustration above is of a universal input, 14 Watt LED Driver using the Power Integrations, Inc.'s LNK/406EG Per PI-RDR-195, with Premier Magnetics, Inc.'s Transformer PNK-10012 Inductor PM-PC119.

TRANSFORMERS AND INDUCTORS FOR LED LIGHTING APPLICATIONS

- o Designed for Use with Power Intergration LED Driver LNKSwitch-PH and LYTSwitch Controller Families.
- o Design complies with the requirements of UL/CSA/IEC 60950.
- o Design complies with the requirements of UL/CSA/IEC Class B insulation.



CLICK ON THE RESPECTIVE PART NUMBER TO DISPLAY A DETAIL DATA SHEET

PART NUMBER	Power Integrations		APPLICATION DATA		
	Doc#	Device	Input Volts	Output Volts @ Currents (A)	Output Power (W)
POL-LYT020	DER-350	LYT4317E	90-132	36V @ 0.550	20
POL-LYT021	DER-364	LYT4313E	90-132	41V @ 0.350	14
TSD-3200	DER-364	LYT4313E	90-132	41V @ 0.350	14
POL-LYT022	DER-347	LYT4313E	90-132	34V @ 0.370	12.6
POL-LYT023	DER-365	LYT4311E	190-265	41V @ 0.350	14.35
TSD-3192	DER-365	LYT4311E	190-265	41V @ 0.350	14.35
POL-LYT024	DER-366	LYT4314E	190-265	36V @ 0.550	20
POL-LYT025	DER-357	LYT4313E	90-132	72V @ 0.170	12
POL-LYT026	DER-353	LYT4314E	90-132	18V @ 0.530	9.5
POL-LYT027	DER-359	LYT4312E	90-132	36V @ 0.230	8.5
POL-LYT028	DER-360	LYT4311E	90-132	15V @ 0.500	7.5
POL-LYT029	DER-355	LYT4312E	90-265	54V @ 0.110	6
PNK-10010	DER-277	LNK403EG	90-265	18V @ 0.380	7
PNK-10011	DER-281	LNK405EG	180-265	30V @ 0.50	15
PNK-10012	DER-263	LNK406EG	90-265	28V @ 0.50	14
PNK-10013	DER-286	LNK419EG	90-308	30V @ 1.0	30
PNK-10014	RDR-290	LNK420EG	190-300	29V-36V @ 2.1	75
PNK-10015	DER-291	LNK420EG	180-277	30V-36V @ 4.2	150
PNK-10016	DER-296	LNK403EG	176-265	66V @ 0.112	7.4
PNK-10017	DER-298	LNK419EG	90-265	200V @ 0.09	18
PNK-10018	DER-302	LNK406VG	185-265	36V @ 0.200	7.2
PNK-10019	DER-303	LNK406VG	185-265	36V @ 0.200	7.2
PNK-10020	DER-304	LNK458KG	190-265	48V @ 0.093	4.5
PNK-10021	DER-305	LNK460VG	185-265	50V @ 0.200	10
PNK-10022	DER-306	LNK460VG	90-135	36V @ 0.278	10
PNK-10023	DER-314	LNK406VG	185-265	36V @ 0.425	15.3
PNK-10024	DER-315	LNK458VG	90-132	48V @ 0.093	4.5
PNK-10025	DER-322	LNK460VG	195-265	78V @ 0.230	18
PNK-10026	DER-323	LNK406VG	90-135	85V @ 0.200	18
PNK-10027	DER-324	LNK458DG	90-132	230V @ 0.030	7
PNK-10029	DER-328	LNK460KG	90-132	30V-36V @ 0.280	10
PNK-10030	DER-335	LNK456DG	190-265	100V @ 0.040	4
PNK-10031	DER-336	LNK460KG	195-265	145V @ 0.040	5.8
PNK-10032	DER-340	LNK419EG	90-300	54V @ 0.750	40.5
PNK-10033	DER-341	LNK407EG	90-132	40V @ 0.350or 30V @ 0.480	14.5
PNK-10034	DER-344	LNK414EG	140-280	16V @ 0.800	12.8
PNK-10035	DER-351	LNK604DG	90-265	9V @ 0.330	3

Specifications subject to change without notice.