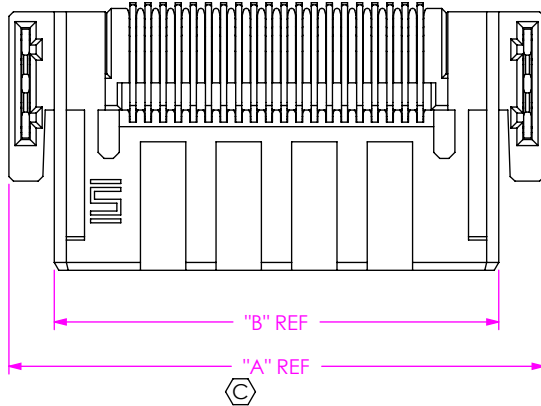


DO NOT SCALE FROM THIS PRINT

DESIGNED & DIMENSIONED IN MILLIMETERS [INCHES]

LSHM-1XX-XX-XXX-RH-A-X-X-XX



No OF POSITIONS
-05, -10, -20, -30, -40, -50

LEAD STYLE
-01: REVERSE RIGHT ANGLE
-L1: LUBRICATED (SEE TABLE 2)

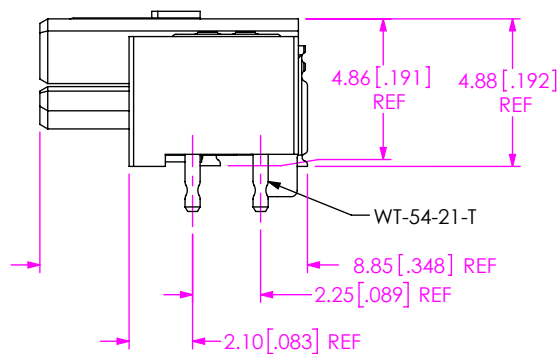
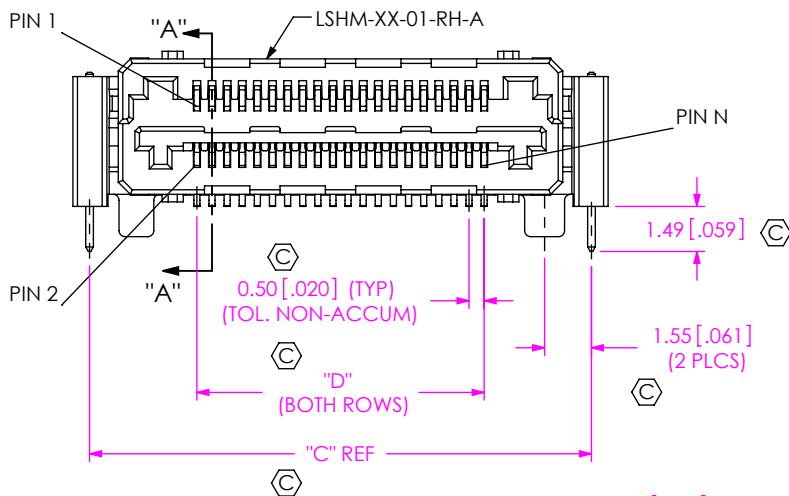
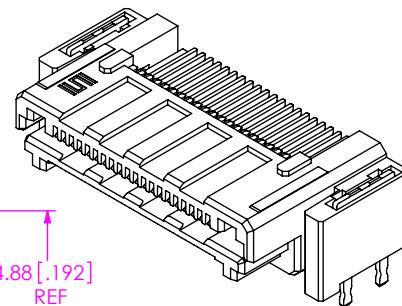
PLATING SPECIFICATION
-L: 10µ" SELECTIVE GOLD IN CONTACT AREA, MATTE TIN ON TAIL
-F: 3µ" SELECTIVE GOLD IN CONTACT AREA, MATTE TIN ON TAIL
-S: 30µ" SELECTIVE GOLD IN CONTACT AREA, MATTE TIN ON TAIL
-H: 30µ" HEAVY GOLD IN CONTACT AREA, 3µ" GOLD ON TAIL
-LTL: 10µ" SELECTIVE GOLD IN CONTACT AREA, LEAD TIN ON TAIL

PACKAGING (SEE NOTES 7 & 8)
-TR: TAPE & REEL
-FR: FULL REEL QTY. TAPE & REEL

OPTION
-K: POLYAMIDE FILM (USE K-DOT-.177-.281-.005)

SHIELD
-S: WITH SHIELD
-N: WITHOUT SHIELD

TAIL OPTION
-RH: REVERSE RIGHT ANGLE



NOTES:

1. Ⓢ REPRESENTS A CRITICAL DIMENSION.
2. BURR ALLOWANCE: .038 [.0015].
3. MINIMUM PUSHOUT FORCE; TERMINALS: 2.22 N [.5 LBS], CONTACTS: 2.22 N [.5 LBS].
4. NOTE DELETED.
5. TAPE & REEL IS STANDARD PACKAGING.
6. FOR APPLICATIONS REQUIRING TWO OR MORE CONNECTORS PER BOARD, CONTACT IPG@SAMTEC.COM.
7. ORDERS WILL BE PACKAGED ACCORDING TO THE SAMTEC PACKAGING EFFICIENCY STANDARDS (SPES) FOUND ON WWW.SAMTEC.COM.
8. ATTACH LABEL-4X2 TO EACH REEL.

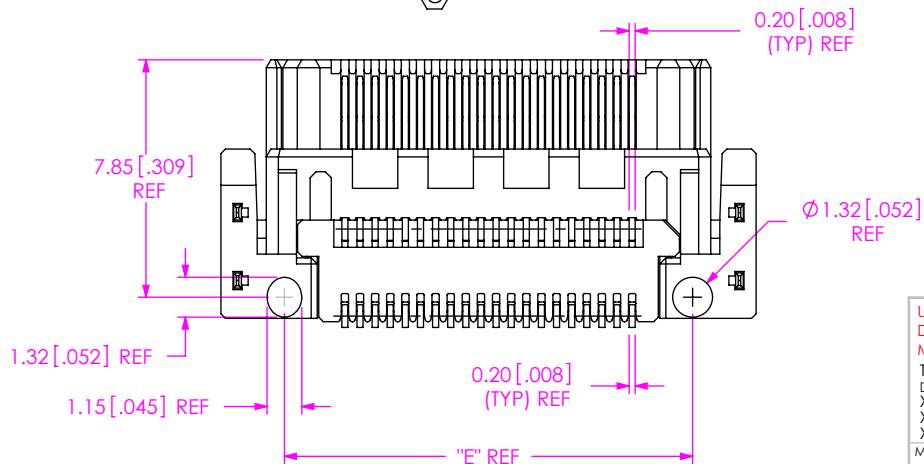


FIG 1
LSHM-120-X1-XXX-RH-A-N-X-XX SHOWN

F:\DWG\MISC\MKTG\LSHM-1XX-XX-XXX-RH-A-X-X-XX-MKT.SLDDRW

UNLESS OTHERWISE SPECIFIED, DIMENSIONS ARE IN MILLIMETERS [INCHES].
TOLERANCES ARE:
DECIMALS ANGLES
X.X: ±0.3 [.01]
X.XX: ±0.13 [.005]
X.XXX: ±0.051 [.0020]

PROPRIETARY NOTE

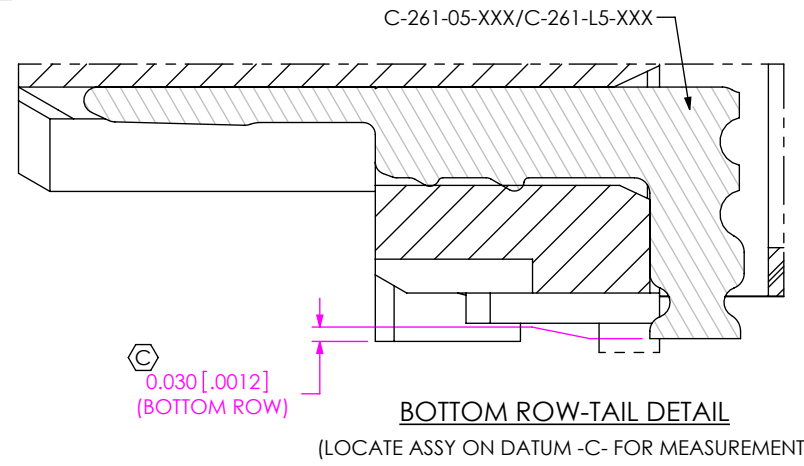
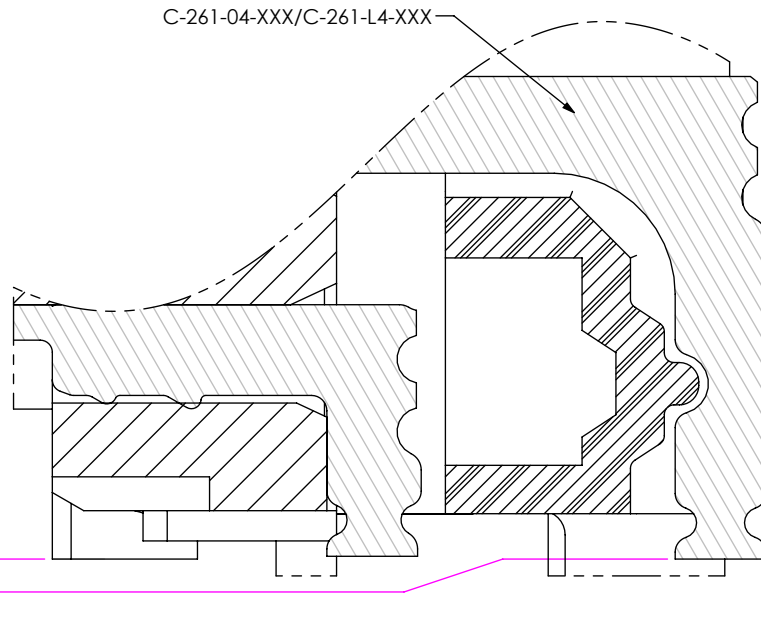
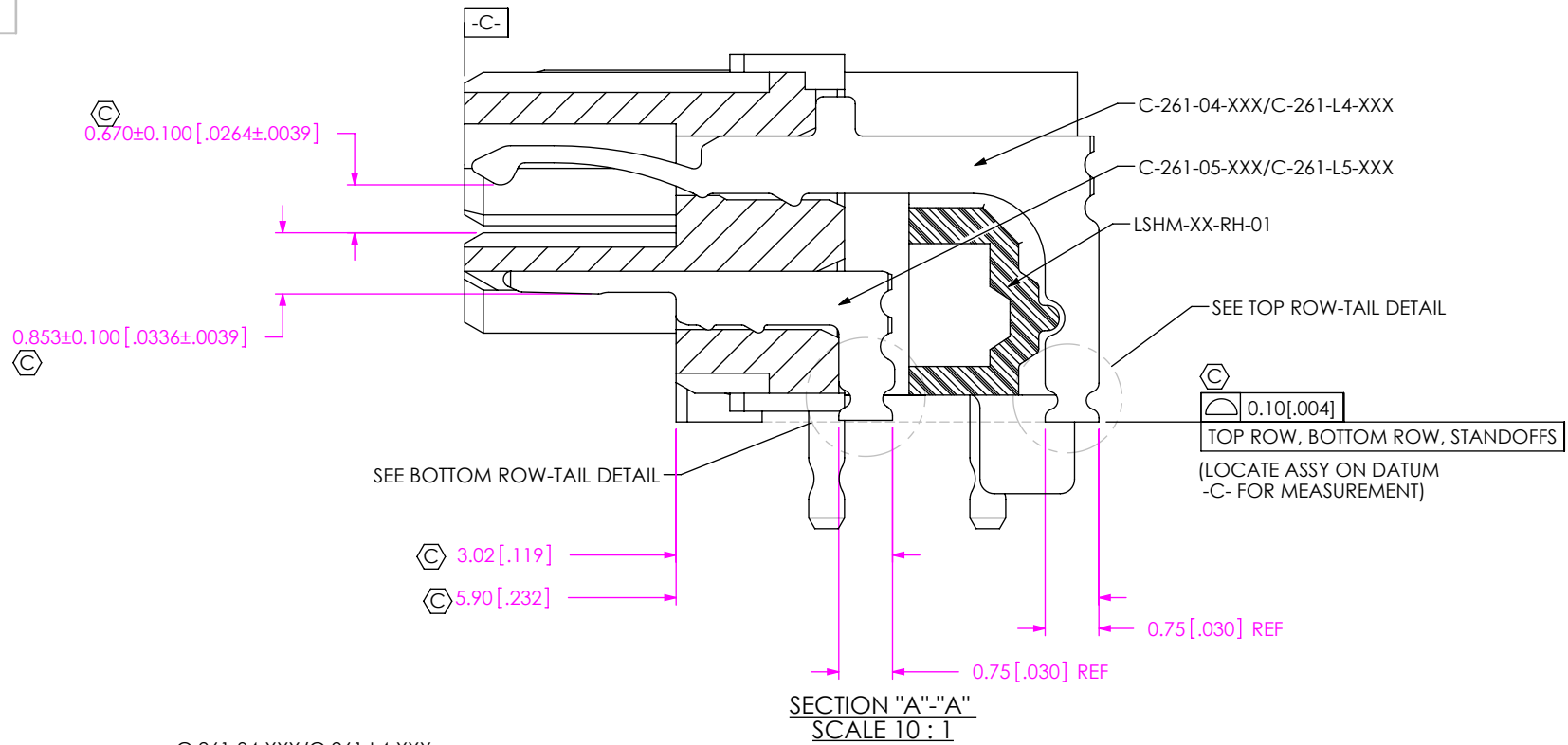
THIS DOCUMENT CONTAINS CONFIDENTIAL AND PROPRIETARY INFORMATION AND ALL DESIGN, MANUFACTURING, REPRODUCTION, USE, PATENT RIGHTS AND SALES RIGHTS ARE EXPRESSLY RESERVED BY SAMTEC, INC. THIS DOCUMENT SHALL NOT BE DISCLOSED, IN WHOLE OR PART, TO ANY UNAUTHORIZED PERSON OR ENTITY NOR REPRODUCED, TRANSFERRED OR INCORPORATED IN ANY OTHER PROJECT IN ANY MANNER WITHOUT THE EXPRESS WRITTEN CONSENT OF SAMTEC, INC.

MATERIAL: DO NOT SCALE DRAWING SHEET SCALE: 4:1
INSULATOR: LCP, UL 94 VO, COLOR: BLACK
TERMINAL: PHOS BRONZE
SHIELD: STAINLESS STEEL
WELD TAB: COPPER ALLOY



520 PARK EAST BLVD, NEW ALBANY, IN 47150
PHONE: 812-944-6733 FAX: 812-948-5047
e-Mail: info@SAMTEC.com code 55322

DESCRIPTION:	0.5mm TERMINAL/SOCKET COMBO
DWG. NO.	LSHM-1XX-XX-XXX-RH-A-X-X-XX
BY:	VICKY Z 03/12/2011 SHEET 1 OF 4



F:\DWG\MISC\MKTG\LSHM-1XX-XX-XXX-RH-A-X-XX-MKT.SLDDRW

<p>PROPRIETARY NOTE</p> <p>THIS DOCUMENT CONTAINS CONFIDENTIAL AND PROPRIETARY INFORMATION AND ALL DESIGN, MANUFACTURING, REPRODUCTION, USE, PATENT RIGHTS AND SALES RIGHTS ARE EXPRESSLY RESERVED BY SAMTEC, INC. THIS DOCUMENT SHALL NOT BE DISCLOSED, IN WHOLE OR PART, TO ANY UNAUTHORIZED PERSON OR ENTITY NOR REPRODUCED, TRANSFERRED OR INCORPORATED IN ANY OTHER PROJECT IN ANY MANNER WITHOUT THE EXPRESS WRITTEN CONSENT OF SAMTEC, INC.</p> <p>DO NOT SCALE DRAWING</p> <p>SHEET SCALE: 4:1</p>	<p>520 PARK EAST BLVD, NEW ALBANY, IN 47150 PHONE: 812-944-6733 FAX: 812-948-5047 e-Mail info@SAMTEC.com code 55322</p>
	<p>DESCRIPTION:</p> <p>0.5mm TERMINAL/SOCKET COMBO</p>
	<p>DWG. NO.</p> <p>LSHM-1XX-XX-XXX-RH-A-X-X-XX</p>
	<p>BY: VICKY Z 03/12/2011 SHEET 2 OF 4</p>

No OF POS.	"A"	"B"	"C"	"D"	"E"	"F"	"G"	"H"
-05	10.20 [0.402]	7.20 [0.283]	9.10 [0.358]	2.00 [0.079]	6.00 [0.236]	7.25 [0.285]	5.15 [0.203]	7.36 [0.290]
-10	12.70 [0.500]	9.70 [0.382]	11.60 [0.457]	4.50 [0.177]	8.50 [0.335]	9.75 [0.384]	7.65 [0.301]	9.86 [0.388]
-20	17.70 [0.697]	14.70 [0.579]	16.60 [0.654]	9.50 [0.374]	13.50 [0.531]	14.75 [0.581]	12.65 [0.498]	14.86 [0.585]
-30	22.70 [0.894]	19.70 [0.776]	21.60 [0.850]	14.50 [0.571]	18.50 [0.728]	19.75 [0.778]	17.65 [0.695]	19.86 [0.782]
-40	27.70 [1.091]	24.70 [0.972]	26.60 [1.047]	19.50 [0.768]	23.50 [0.925]	24.75 [0.974]	22.65 [0.892]	24.86 [0.979]
-50	32.70 [1.287]	29.70 [1.169]	31.60 [1.244]	24.50 [0.965]	28.50 [1.122]	29.75 [1.171]	27.65 [1.089]	29.86 [1.176]

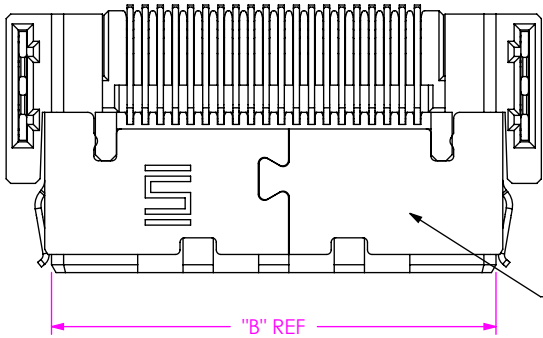
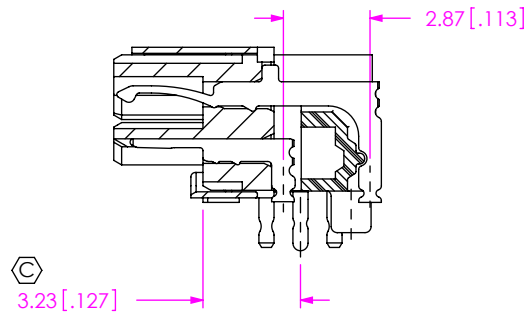
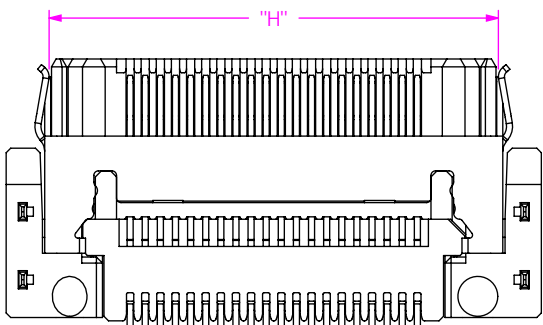
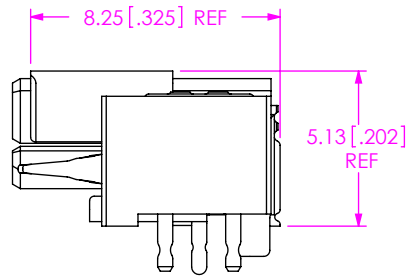
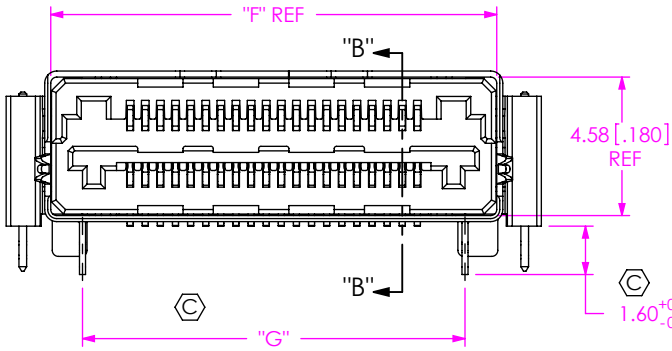
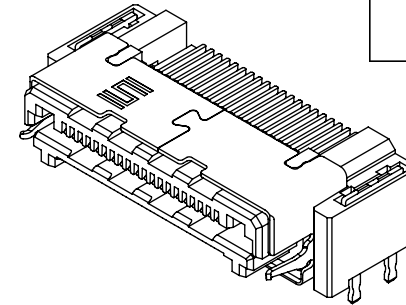


FIG 2
LSHM-120-X1-XXX-RH-A-S-X-XX SHOWN
(SAME AS FIG 1, EXCEPT AS SHOWN)



LEAD STYLE	CONTACT
-01	C-261-04-XXX
	C-261-05-XXX
-L1	C-261-L4-XXX
	C-261-L5-XXX



F:\DWG\MISC\MKTG\LSHM-1XX-XX-XXX-RH-A-X-X-MKT.SLDDRW

PROPRIETARY NOTE
THIS DOCUMENT CONTAINS CONFIDENTIAL AND PROPRIETARY INFORMATION AND ALL DESIGN, MANUFACTURING, REPRODUCTION, USE, PATENT RIGHTS AND SALES RIGHTS ARE EXPRESSLY RESERVED BY SAMTEC, INC. THIS DOCUMENT SHALL NOT BE DISCLOSED, IN WHOLE OR PART, TO ANY UNAUTHORIZED PERSON OR ENTITY NOR REPRODUCED, TRANSFERRED OR INCORPORATED IN ANY OTHER PROJECT IN ANY MANNER WITHOUT THE EXPRESS WRITTEN CONSENT OF SAMTEC, INC.

DO NOT SCALE DRAWING

SHEET SCALE: 4:1



520 PARK EAST BLVD, NEW ALBANY, IN 47150
PHONE: 812-944-6733 FAX: 812-948-5047
e-Mail info@SAMTEC.com code 55322

DESCRIPTION: 0.5mm TERMINAL/SOCKET COMBO

DWG. NO. LSHM-1XX-XX-XXX-RH-A-X-X-XX

BY: VICKY Z 03/12/2011 SHEET 3 OF 4

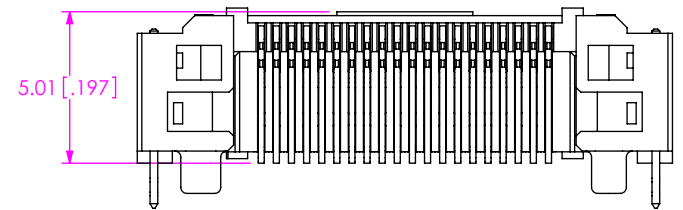
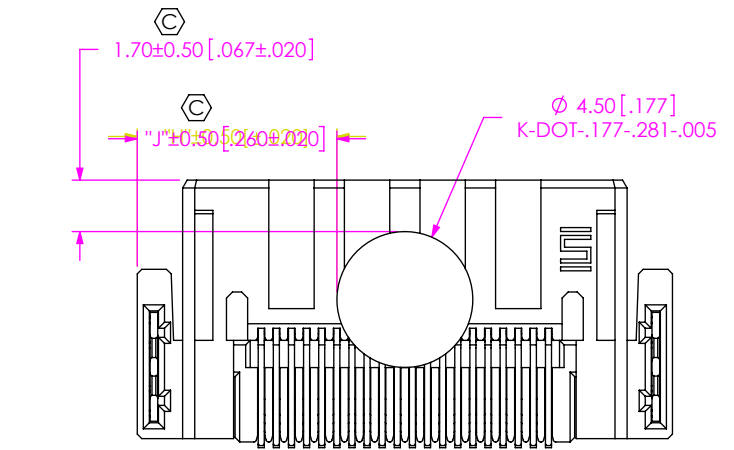
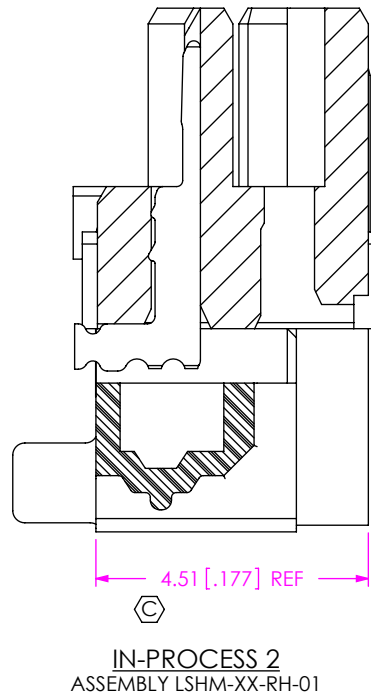
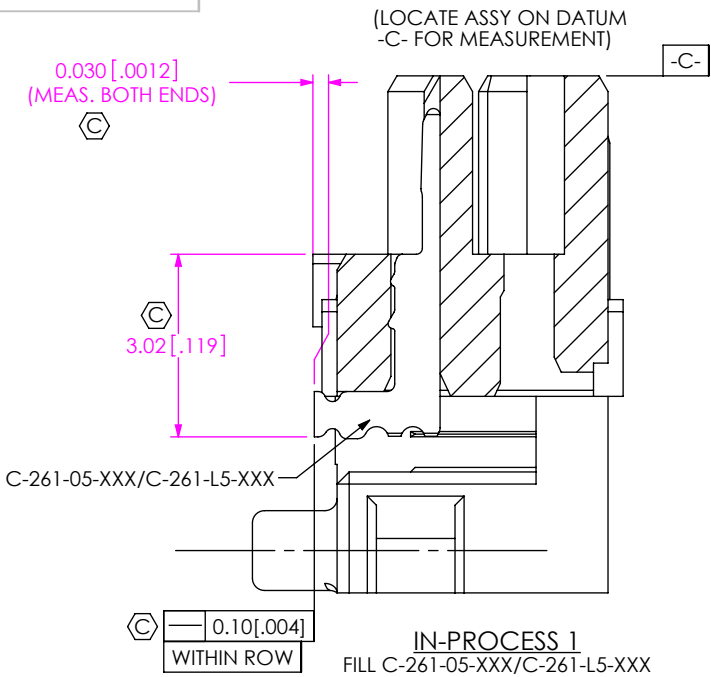
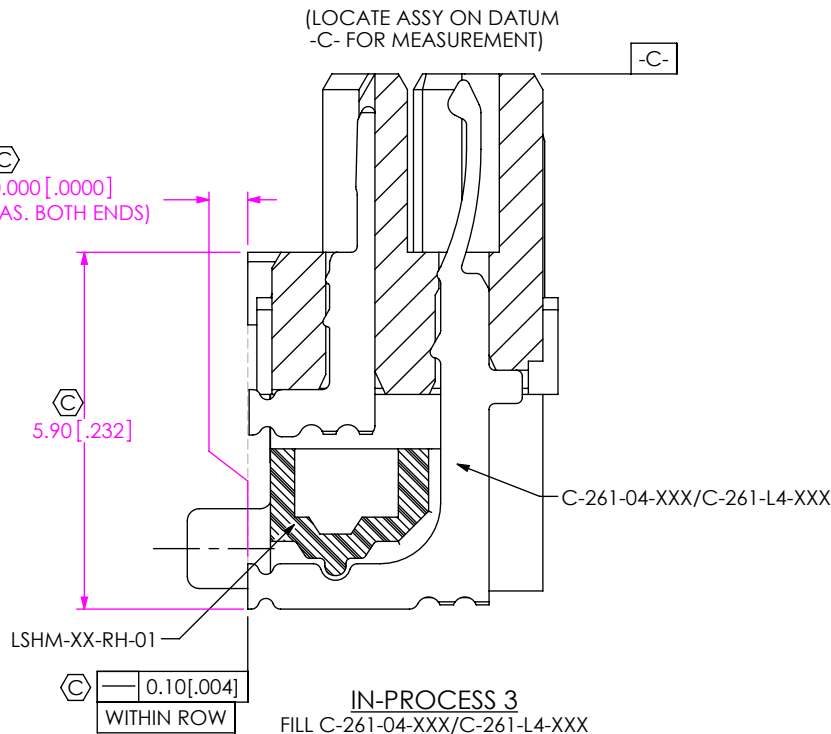


FIG 3
LSHM-120-X1-XXX-RH-A-N-K-XX SHOWN

TABLE 3

No OF POS.	"J"
-05	2.85 [0.112]
-10	4.10 [0.161]
-20	6.60 [0.260]
-30	9.10 [0.358]
-40	11.60 [0.457]
-50	14.10 [0.555]

F:\DWG\MISC\MKTG\LSHM-1XX-XX-XXX-RH-A-X-XX-MKT.SLDDRW



PROPRIETARY NOTE
THIS DOCUMENT CONTAINS CONFIDENTIAL AND PROPRIETARY INFORMATION AND ALL DESIGN, MANUFACTURING, REPRODUCTION, USE, PATENT RIGHTS AND SALES RIGHTS ARE EXPRESSLY RESERVED BY SAMTEC, INC. THIS DOCUMENT SHALL NOT BE DISCLOSED, IN WHOLE OR PART, TO ANY UNAUTHORIZED PERSON OR ENTITY NOR REPRODUCED, TRANSFERRED OR INCORPORATED IN ANY OTHER PROJECT IN ANY MANNER WITHOUT THE EXPRESS WRITTEN CONSENT OF SAMTEC, INC.

DO NOT SCALE DRAWING

SHEET SCALE: 4:1



520 PARK EAST BLVD. NEW ALBANY, IN 47150
PHONE: 812-944-6733 FAX: 812-948-5047
e-Mail info@SAMTEC.com code 55322

DESCRIPTION:
0.5mm TERMINAL/SOCKET COMBO

DWG. NO.
LSHM-1XX-XX-XXX-RH-A-X-X-XX

BY: VICKY Z 03/12/2011 SHEET 4 OF 4