

DESIGNED AND DIMENSIONED IN INCHES[MILLIMETERS]  
ALL DIMENSIONS REFERENCE EXCEPT AS SHOWN

DO NOT  
SCALE FROM  
THIS PRINT

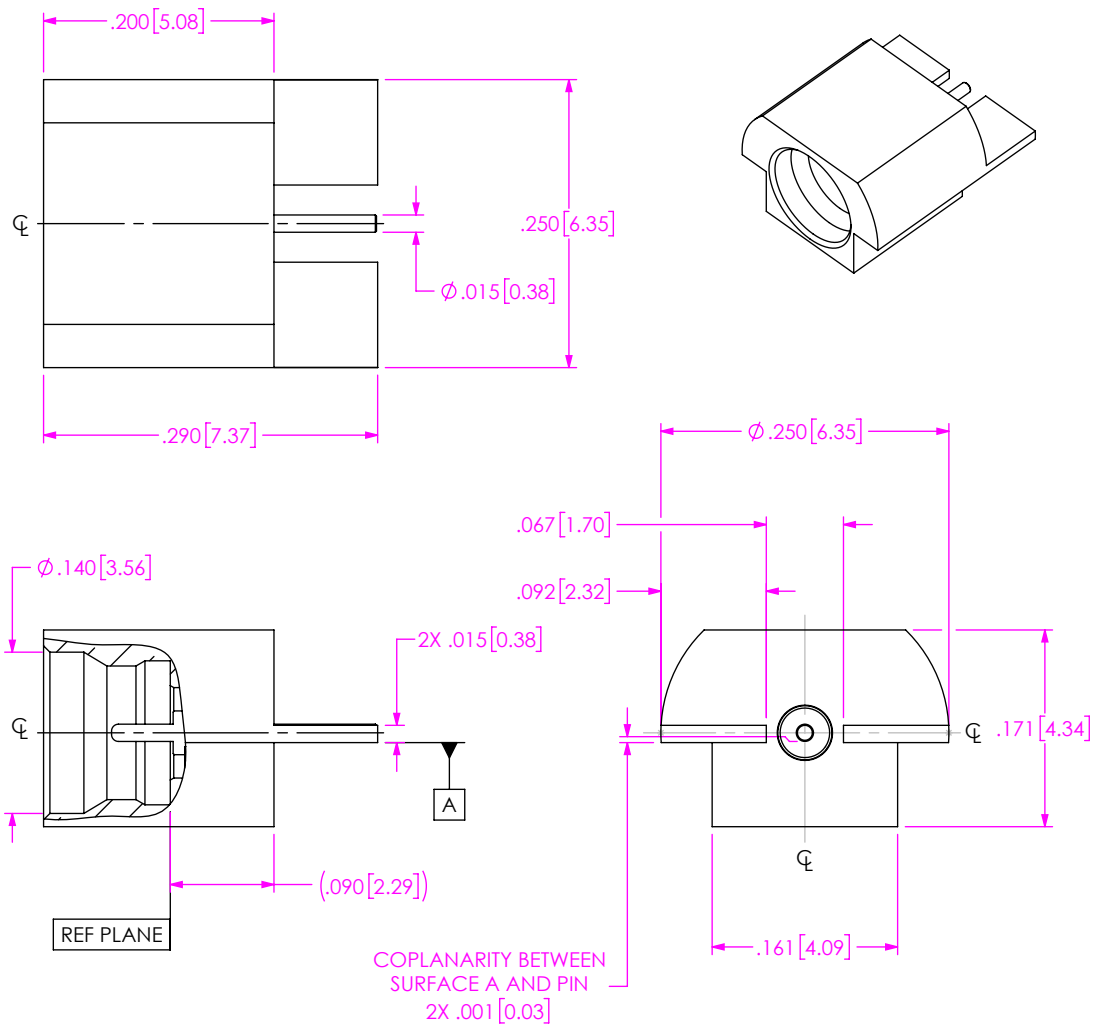


FIG 1  
SMP-PF-P-XX-ST-EM SHOWN

NOTES:

1. TRAYS TO BE STANDARD PACKAGING

**SMP-PX-P-XX-ST-EM**

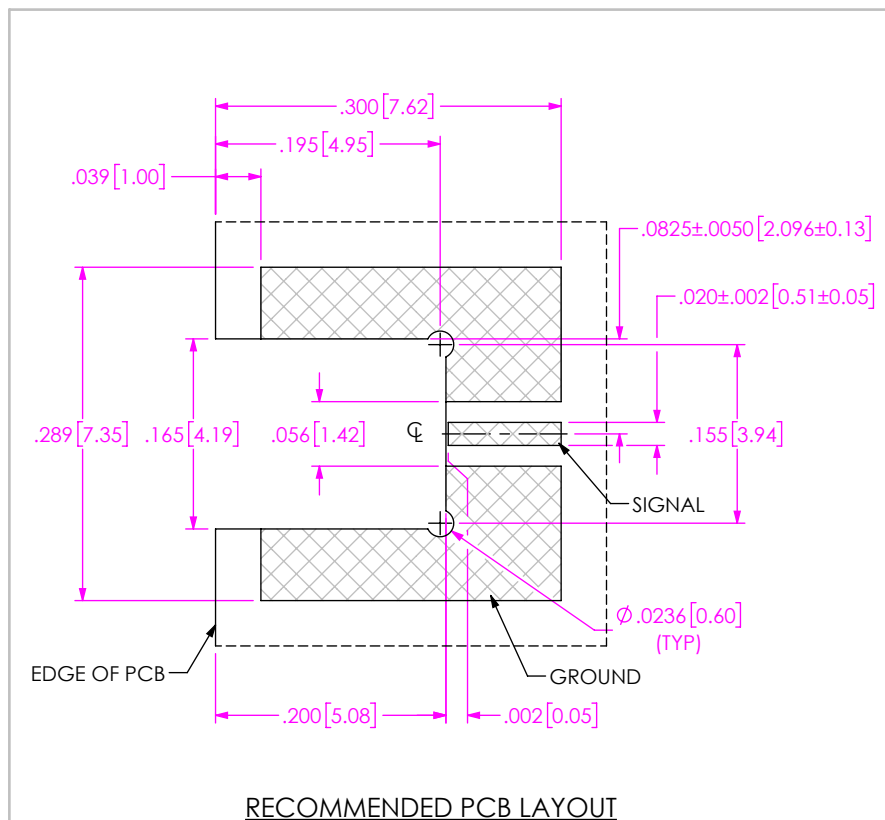
**GENDER**  
-PF: PLUG FULL DETENT  
-PL: PLUG LIMITED DETENT  
-PS: PLUG SMOOTH DETENT

**TERMINATION**  
-EM: EDGE MOUNT

**ORIENTATION**  
-ST: STRAIGHT

**TYPE**  
-P: PCB

**FINISH**  
-HG: 30μ" HEAVY GOLD CENTER CONTACT,  
10μ" GOLD OUTER BODY



RECOMMENDED PCB LAYOUT

**PROPRIETARY NOTE**  
THIS DOCUMENT CONTAINS CONFIDENTIAL AND PROPRIETARY INFORMATION AND ALL DESIGN, MANUFACTURING, REPRODUCTION, USE, PATENT RIGHTS AND SALES RIGHTS ARE EXPRESSLY RESERVED BY SAMTEC, INC. THIS DOCUMENT SHALL NOT BE DISCLOSED, IN WHOLE OR PART, TO ANY UNAUTHORIZED PERSON OR ENTITY NOR REPRODUCED, TRANSFERRED OR INCORPORATED IN ANY OTHER PROJECT IN ANY MANNER WITHOUT THE EXPRESS WRITTEN CONSENT OF SAMTEC, INC.

DO NOT SCALE DRAWING  
SHEET SCALE: 6:1  
MATERIAL:  
BODY & PIN: GOLD PLATED  
BRASS  
INSULATOR: PTFE

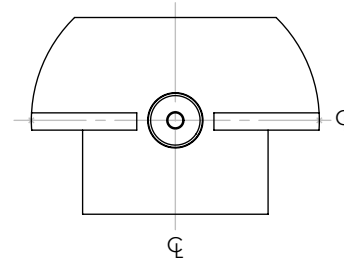
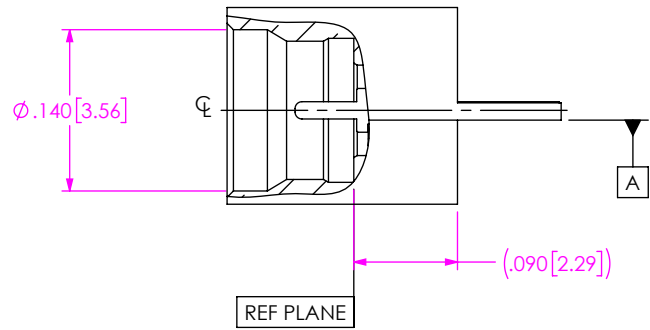


520 PARK EAST BLVD., NEW ALBANY, IN 47150  
PHONE: 812-944-6733 FAX: 812-948-5047  
e-Mail: info@SAMTEC.com code 55322

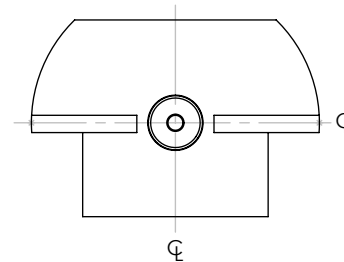
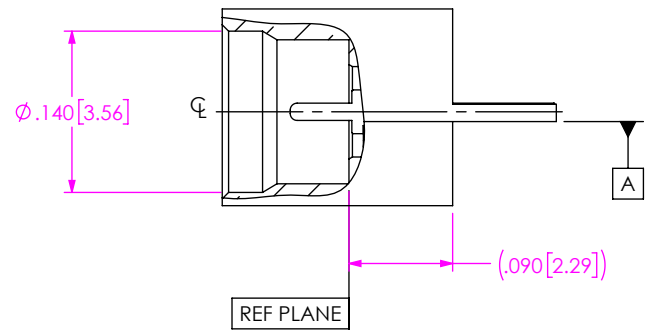
DESCRIPTION:  
SMP-PLUG, EDGE MOUNT

DWG. NO.  
SMP-PX-P-XX-ST-EM

BY: WILLY Y 10/5/2023 SHEET 1 OF 3



**FIG 2**  
SMP-PL-P-XX-ST-EM SHOWN  
(SAME AS FIG 1, EXCEPT AS SHOWN)



**FIG 3**  
SMP-PS-P-XX-ST-EM SHOWN  
(SAME AS FIG 1, EXCEPT AS SHOWN)

**PROPRIETARY NOTE**  
THIS DOCUMENT CONTAINS CONFIDENTIAL AND PROPRIETARY INFORMATION AND ALL DESIGN, MANUFACTURING, REPRODUCTION, USE, PATENT RIGHTS AND SALES RIGHTS ARE EXPRESSLY RESERVED BY SAMTEC, INC. THIS DOCUMENT SHALL NOT BE DISCLOSED, IN WHOLE OR PART, TO ANY UNAUTHORIZED PERSON OR ENTITY NOR REPRODUCED, TRANSFERRED OR INCORPORATED IN ANY OTHER PROJECT IN ANY MANNER WITHOUT THE EXPRESS WRITTEN CONSENT OF SAMTEC, INC.



520 PARK EAST BLVD, NEW ALBANY, IN 47150  
PHONE: 812-944-6733 FAX: 812-948-5047  
e-Mail info@SAMTEC.com code 55322

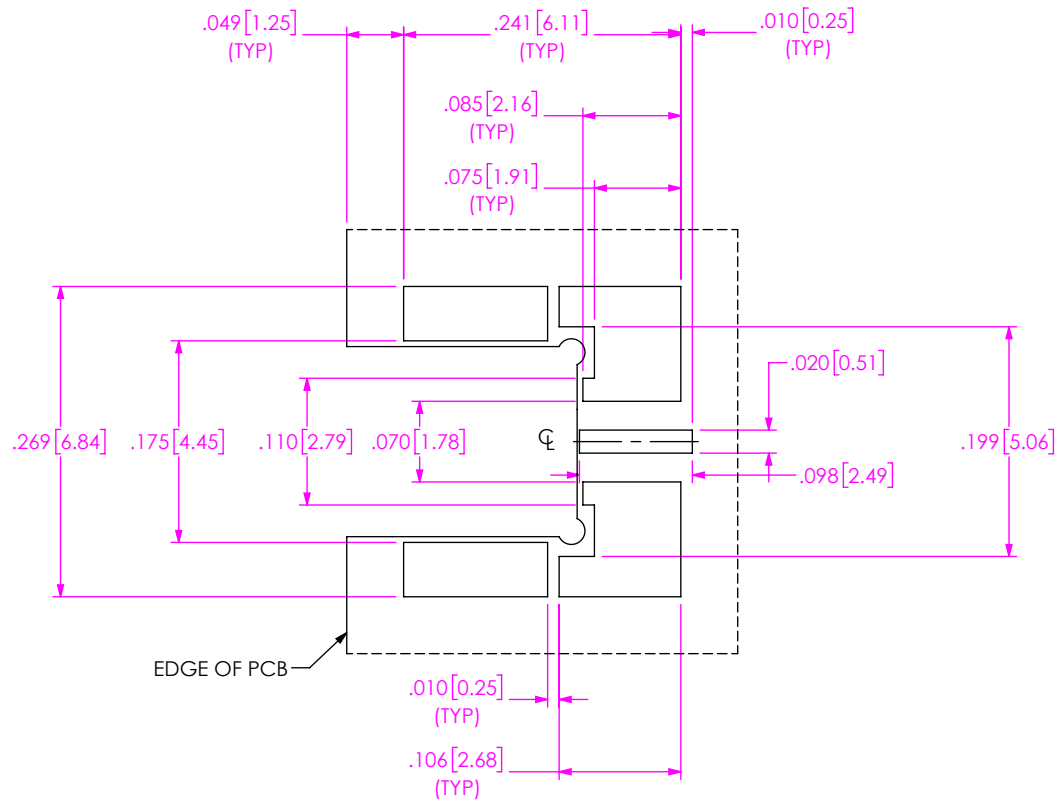
DO NOT SCALE DRAWING

SHEET SCALE: 6:1

DESCRIPTION:  
SMP-PLUG, EDGE MOUNT

DWG. NO.  
SMP-PX-P-XX-ST-EM

BY: WILLY Y 10/5/2023 SHEET 2 OF 3



RECOMMENDED STENCIL APERTURE LAYOUT

NOTES:

2. RECOMMENDED STENCIL THICKNESS = .005".

**PROPRIETARY NOTE**  
 THIS DOCUMENT CONTAINS CONFIDENTIAL AND PROPRIETARY INFORMATION AND ALL DESIGN, MANUFACTURING, REPRODUCTION, USE, PATENT RIGHTS AND SALES RIGHTS ARE EXPRESSLY RESERVED BY SAMTEC, INC. THIS DOCUMENT SHALL NOT BE DISCLOSED, IN WHOLE OR PART, TO ANY UNAUTHORIZED PERSON OR ENTITY NOR REPRODUCED, TRANSFERRED OR INCORPORATED IN ANY OTHER PROJECT IN ANY MANNER WITHOUT THE EXPRESS WRITTEN CONSENT OF SAMTEC, INC.



520 PARK EAST BLVD, NEW ALBANY, IN 47150  
 PHONE: 812-944-6733 FAX: 812-948-5047  
 e-Mail info@SAMTEC.com code 55322

DO NOT SCALE DRAWING

SHEET SCALE: 6:1

DESCRIPTION: SMP-PLUG, EDGE MOUNT

DWG. NO. SMP-PX-P-XX-ST-EM

BY: WILLY Y 10/5/2023 SHEET 3 OF 3