

AIMTEC

EV Chargers

aimtec

MUST HAVZ



1x1"



2x1"

Highlighted Solutions Aimtec Brings to IoT



AMEM3-277HAVZ



AMEL10-277HAVZ



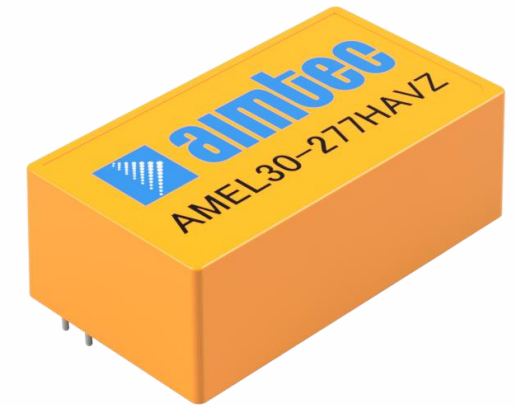
AMEM5-277HAVZ



AMEL15-277HAVZ



AMEL20-277HAVZ



AMEL30-277HAVZ

Must-HAVZ Features

- Input voltage range of **85-305VAC**
- Operating temperature range **-40°C to 85°C**
- High isolation voltage **4000VAC**
- Low ripple & noise
- Low no-load power consumption
- Output short circuit, over-current, over-voltage protection
- **IEC/EN/UL62368, IEC/EN60335, IEC/EN61558**

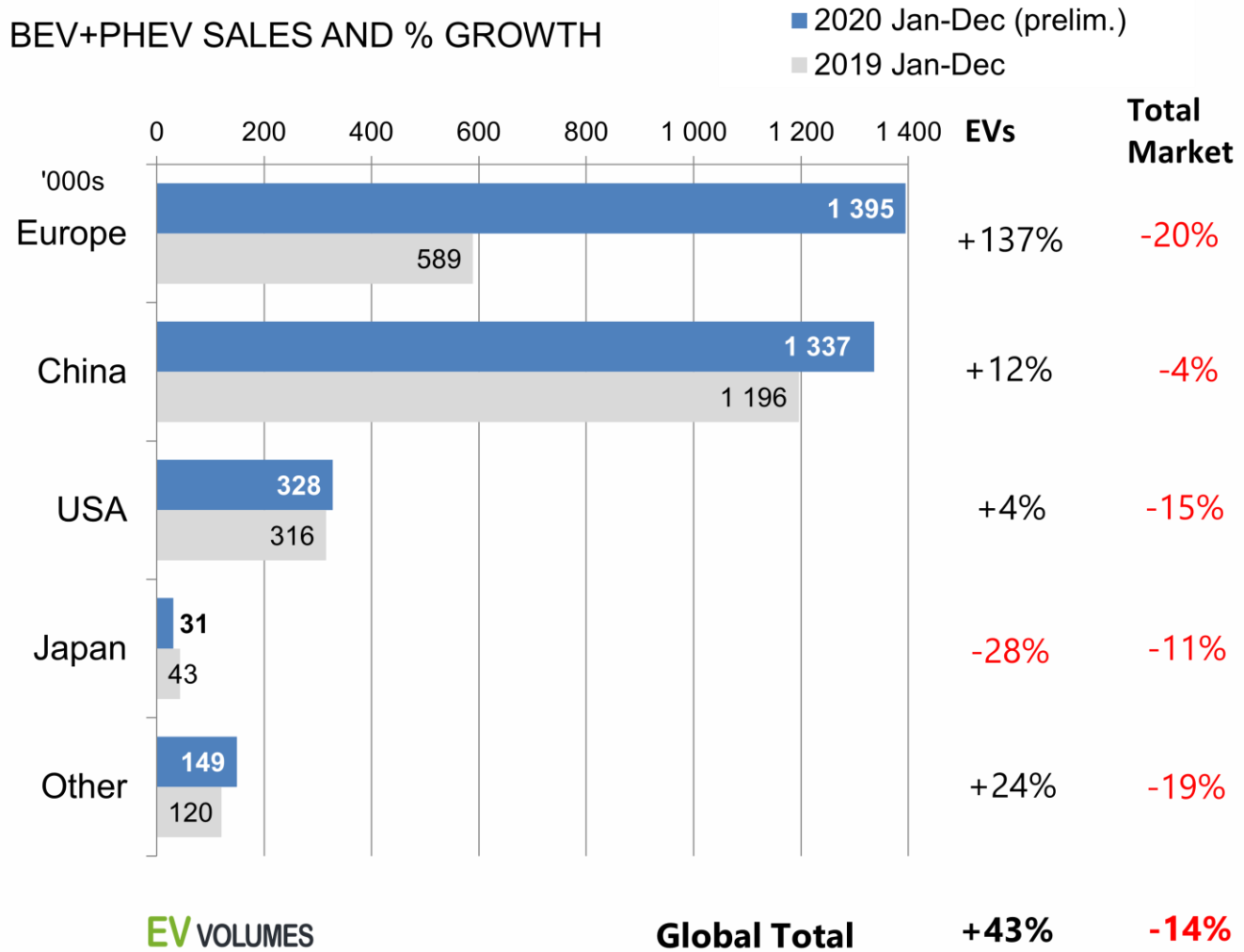
EV market

EV (Electric Vehicle)

BEV (Battery Electric Vehicle)

PHEV (Plug-in Hybrid Electric Vehicle)

BEV+PHEV SALES AND % GROWTH



Charging level

SAE J1772

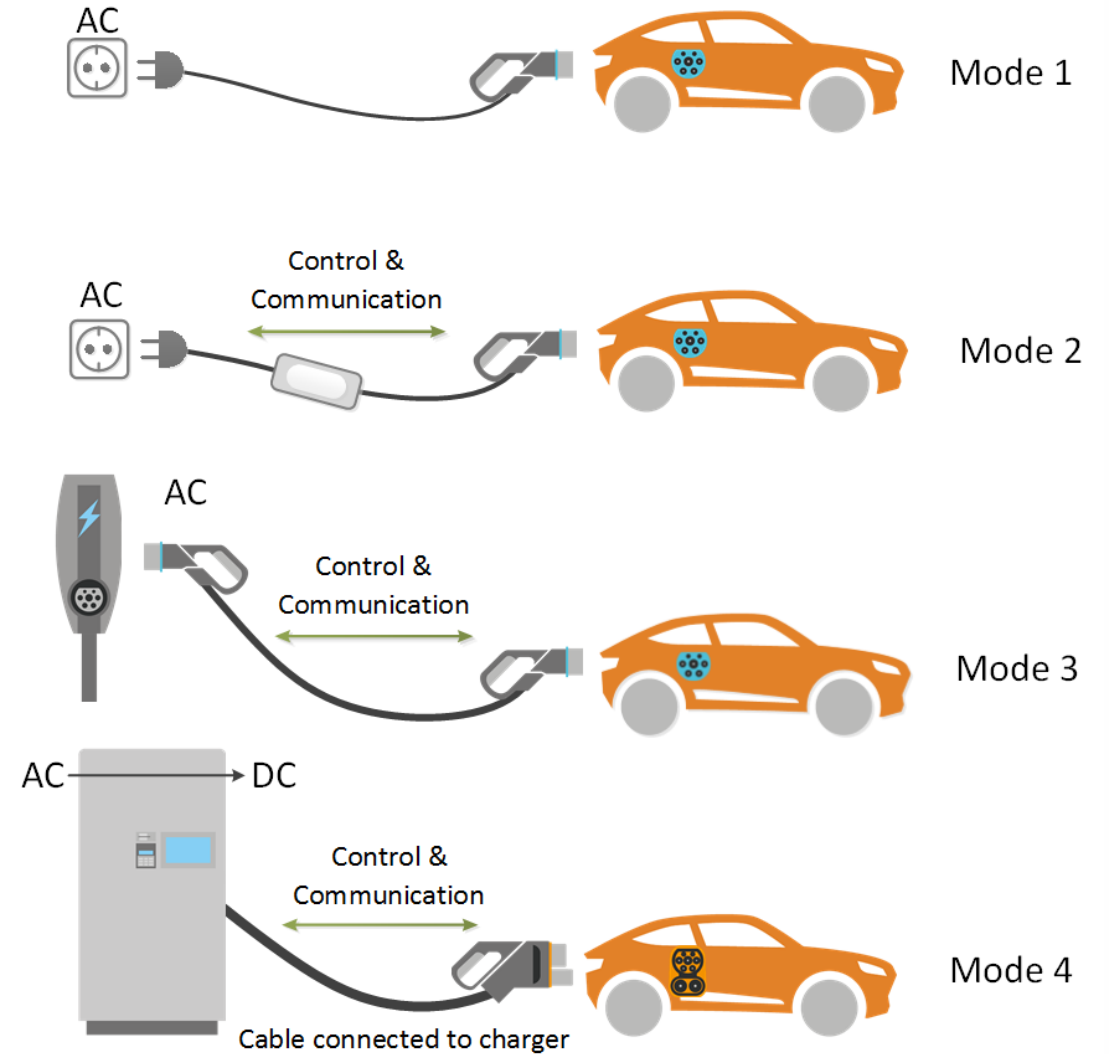
Charge mode	Nominal supply voltage & max current	Charge mode	DC output voltage & max current
AC Level 1	120VAC, 1-phase, 16A max.	DC Level 1	50 to 1000VDC, 80A max.
AC Level 2	208 to 240VAC, 1-phase 80A max.	DC Level 2	50 to 1000VDC, 400A max.



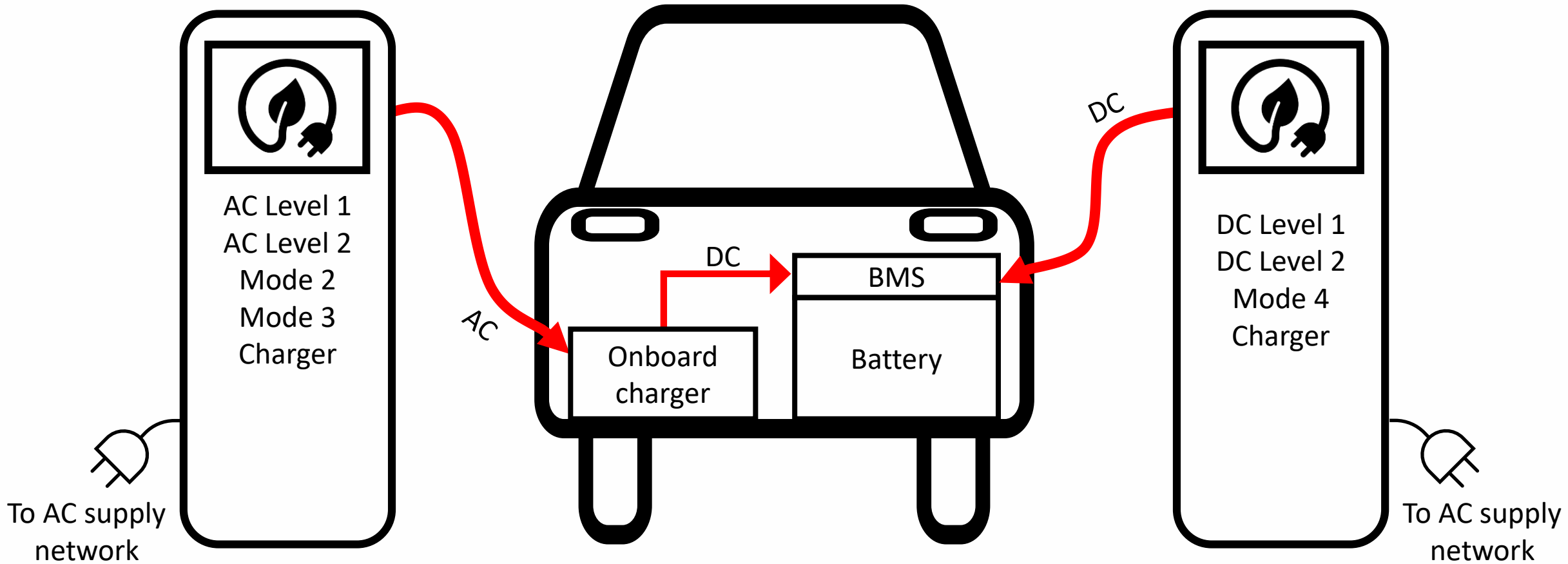
Charging level

IEC 61851-1

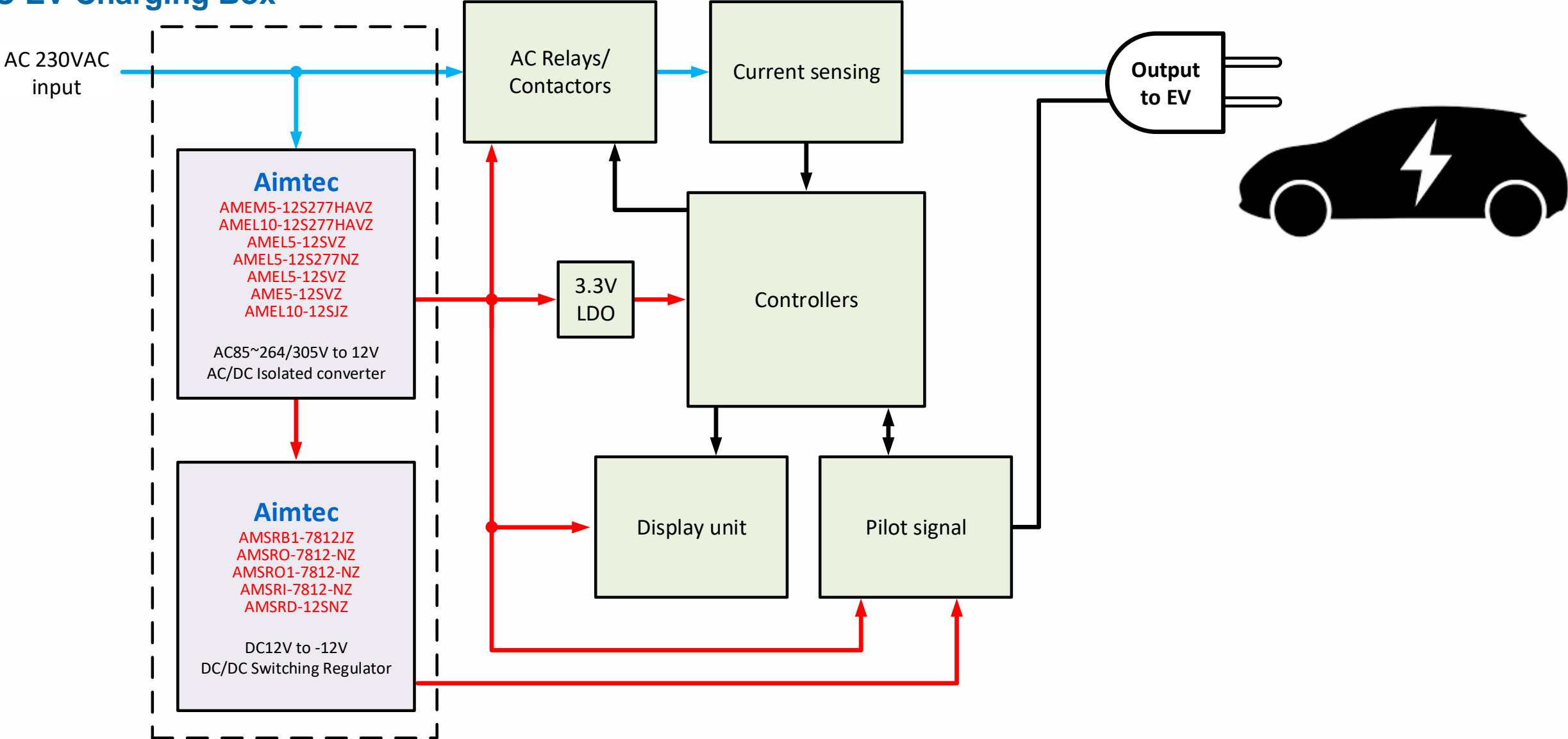
Mode	Rated voltage	Rated current
1	250VAC/1-phase, 480VAC/ 3-phase	16A
2	250VAC/1-phase, 480VAC/ 3-phase	32A
3	Up to 1000VAC EV supply equipment with permanent connection to an AC supply network.	
4	Up to 1500VDC EV supply equipment.	



Charging level



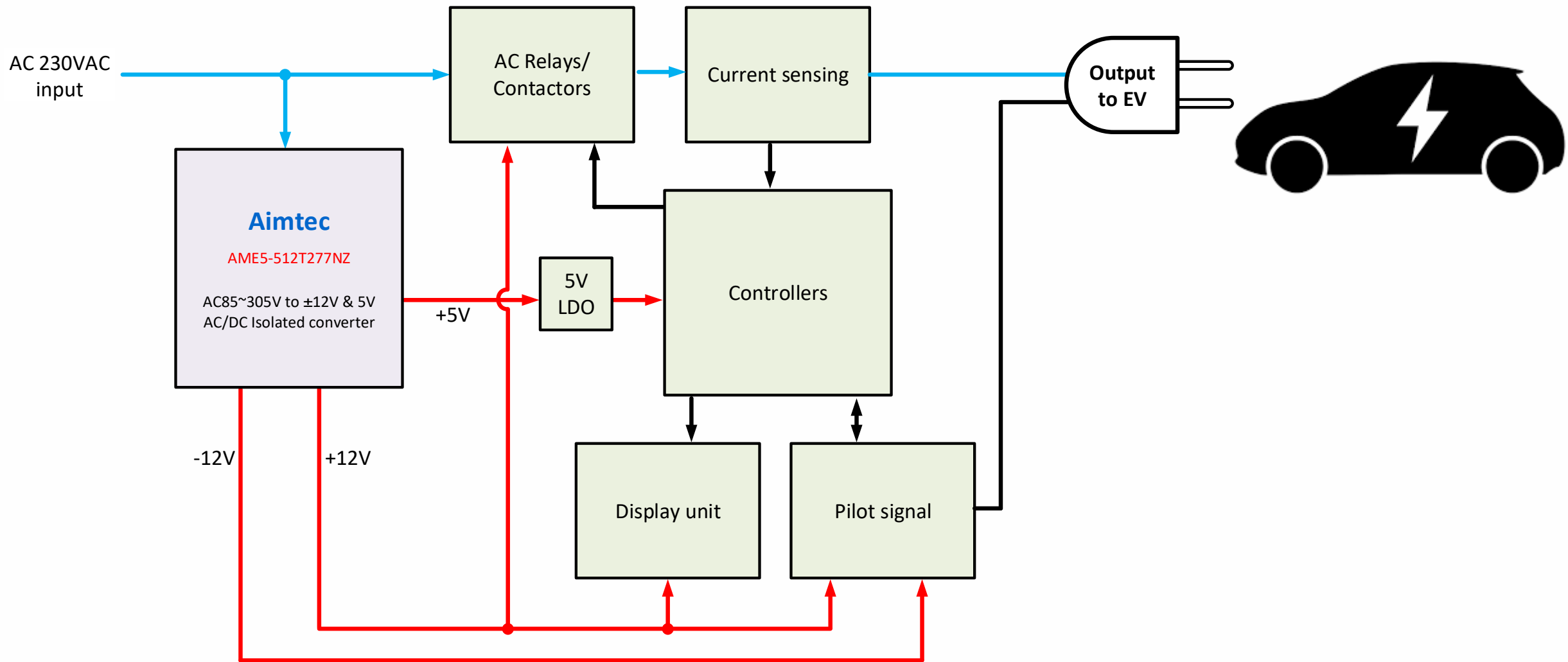
AC EV Charging Box



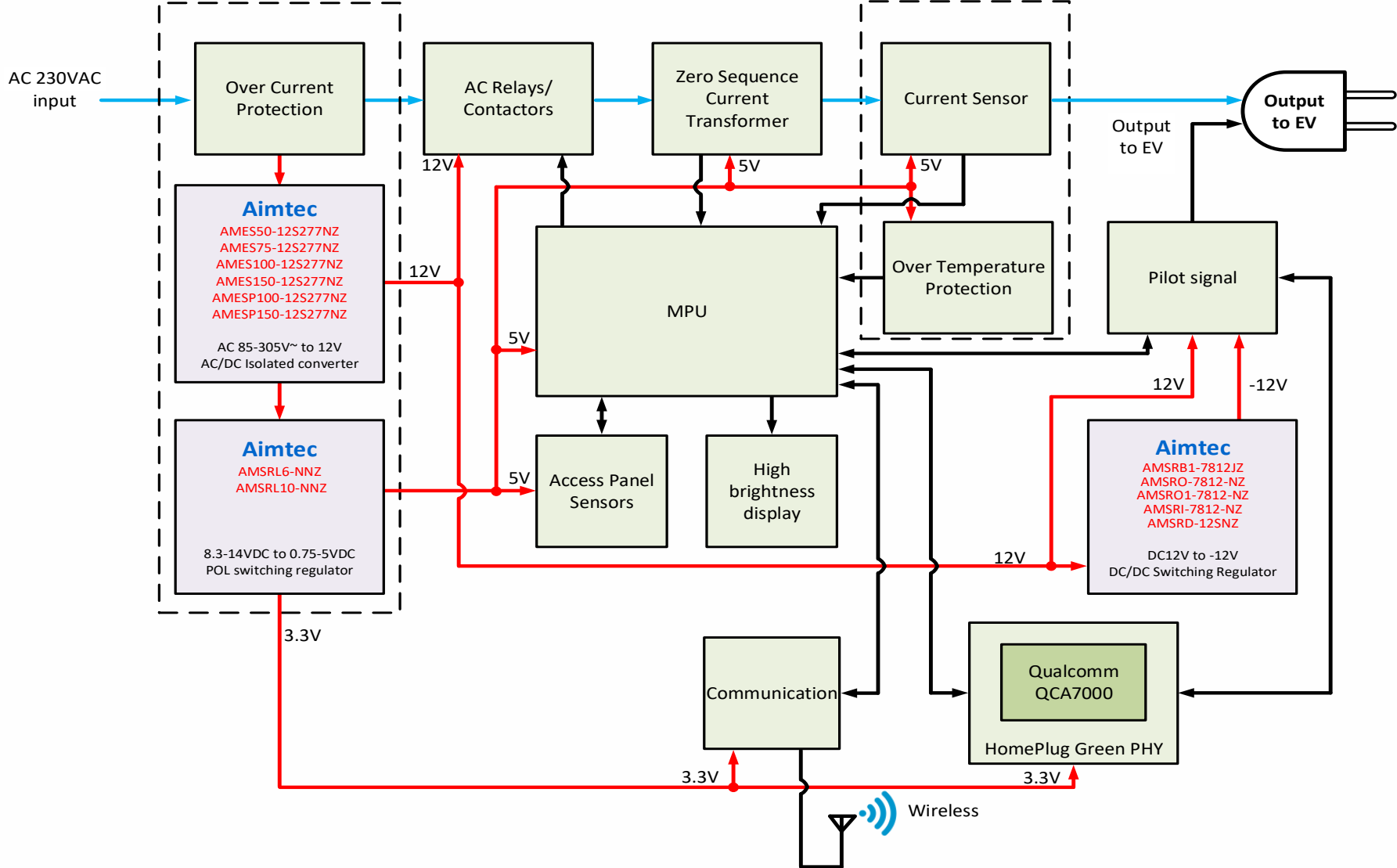
Aimtec
 AMEM5-12S277HAVZ
 AMEL10-12S277HAVZ
 AMEL5-12SVZ
 AMEL5-12S277NZ
 AMEL5-12SVZ
 AME5-12SVZ
 AMEL10-12SJZ
 AC85~264/305V to 12V
 AC/DC Isolated converter

Aimtec
 AMSRB1-7812JZ
 AMSRO-7812-NZ
 AMSRO1-7812-NZ
 AMSRI-7812-NZ
 AMSRD-12SNZ
 DC12V to -12V
 DC/DC Switching Regulator

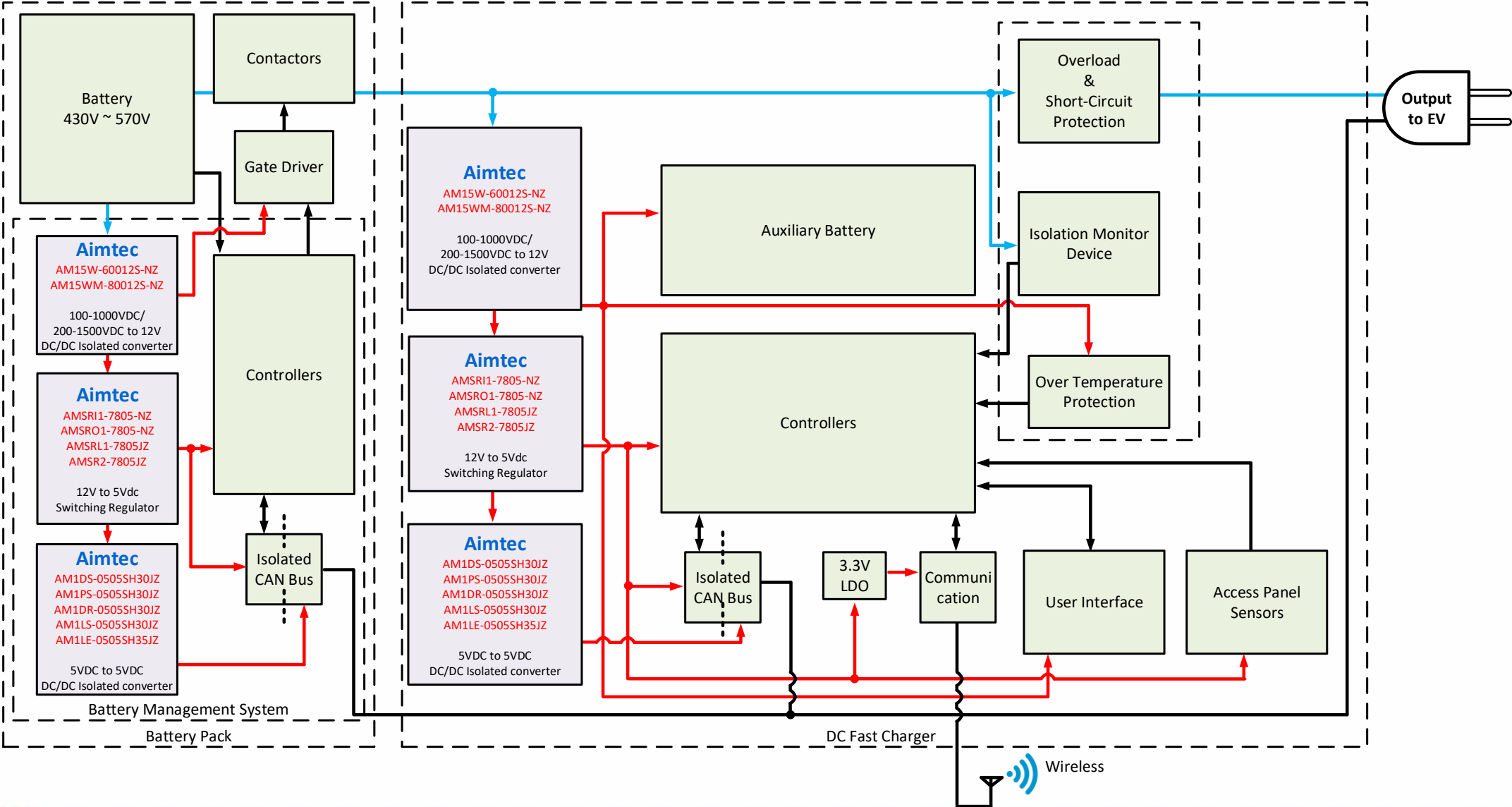
AC EV Charging Box with AME5-512T277NZ



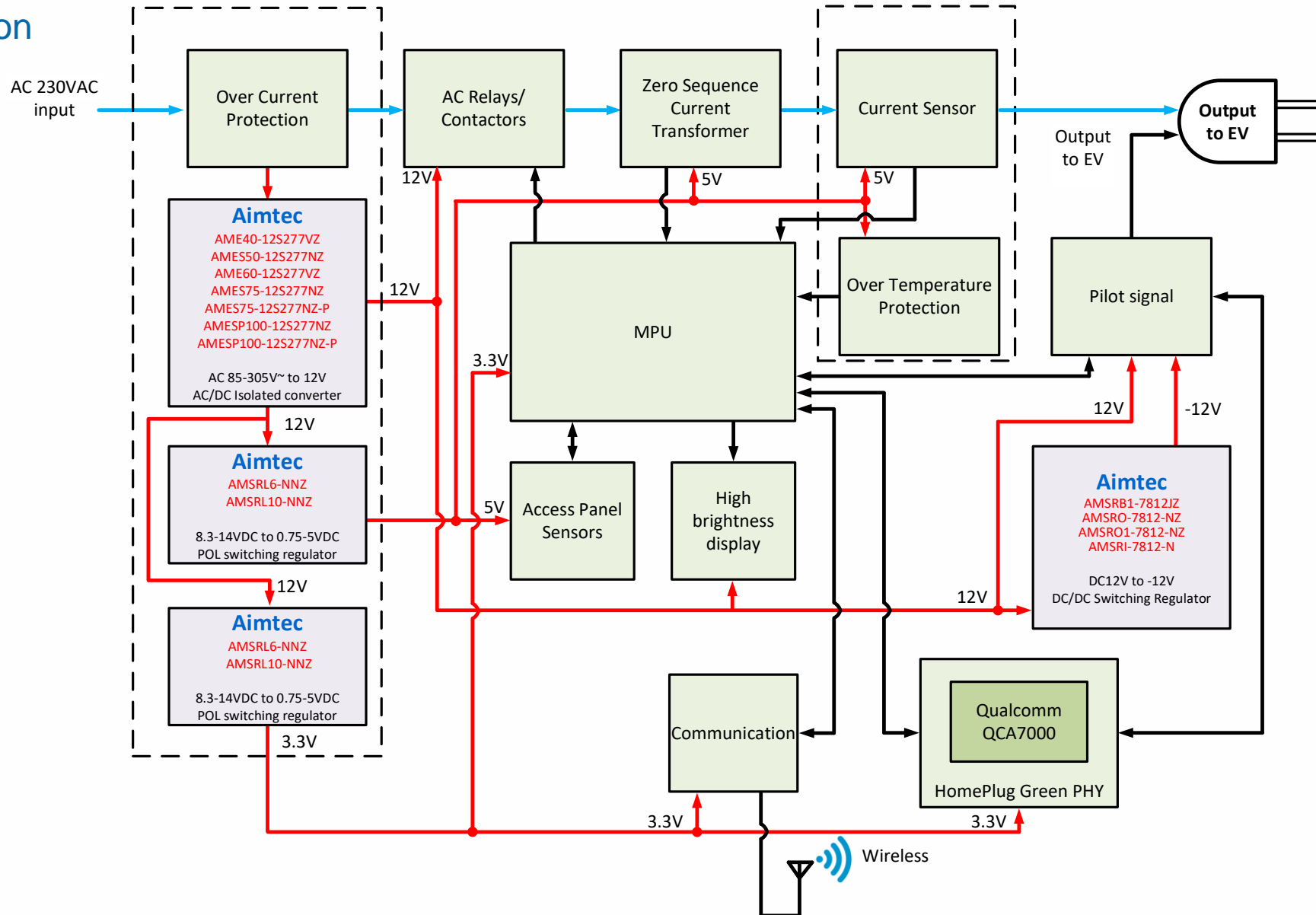
AC EV Charger

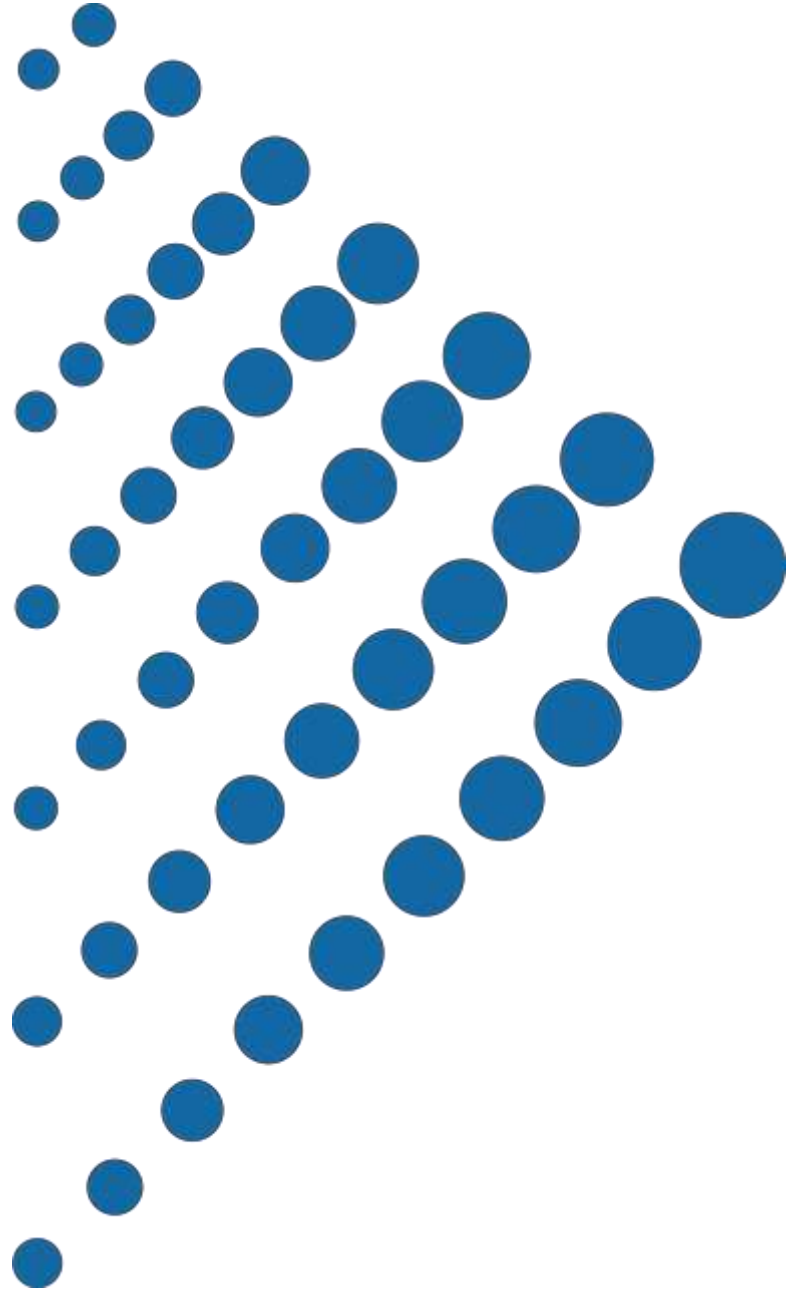


Portable DC EV Charger



AC charging station





Thank you